

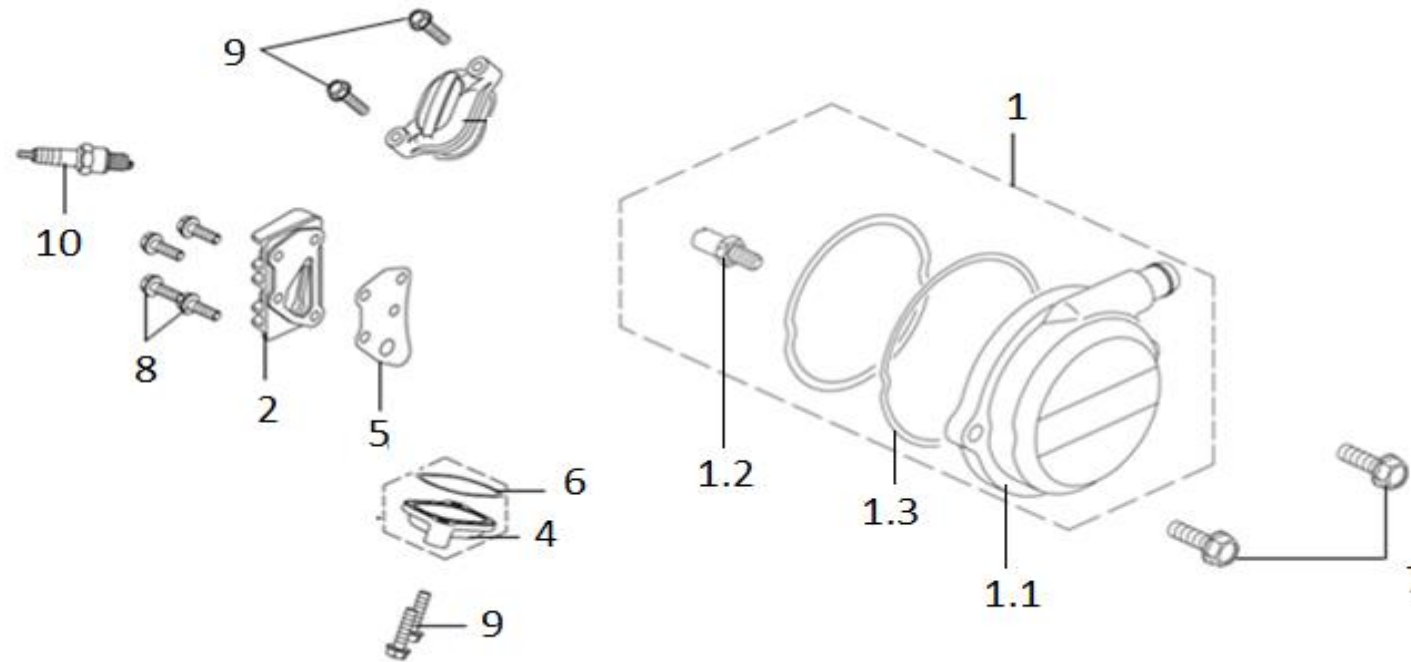
**COLOR CHART SPORT RIDER 125i -
(UA12AA-MY (VE1))**

0210Z-VE1-0001

| No | MAIN COLOR | COLOR CODE | BK-500C |
|----|---------------|----------------------------|--------------------------------------|
| | PART NO | COLOR NAME | BLACK |
| | | PART NAME | |
| 1 | 61100-VE1-000 | FR. FENDER | BK-500C |
| 2 | 64301-VE1-000 | R. FR. COVER | BK-500C |
| 3 | 64302-VE1-000 | L. FR. COVER | BK-500C |
| 4 | 64323-VE1-000 | R. BODY COVER GARNISH | BK-500C |
| 5 | 64324-VE1-000 | L. BODY COVER GARNISH | BK-500C |
| 6 | 53205-VE1-000 | FR. HANDLE COVER | BK-500C |
| 7 | 64310-VE1-000 | FR. TOP COVER | BK-500C |
| 8 | 83500-VE1-000 | RH. BODY COVER | BK-500C/NH105 |
| 9 | 83600-VE1-000 | LH. BODY COVER | BK-500C/NH105 |
| 10 | 64300-VE1-000 | R. UNDER COVER | BK-500C |
| 11 | 64400-VE1-000 | L. UNDER COVER | BK-500C |
| 12 | 81200-VE1-000 | RR. CARRIER | BK-500C |
| 13 | 64303-VE1-000 | R. MAIN PIPE INNER COVER | BK-500C |
| 14 | 64304-VE1-000 | L. MAIN PIPE INNER COVER | BK-500C |
| 15 | 64101-VE1-000 | MAIN PIPE COVER | BK-001U |
| 16 | 17501-VE1-000 | FUEL TANK TOP COVER | BK-001U |
| 17 | 53206-VE1-000 | RR. HANDLE COVER | BK-001U |
| 18 | 64500-VE1-000 | FR. UNDER SPOILER | BK-001U |
| 19 | 80106-VE1-000 | RR. INNER FENDER | BK-001U |
| 20 | 80100-VE1-000 | RR. FENDER | BK-001U |
| 21 | 64100-VE1-000 | CENTER COVER | BK-001U |
| 22 | 50350-VE1-000 | R. ENGINE HANGER PROTECTOR | BK-001U |
| 23 | 50360-VE1-000 | L. ENGINE HANGER PROTECTOR | BK-001U |
| 24 | 64102-VE1-000 | MAIN PIPE JOINT CAP | BK-001U |
| 25 | 64103-VE1-000 | ECU CHECK COVER | BK-001U |
| 26 | 80101-VE1-000 | LICENSE LIGHT COVER | BK-001U |
| 27 | | MARK & TRIPE | T4 (GRAY) T5 (RED) T6 (YELLOW) |
| 28 | 81250-VE1-010 | LUGGAGE BOX | BK-001U |
| 29 | 50630-VE1-000 | R. MAIN PIPE GARNISH | GY-098U |
| 30 | 50640-VE1-000 | L. MAIN PIPE GARNISH | GY-098U |
| 31 | 50650-VE1-000 | R. STEP HOLDER | BK-501U/S |
| 32 | 50750-VE1-000 | L. STEP HOLDER | BK-501U/S |
| 33 | 52100-VB4-010 | REAR FORK COMP. | GY-096S |
| 34 | 77200-VE1-000 | DOUBLE SEAT COMP. | BK-001L |
| 35 | 88110-VE1-000 | R. BACK MIRROR ASSY | BK-001L |
| 36 | 88120-VE1-000 | L. BACK MIRROR ASSY | BK-001L |

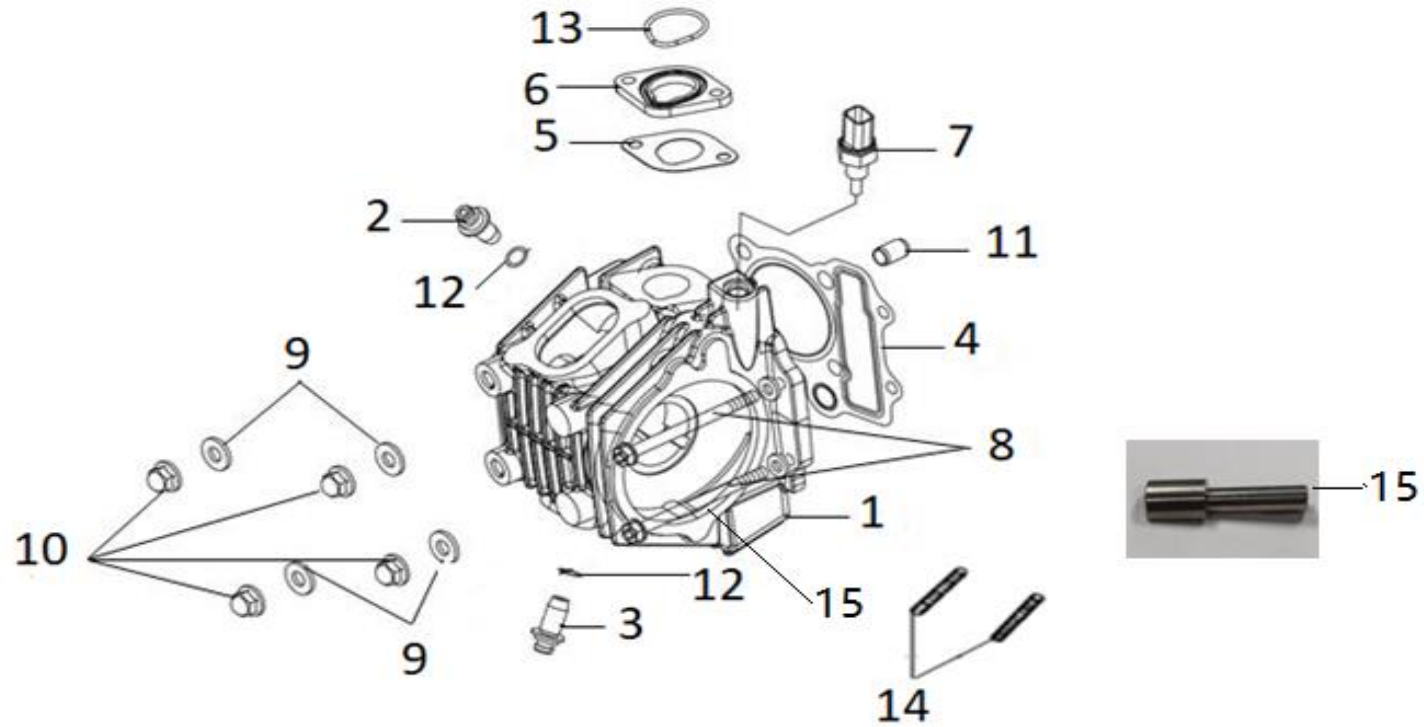
| No | MAIN COLOR | COLOR NAME | COLOR CODE |
|----|---------------|----------------------------|-------------------------------|
| | PART NO | PART NAME | BK-500C BLACK |
| 37 | 44701-VE1-000 | FR. WHEEL CAST | DV-042 (T0) |
| 38 | 42701-VE1-000 | RR. WHEEL CAST | DV-042 (T0) |
| 39 | 43100-X01-030 | REAR BRAKE PANEL | GY-096S |
| 40 | 52400-VBJ-000 | RR. CUSHION ASS'Y | BK-001C/ (T1) GY-096S/GOLD |
| 41 | 51400-VBA-000 | R. FR. CUSHION ASS'Y | GY-096S |
| 42 | 51500-VBA-000 | L. FR. CUSHION ASS'Y | GY-096S |
| 43 | 44800-VA1-000 | SPEEDOMETER GEAR BOX ASS'Y | GY-096S |
| 44 | 45100-VBA-000 | FR. CALIPER ASS'Y | YS-7407 (T2) |
| 45 | 40510-VBJ-000 | DRIVE CHAIN GUARD | BK-001U |
| 46 | 18318-VE1-010 | MUFFLER PROTECTOR | BK-001U/ S-420 |
| | | | |
| | | | |

E01 CYLINDER HEAD COVER



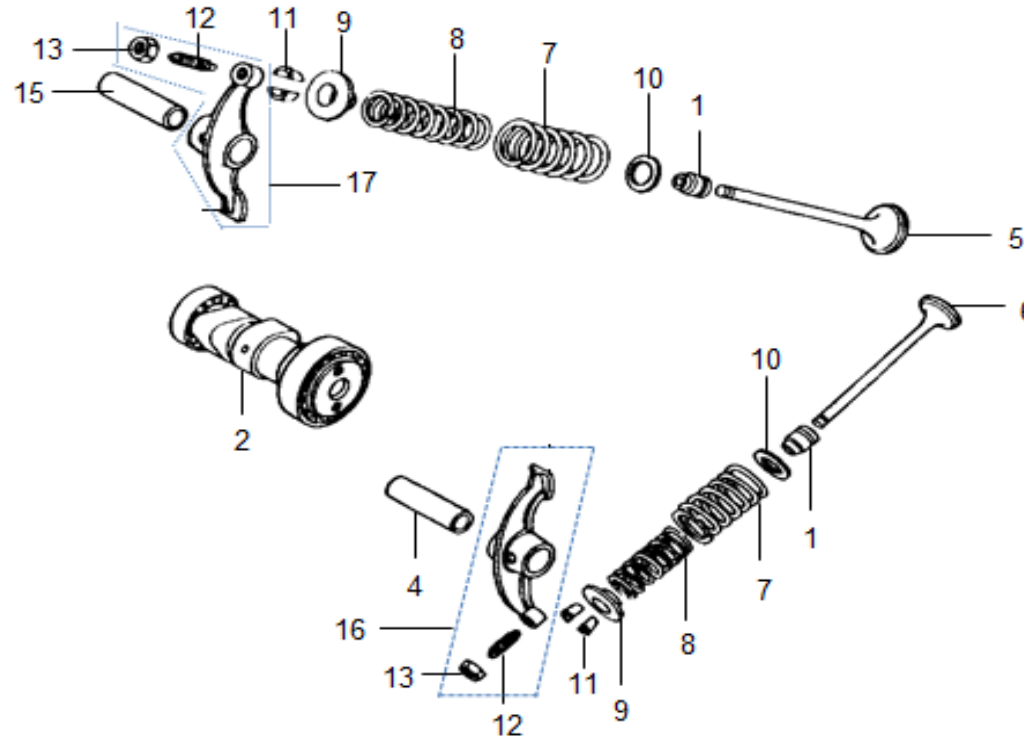
| No. | Part No. | Description | Unit | Remark |
|-----|-------------------|-------------------------------|------|----------------------------------------------------|
| 1 | 12300-U3A-000 | CYL. HEAD L.SIDE COVER ASSY. | X | Parent Part (Please Order Full Set of Child Parts) |
| 1.1 | 12310-U3A-0002-VN | CYLINDER HEAD L. SIDE COVER | 1 | Child Part Of 12300-U3A-000 (item E01-1) |
| 1.2 | 12323-M36-0000 | BREATHER BOLT | 1 | Child Part Of 12300-U3A-000 (item E01-1) |
| 1.3 | 12391-M3B-0000 | O-RING 83*2.5MM | 1 | Child Part Of 12300-U3A-000 (item E01-1) |
| 2 | 12331-M36-0301 | CYL. HEAD R. SIDE COVER | 1 | Child Part Of 1220A-VE1-0002 |
| 4 | 12361-VCA-0000 | TAPPET ADJUSTING HOLE CAP | 2 | |
| 5 | 12394-M36-0000 | CYL.HEAD R. SIDE COVER GASKET | 1 | Child Part Of 1220A-VE1-0002 |
| 6 | 91302-X01-0002 | O-RING 2.5 MM | 2 | |
| 7 | 95801-06020-00 | FLG. BOLT 6 * 20 | 2 | |
| 8 | 95801-06025-08 | FLANGE BOLT 6*25mm | 4 | Child Part Of 1220A-VE1-0002 |
| 9 | 96001-06020 | SH FLANGE BOLT 6*20 | 4 | |
| 10 | AC-1PCR7HSA-3 | PLUG. SPARK(NGK CR7HSA) | 1 | Child Part Of 1220A-VE1-0002 |

E02 CYLINDER HEAD



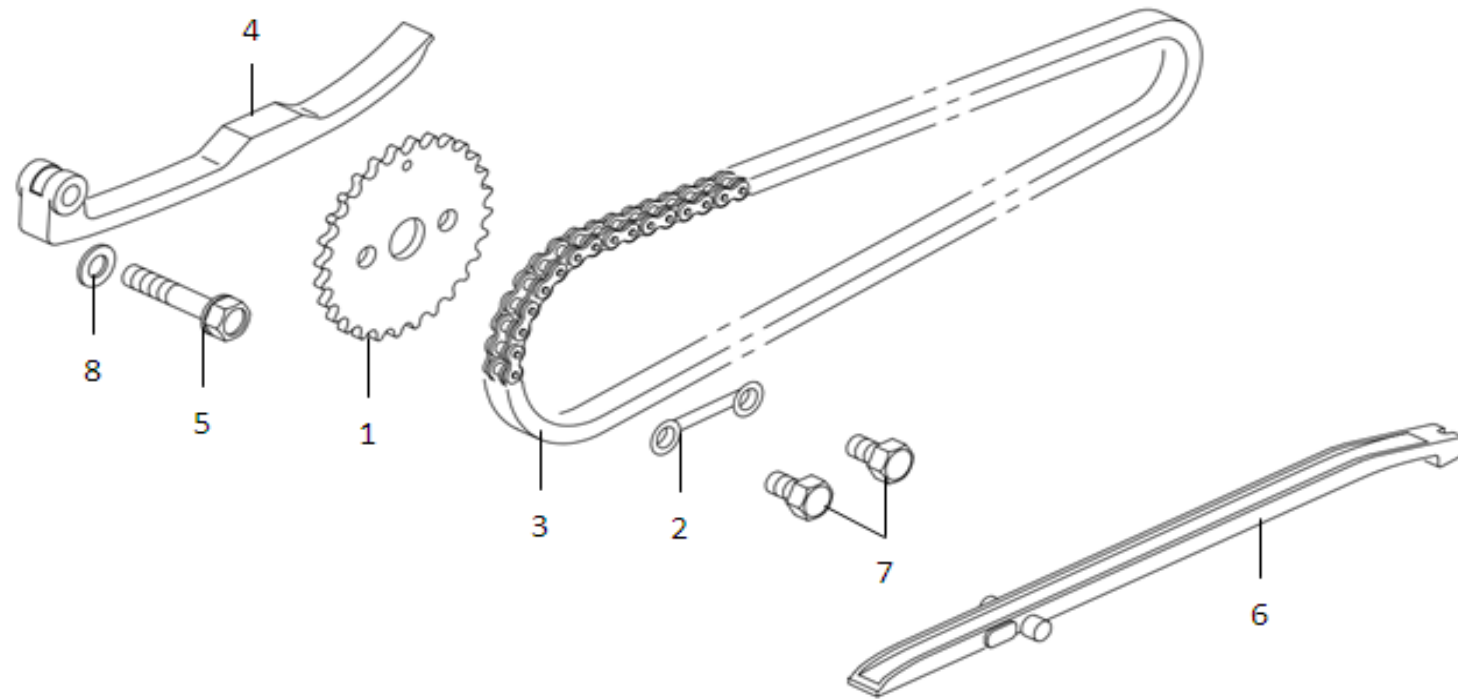
| No. | Part No. | Description | Unit | Remark |
|-----|-------------------|--------------------------------|------|------------------------------|
| 1 | 12200-VE1-0001 | CYLINDER HEAD COMP. | 1 | Child Part Of 1220A-VE1-0002 |
| 2 | 12237-VA2-300-VN | INLET VALVE GUIDE | X | Please order 12200-VE1-0001 |
| 3 | 12245-VA2-300-VN | EXHAUST VALVE GUIDE | X | Please order 12200-VE1-0001 |
| 4 | 12251-U3A-0000-VN | CYL. HEAD GASKET | 1 | |
| 5 | 16201-VE1-0000 | HEAD/IN. PIPE INSULATOR GASKET | 1 | |
| 6 | 16212-VE1-0000 | HEAD/IN.PIPE INSULATOR | 1 | |
| 7 | 37880-A5L-0000 | ENG TEMPERATURE SENSOR | 1 | Child Part Of 1220A-VE1-0002 |
| 8 | 90082-U3A-0000-VN | SPECIAL BOLT M6*90 | 2 | |
| 9 | 90442-M8Q-0000 | SEALING WASHER 8MM | 4 | |
| 10 | 90443-M36-0001 | CAP NUT 8MM | 4 | |
| 11 | 90703-M8Q-0003 | DOWEL PIN 10X14 | 2 | |
| 12 | 91305-M9Q-0001 | O-RING 9.0*1.6 | 2 | Child Part Of 1220A-VE1-0002 |
| 13 | 91308-VE1-0000 | INSULATOR SEAL | 1 | |
| 14 | 92700-A02-0001 | STUD BOLT 6*32 | 2 | Child Part Of 1220A-VE1-0002 |
| 15 | 14115-VCA-0000 | STOPPER PIN | 1 | |
| | 1220A-VE1-0002 | CYLINDER HEAD ASS'Y | 1 | Parent Part |

E03 CAM SHAFT - VALVE



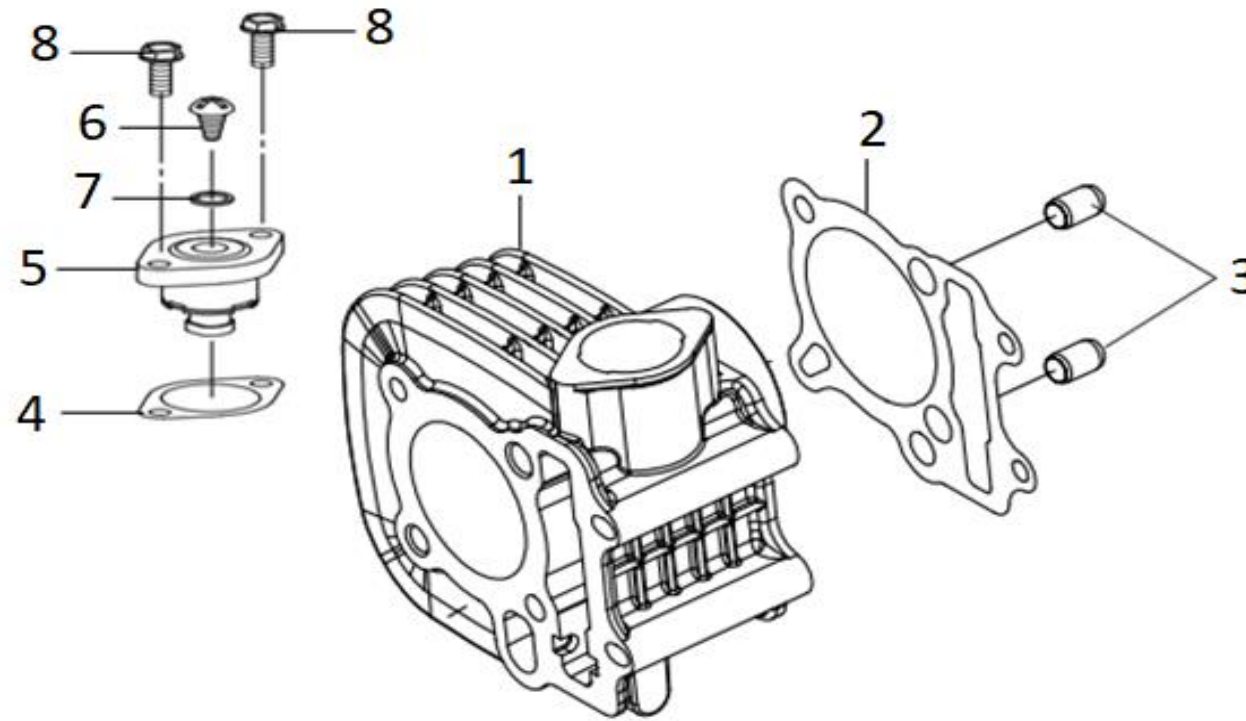
| No. | Part No. | Description | Unit | Remark |
|-----|-------------------|---------------------------|-------|------------------------------|
| 1 | 12209-H6B-0000 | VALVE STEM SEAL | 2 | Child Part Of 1220A-VE1-0002 |
| 2 | 14100-VCA-000-PH | CAM SHAFT COMP. | 1 | |
| 4 | 14451-M8Q-0000 | ROCKER ARM SHAFT | 1 | |
| 5 | 14711-VA1-0000-M2 | INLET VALVE | 1 | |
| 6 | 14721-VA1-0000-M2 | EXHAUST VALVE | 1 | |
| 7 | 14751-M8Q-0000 | VALVE OUTER SPG. | 2 | |
| 8 | 14761-M8Q-0000 | VALVE INNER SPG. | 2 | |
| 9 | 14771-M8Q-000 | VALVE SPG. RETAINER | 2 | |
| 10 | 14775-M9Q-000 | VALVE SPG. OUTER SEAT | 2 | |
| 11 | 14781-A01-A00-A | VALVE COTTER | 1 SET | 4PCS/SET |
| 12 | 90012-M9Q-0000 | TAPPET ADJ. SCREW | 2 | |
| 13 | 90206-HLK-000 | TAPPET ADJ. SCREW NUT | 2 | |
| 15 | 14451-M36-0001 | IN VALVE ROCKER ARM SHAFT | 1 | |
| 16 | 14430-VE1-0000 | VALVE ROCKER ARM ASS'Y | 1 | |
| 17 | 1443A-VWB-0001 | VALVE ROCKER ARM ASS'Y. | 1 | |

E04 CAM SPROCKET



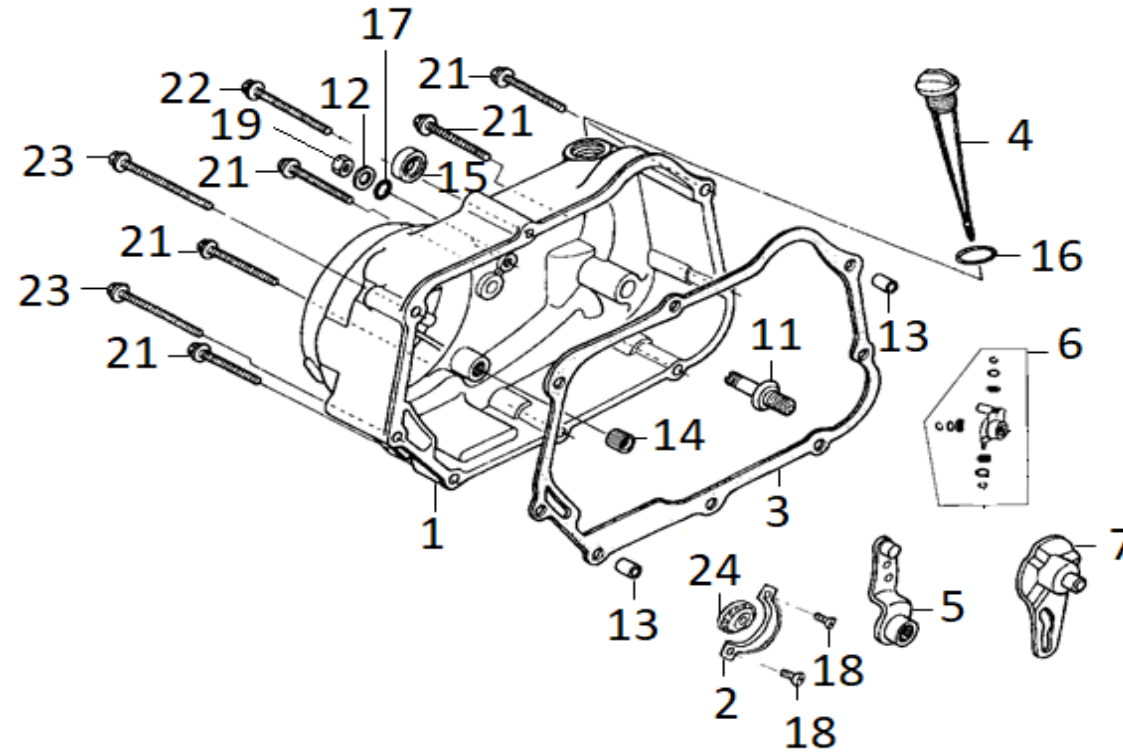
| No. | Part No. | Description | Unit | Remark |
|-----|-------------------|----------------------|------|--------|
| 1 | 14105-VJ6-0000 | CAM SPROCKET | 1 | |
| 2 | 14322-U3A-0001-VN | TONGUED WASHER | 1 | |
| 3 | 14401-VE1-0000-K2 | CAM CHAIN (88L) | 1 | |
| 4 | 14500-M3B-0001 | CAM CHAIN TENSIONER | 1 | |
| 5 | 14535-X01-0100 | TENSIONER PIVOT BOLT | 1 | |
| 6 | 14610-U3A-0000 | CAM CHAIN GUIDE | 1 | |
| 7 | 90083-X01-000 | LOCK BOLT 6MM | 2 | |
| 8 | 90483-X01-0001 | WASHER 6MM | 1 | |

E05 CYLINDER



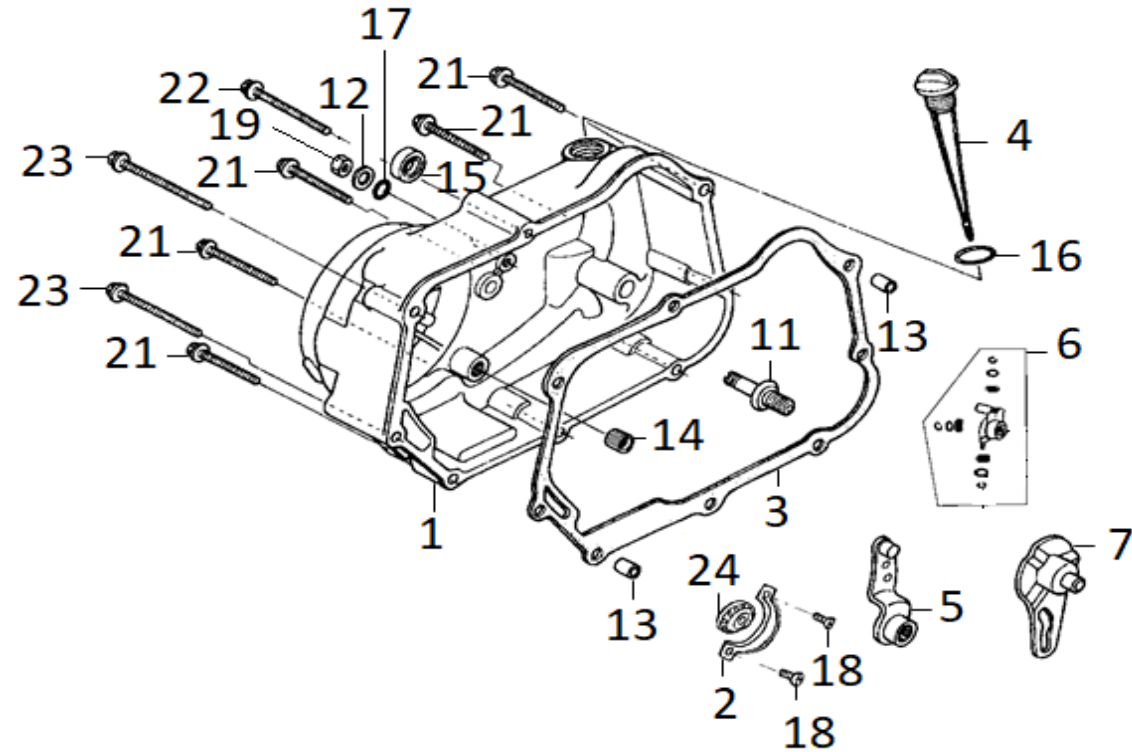
| No. | Part No. | Description | Unit | Remark |
|-----|-------------------|-------------------------|------|--------|
| 1 | 12100-U3A-0003-VN | CYLINDER COMP. | 1 | |
| 2 | 12191-U3A-0001-VN | CYLINDER GASKET | 1 | |
| 3 | 90703-M8Q-0003 | DOWEL PIN 10X14 | 2 | |
| 4 | 14523-M92-0001 | TENSIONER LIFTER GASKET | 1 | |
| 5 | 14520-M3F-0000 | TENSIONER LIFTER ASSY. | 1 | |
| 6 | 90005-M9Q-0000 | PAN SCREW 6*6 MM | 1 | |
| 7 | 91306-M9B-0000 | O-RING 9.5*1.5 MM | 1 | |
| 8 | 90001-M9Q-0000 | SH. FLANGE BOLT 6X22 | 2 | |

E06 RIGHT CRANK CASE COVER



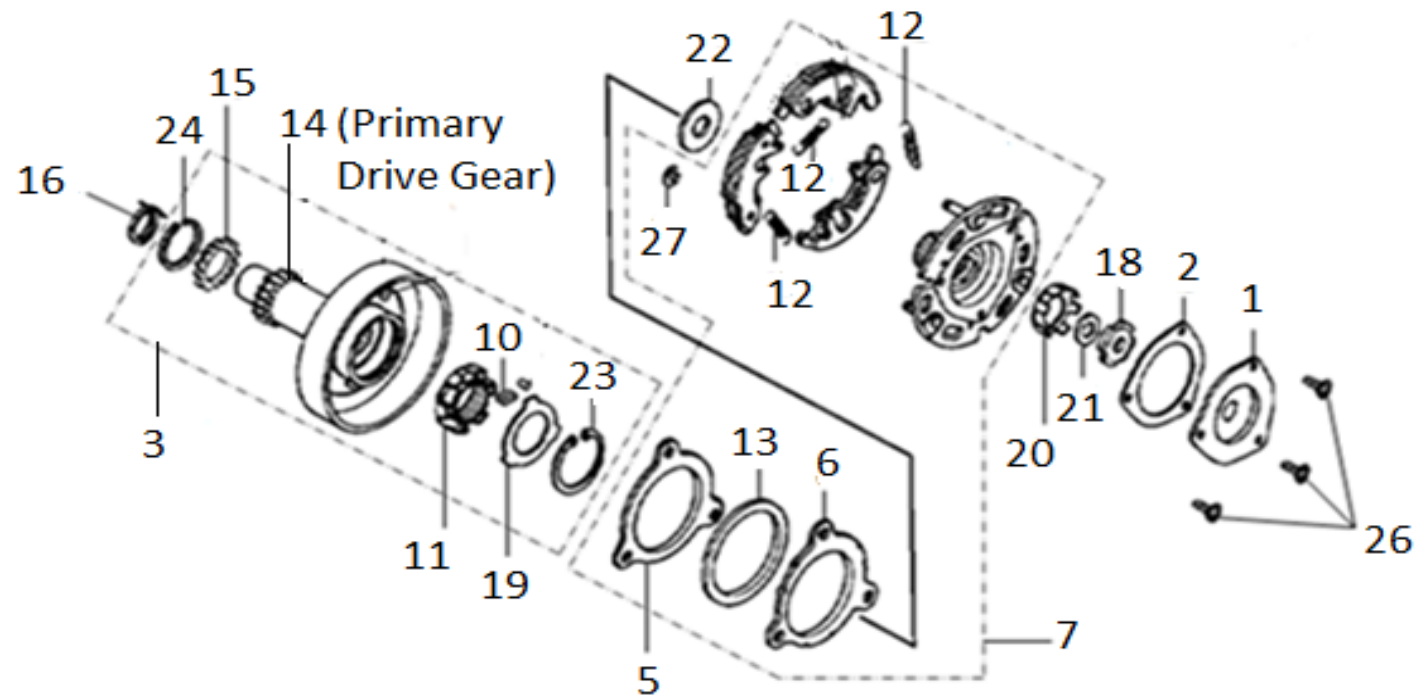
| No. | Part No. | Description | Unit | Remark |
|-----|-------------------|----------------------------|------|--------|
| 1 | 11330-VE1-0002-IC | R. CRANK CASE COVER COMP. | 1 | |
| 2 | 11338-M3G-0003 | BEARING RETAINER A | 1 | |
| 3 | 11394-U3A-0001-VN | R. CRANK CASE COVER GASKET | 1 | |
| 4 | 15651-VE1-0000 | OIL LEVEL GAUGE | 1 | |
| 5 | 22810-A05-0000-VN | CLUTCH LEVEL COMP. | 1 | |
| 6 | 22820-M3G-0001 | CLUTCH LIFTER BOSS ASS'Y | 1 | |
| 7 | 22820-A05-0000-VN | CLUTCH LIFTER PLATE COMP | 1 | |
| 11 | 22864-U4A-0000-VN | CLUTCH ADJUSTING BOLT | 1 | |
| 12 | 90485-A08-0001 | WASHER 8MM | 1 | |
| 13 | 90702-M8Q-0000 | DOWEL PIN 8X12 | 2 | |
| 14 | 91021-148-0040 | NEEDLE BEARING HK1010 | 1 | |
| 15 | 91202-VA2-0000 | OIL SEAL 13.7X24X5 | 1 | |
| 16 | 91307-VA2-0002 | O RING 18X3 | 1 | |
| 17 | 91312-A01-A001-VN | O RING 8MM | 1 | |
| 18 | 93600-06010-0A | FLAT SCREW 6X10 | 2 | |
| 19 | 94030-08000-00 | HEX NUT 8mm | 1 | |
| 21 | 96001-06040-00 | SH. FLANGE BOLT 6X40 | 5 | |
| 22 | 96001-06065-00 | SH. FLANGE BOLT 6X65 | 1 | |

E06 RIGHT CRANK CASE COVER



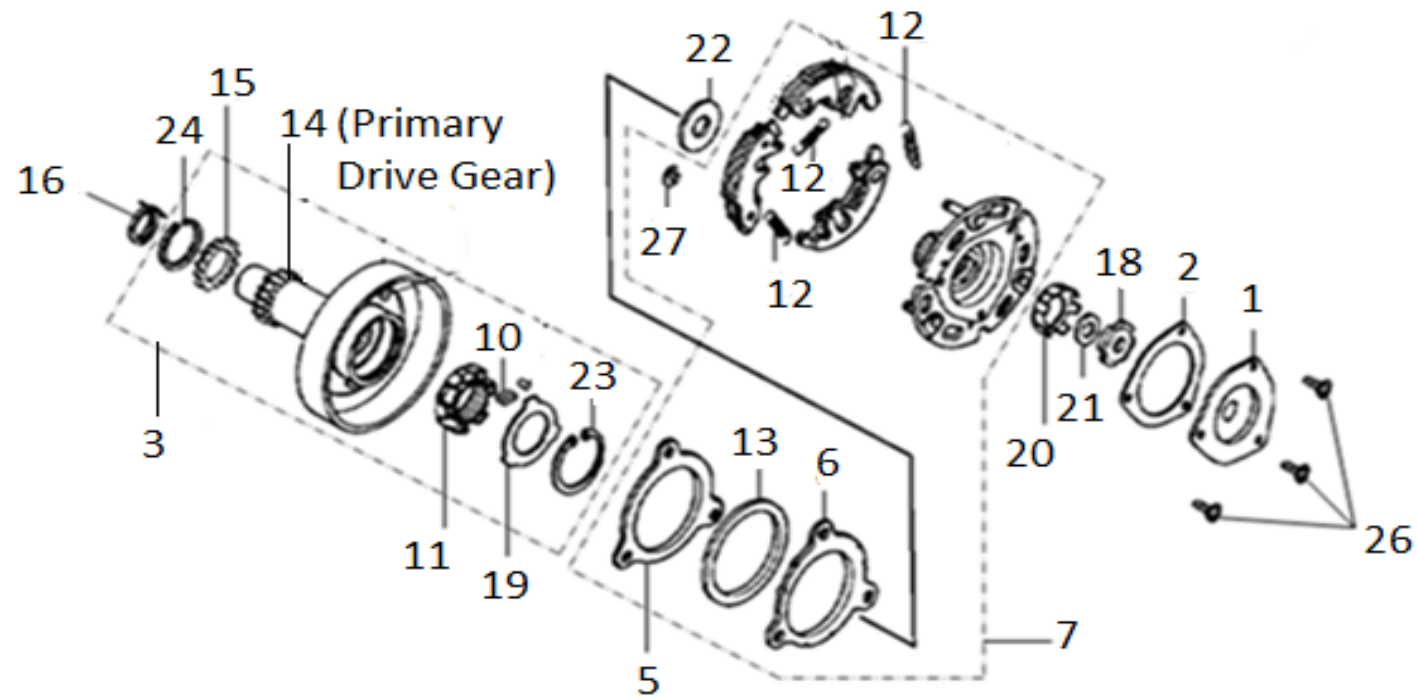
| No. | Part No. | Description | Unit | Remark |
|-----|----------------|-----------------------------|------|--------|
| 23 | 96001-06080-00 | SH. FLANGE BOLT 6X80 | 2 | |
| 24 | 96140-60010-00 | RADIAL BALL BRG. 6001 (CJB) | 1 | |

E07 CENTRIFUGAL CLUTCH ASSY



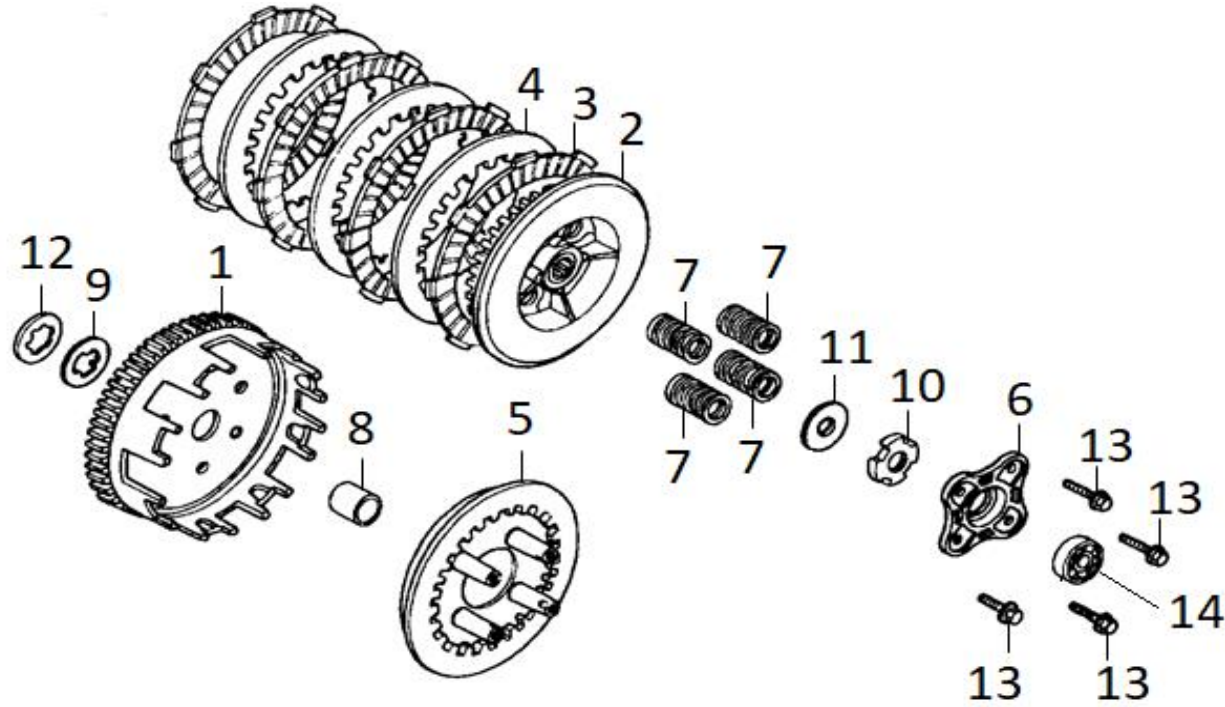
| No. | Part No. | Description | Unit | Remark |
|-----|---------------------|------------------------------|------|--------|
| 1 | 15436-M3G-0100 | OIL FILER COVER | 1 | |
| 2 | 15439-VN7-0000 | OIL FILTER COVER GASKET | 1 | |
| 3 | 2210B-U4A-0000-M-VN | CENTRIFUGAL CLUTCH OUTER SET | 1 | |
| 5 | 22111-A05-0000 | CENTR. CLUTCH PLATE A | 1 | |
| 6 | 22112-M3G-0100 | CENTR. CLUTCH PLATE B | 1 | |
| 7 | 22300-U4A-0000-VN | CLUTCH DRIVE PLATE ASSY. | 1 | |
| 10 | 22606-M3G-0000 | ONE-WAY RETAINER SPRING | 6 | |
| 11 | 22630-M3G-0001 | ONE WAY CLUTCH INNER COMP. | 1 | |
| 12 | 22641-M3G-0100 | CLUTCH SPRING B | 3 | |
| 13 | 23117-M3G-0100 | SPRING PLATE | 1 | |
| 14 | 23120-M3G-0102 | PRIMARY DRIVE GEAR | 1 | |
| 15 | 23122-M3G-0301 | SUB GEAR | 1 | |
| 16 | 23124-M3G-0100 | SUB GEAR SPG. | 1 | |
| 18 | 90231-A05-0001-VN | LOCK NUT 14 mm | 1 | |
| 19 | 90401-M3G-0000 | WASHER 30*45*0.8 | 1 | |
| 20 | 90431-M3G-0001 | LOCK WASHER 14mm | 1 | |
| 21 | 90432-A01-A000 | LOCK WASHER B | 1 | |
| 22 | 90434-A05-000-VN | WASHER 17*23*3 | 1 | |

E07 CENTRIFUGAL CLUTCH ASSY



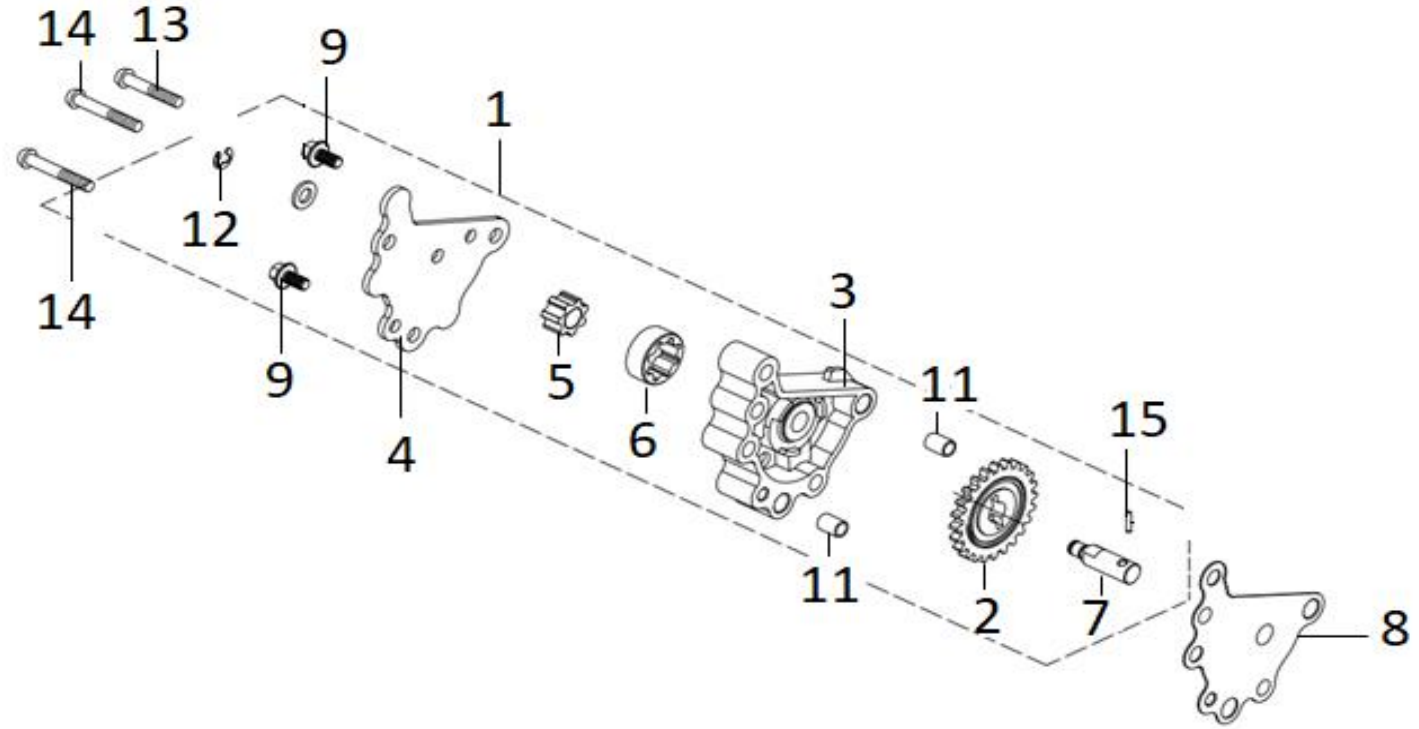
| No. | Part No. | Description | Unit | Remark |
|-----|----------------|-------------------|------|--------|
| 23 | 90455-M3G-0000 | CIR-CLIP IN. 45mm | 1 | |
| 24 | 90603-M3G-0000 | SET RING 23mm | 1 | |
| 26 | 93500-05008-OA | PAN SCREW 5*8 | 3 | |
| 27 | 90605-166-720 | E-RING 7mm | 3 | |

E08 CLUTCH OUTER ASSY



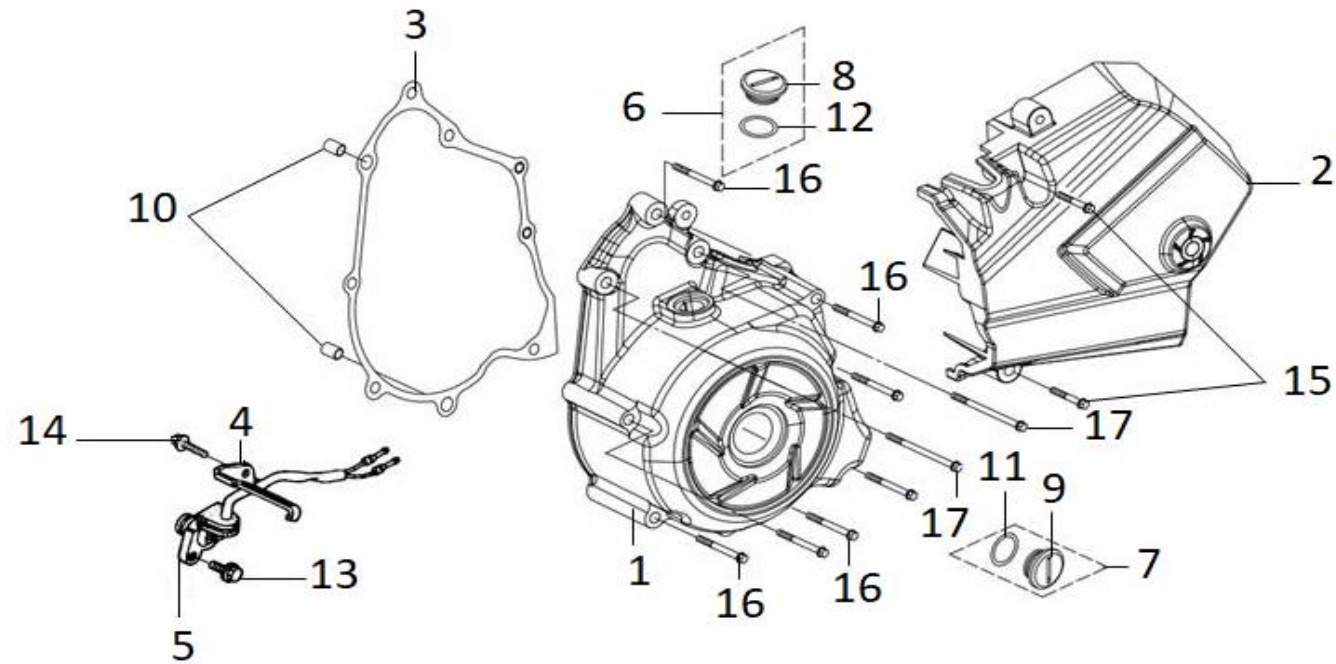
| No. | Part No. | Description | Unit | Remark |
|-----|--------------------|-------------------------------------|------|-----------------------------|
| 1 | 22000-U4A-0000 | CLUTCH OUTER SET | X | Please Order 2200A-VE1-0002 |
| 2 | 22121-U4A-000 | CLUTCH CENTER | X | Please Order 2212A-VE1-0002 |
| 3 | 2220A-107-0000 | CLUTCH FRICTION DISK SET (4pcs/set) | 1 | |
| 4 | 22311-U4A-000 | CLUTCH PLATE | X | Please Order 2212A-VE1-0002 |
| 5 | 22351-U4A-000 | CLUTCH PRESSURE PLATE | X | Please Order 2212A-VE1-0002 |
| 6 | 22361-U4A-000-M-VN | CLUTCH LIFFTER PLATE | 1 | |
| 7 | 22401-VE1-0001 | CLUTCH SPRING A | 4 | |
| 8 | 23112-U4A-000-M-VN | CLUTCH CENTER GUIDE | 1 | |
| 9 | 23217-M3G-0002 | SET RING 17 mm | 1 | |
| 10 | 90231-A05-0001-VN | LOCK NUT 14 mm | 1 | |
| 11 | 90432-A01-A000 | LOCK WASHER B | 1 | |
| 12 | 90464-A01-A00-VN | SPLINE WASHER 17 mm | 1 | |
| 13 | 95701-06022-08 | FLANGE BOLT 6X22 | 4 | |
| 14 | 96100-60000-00 | RADIAL BALL BEARING 6000 (TPI) | 1 | |
| 15 | 2212A-VE1-0002 | CLUTCH CENTER ASSY | 1 | Parent Part |
| 16 | 2200A-VE1-0002 | CLUTCH OUTER ASSY | 1 | Parent Part |

E09 OIL PUMP ASSY



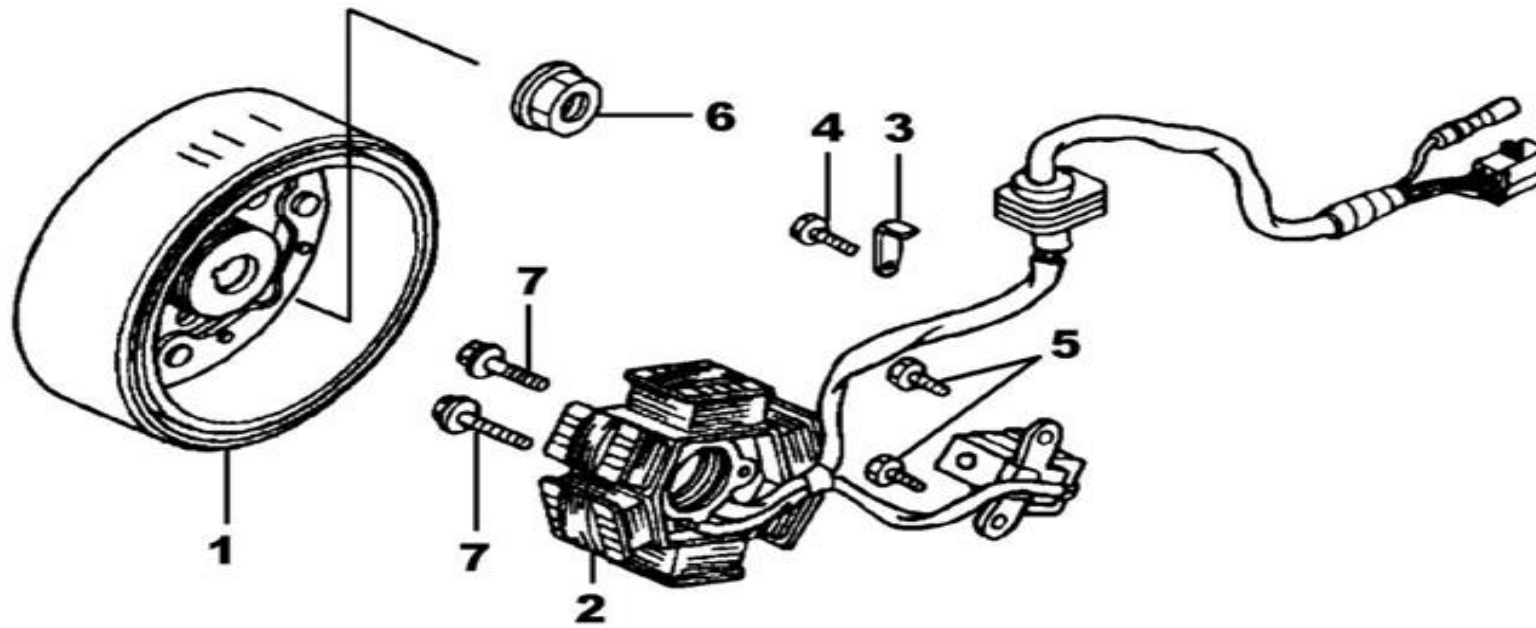
| No. | Part No. | Description | Unit | Remark |
|-----|-------------------|-----------------------|------|--------|
| 1 | 15100-VA2-900-VN | OIL PUMP ASS'Y | 1 | |
| 2 | 15133-VA2-0001 | OIL PUMP DRIVEN GEAR | 1 | |
| 3 | 15311-VA2-0002 | OIL PUMP BODY | 1 | |
| 4 | 15321-VA2-0002 | OIL PUMP BODY COVER | 1 | |
| 5 | 15331-VA2-0001 | OIL PUMP INNER ROTOR | 1 | |
| 6 | 15332-VA2-0001 | OIL PUMP OUTER ROTOR | 1 | |
| 7 | 15382-VA2-0001 | OIL PUMP DRIVER SHAFT | 1 | |
| 8 | 15119-SA5-A000-VN | OIL PUMP GASKET | 1 | |
| 9 | 90002-VA2-0000 | FLANGE BOLT 5X10 | 2 | |
| 11 | 90702-M8Q-0000 | DOWEL PIN 8X12 | 2 | |
| 12 | 94540-05018 | E-RING 5MM | 1 | |
| 13 | 95701-06035-00 | FLANGE BOLT 6X35 | 1 | |
| 14 | 95701-06040-00 | FLANGE BOLT 6X40 | 2 | |
| 15 | 96220-30158 | ROLLER 3X15.8 | 1 | |

E10 LEFT CRANK CASE COVER



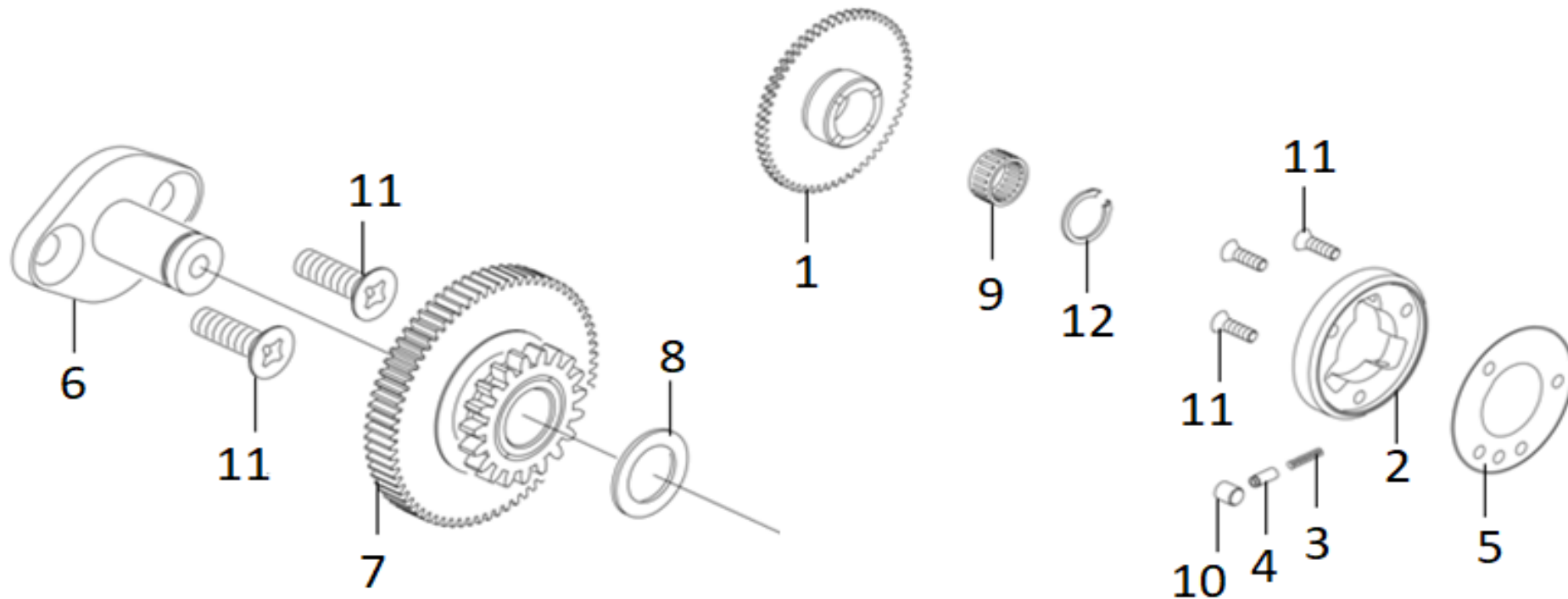
| No. | Part No. | Description | Unit | Remark |
|-----|-------------------|----------------------------|------|--------|
| 1 | 11341-VE1-0000-IC | L. CRANK CASE COVER | 1 | |
| 2 | 11360-VE1-0002-IC | L. CRANK CASE REAR COVER | 1 | |
| 3 | 11395-U3A-0001-VN | L. CRANK CASE COVER GASKET | 1 | |
| 4 | 32961-U3A-0000-VN | A. C. G. CORD CLAMPER (B) | 1 | |
| 5 | 35759-CT3-A000-VN | CHANGE SW. ASS'Y | 1 | |
| 6 | 9008A-VA2-0000-GY | A. C. G. CAP ASS'Y 14MM | 1 | |
| 7 | 9008B-M8Q-0000 | A. C. G. CAP ASS'Y 30MM | 1 | |
| 8 | 90084-VBA-0000-IC | A. C. G. CAP 14MM | 1 | |
| 9 | 90087-VBA-0000-IC | A. C. G. CAP 30MM | 1 | |
| 10 | 90702-M8Q-0000 | DOWEL PIN 8X12 | 2 | |
| 11 | 91308-M9Q-0000 | O RING 27x2.0MM | 1 | |
| 12 | 91304-VA2-0000 | O-RING 13.8X2.5 | 1 | |
| 13 | 96001-06012-07 | SH. FLANGE BOLT 6X12 | 1 | |
| 14 | 96001-06016-00 | SH. FLANGE BOLT 6X16 | 1 | |
| 15 | 96001-06028-07 | SH. FLANGE BOLT 6*28 | 2 | |
| 16 | 96001-06065-00 | SH. FLANGE BOLT 6X65 | 7 | |
| 17 | 96001-06080-00 | SH. FLANGE BOLT 6X80 | 2 | |

E11 GENERATOR



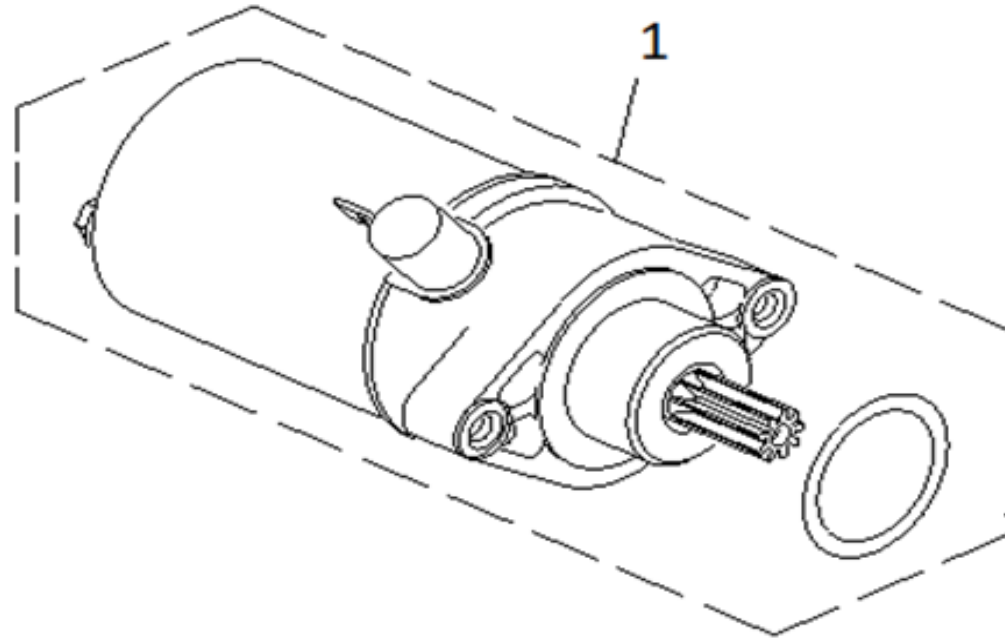
| No. | Part No. | Description | Unit | Remark |
|-----|----------------|-----------------------------|------|--------|
| 1 | 3111A-VE1-0001 | FLYWHEEL ASSY | 1 | |
| 2 | 31120-VE1-0001 | STATOR COMP. | 1 | |
| 3 | 31141-VA2-0000 | A.C. GENERATOR CORD CLAMPER | 1 | |
| 4 | 93500-05006-0A | PAN SCREW 5X6 | 1 | |
| 5 | 93500-05010-0A | PAN SCREW 5X10 | 2 | |
| 6 | 94050-12000 | FLANGE NUT 12mm | 1 | |
| 7 | 96001-06032-00 | SH. FLANGE BOLT 6X32 | 2 | |

E12 STARTING CLUTCH



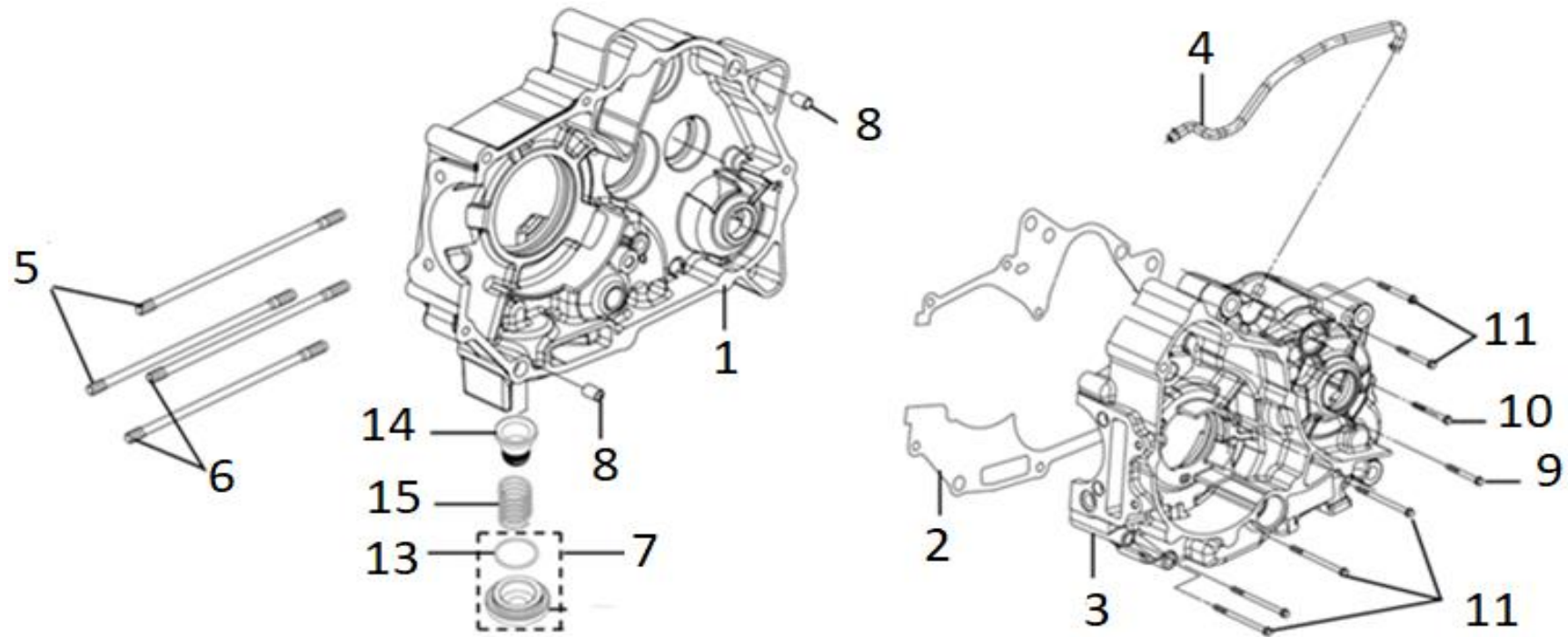
| No. | Part No. | Description | Unit | Remark |
|-----|-------------------|------------------------------|------|--------------------------------------------|
| 1 | 2811A-U3A-0000-M2 | STARTING SPROCKET COMP. | 1 | |
| 2 | 28120-A01-0000 | STARTING CLUTCH OUTER COMP. | X | Please Order 2812A-A01-A000-VN |
| 3 | 28125-M7Q-0001 | STARTING CLUTCH ROLLER SPR. | 3 | |
| 4 | 28126-253-0305 | STARTING ROLLER SPR. CAP | 3 | |
| 5 | 28128-A01-A000-VN | STARTING CLUTCH SIDE PLATE | 1 | |
| 6 | 28132-X01-0001 | STARTER REDUCTION GEAR SHAFT | 1 | |
| 7 | 28133-M36-0000 | STARTER REDUCTION GEAR | 1 | |
| 8 | 90473-X01-0001 | THRUST WASHER 13MM | 1 | |
| 9 | 91021-A01-A00 | NEEDLE BEARING 20MM | X | included in 2811A-U3A-0000-M2 (item E12-1) |
| 10 | 91101-M8Q-0000 | ROLLER 10X10 | 3 | |
| 11 | 93600-06016-0A | FLAT SCREW 6*16mm | 5 | |
| 12 | 94510-13000-00 | EX. CIRCLIP 13mm | 1 | |
| 14 | 2812A-A01-A000-VN | STARTING CLUTCH OUTER | 1 | Parent Part |

E13 STARTING MOTOR



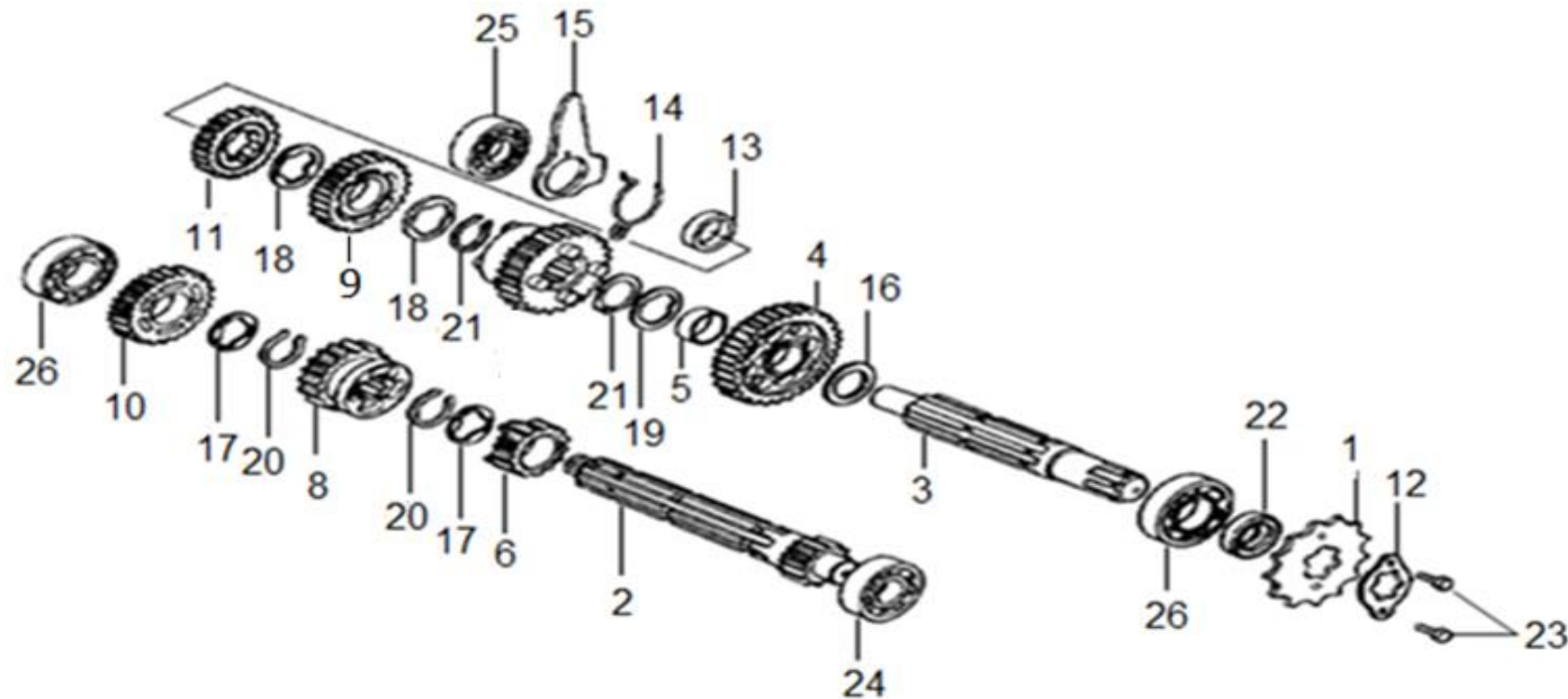
| No. | Part No. | Description | Unit | Remark |
|-----|----------------|------------------|------|-------------|
| 1 | 31200-X04-0005 | START MOTOR ASSY | 1 | Parent Part |

E14 CRANK CASE COMP



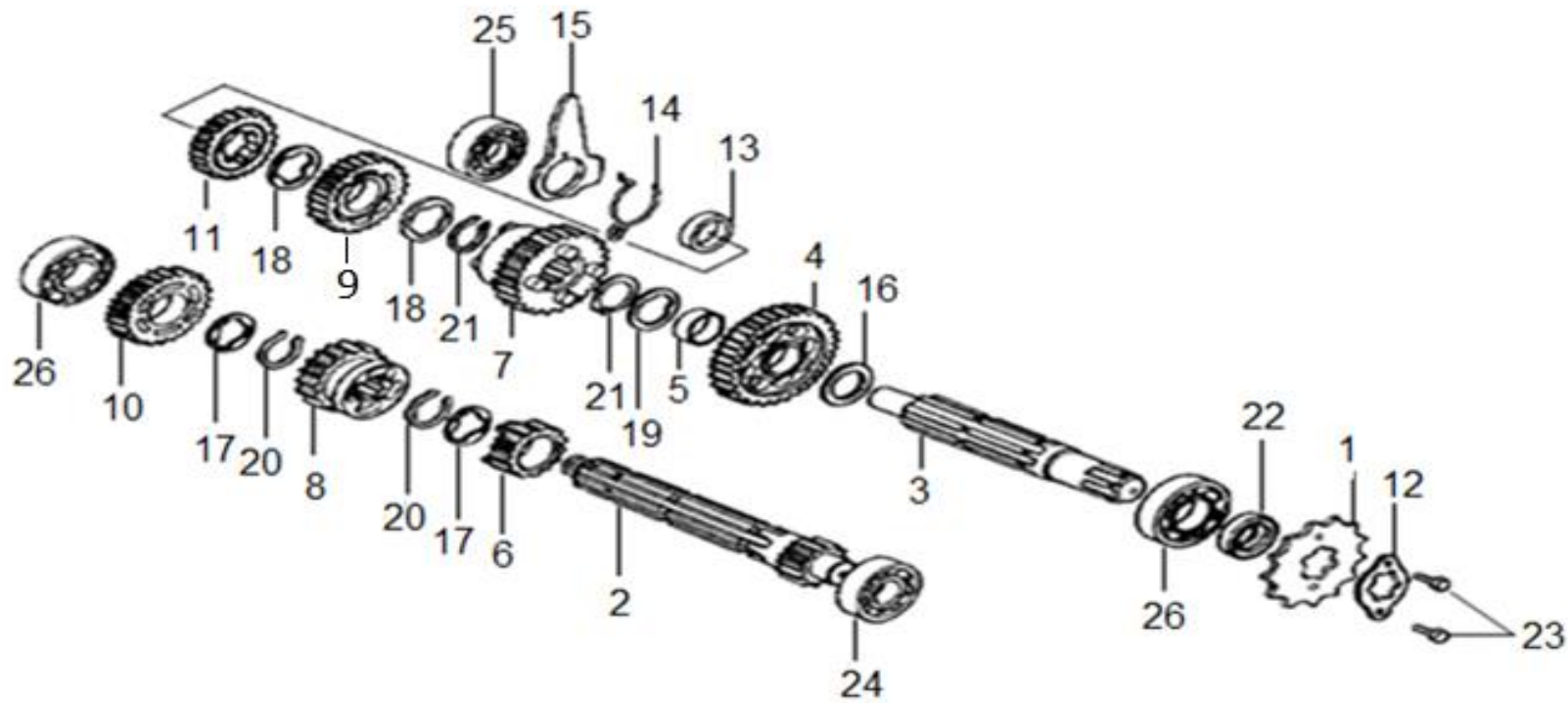
| No. | Part No. | Description | Unit | Remark |
|-----|-------------------|----------------------------|------|--------|
| 1 | 11100-VE1-0001-FG | R. CRANK CASE COMP. | 1 | |
| 2 | 11191-VE1-0000 | CRANK CASE GASKET | 1 | |
| 3 | 11200-VE1-0001-FG | L. CRANK CASE COMP. | 1 | |
| 4 | 1576A-VE1-0001 | BREATHER TUBE ASSY | 1 | |
| 5 | 90031-U3A-0001-VN | CYL STUD BOLT A | 2 | |
| 6 | 90032-U3A-0001-VN | CYL STUD BOLT B | 2 | |
| 7 | 1236A-M9T-000 | TAPPET ADJ. HOLE CAP ASS'Y | 1 | |
| 8 | 90703-M8Q-0003 | DOWEL PIN 10X14 | 2 | |
| 9 | 96001-06040-00 | SH. FLANGE BOLT 6X40 | 1 | |
| 10 | 96001-06050-00 | SH. FLANGE BOLT 6X50 | 1 | |
| 11 | 96001-06060-00 | SH. FLANGE BOLT 6X60 | 6 | |
| 13 | 91302-M9Q-0000 | O-RING 30.8X3.2 | 1 | |
| 14 | 15421-H66-0000-VN | OIL FILTER SCREEN | 1 | |
| 15 | 15426-M9Q-000 | OIL FILTER SCREEN SPRING | 1 | |

E16 TRANSMISSION



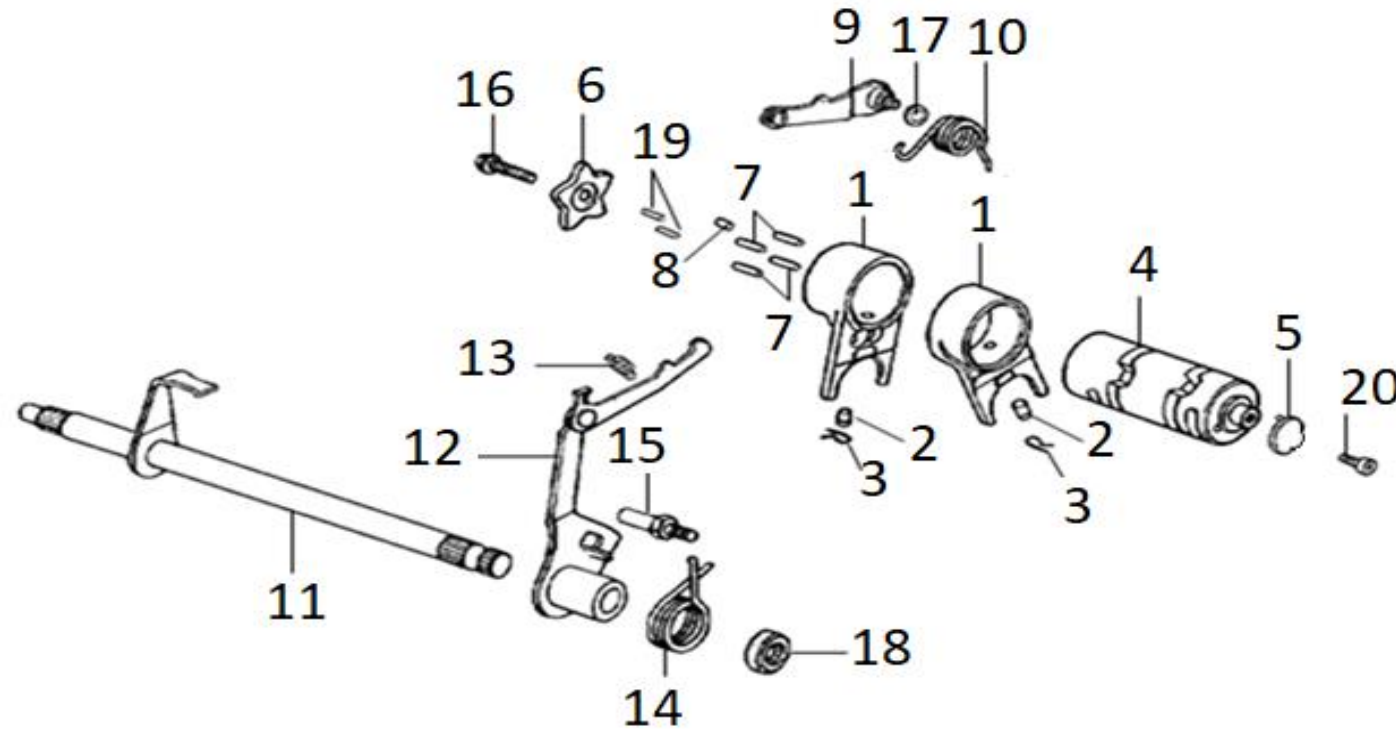
| No. | Part No. | Description | Unit | Remark |
|-----|-------------------|-----------------------------|------|--------|
| 1 | 23801-VAH-0001 | DRIVE SPROKET (15T) | 1 | |
| 2 | 23211-VA2-0000 | MAIN SHAFT (12T) | 1 | |
| 3 | 23221-VA2-0000-M1 | COUNTER SHAFT | 1 | |
| 4 | 23421-VA2-0000-M1 | C-1 GEAR (34T) | 1 | |
| 5 | 23422-VA2-0000 | BUSH 20X9 | 1 | |
| 6 | 23431-VED-000-VN | M-2 GEAR (16T) | 1 | |
| 8 | 23451-VED-000-VN | M-3 GEAR (20T) | 1 | |
| 9 | 23461-VED-000-VN | C-3 GEAR (27T) | 1 | |
| 10 | 23471-VA2-0000 | M-4 GEAR (24T) | 1 | |
| 11 | 23481-VA2-0001 | C-4 GEAR (23T) | 1 | |
| 12 | 23802-M36-0000 | DRIVE SPROKET FIXING PLATE | 1 | |
| 13 | 23911-VA2-0000 | COLLAR | 1 | |
| 14 | 24305-VA2-0000-M1 | GEAR SHIFT DRUM LOCK SPRING | 1 | |
| 15 | 24306-VA2-0000 | GEAR SHIFT DRUM LOCK PLATE | 1 | |
| 16 | 90452-A13-000 | THRUST WASHER 17mm | 1 | |
| 17 | 90461-VA2-0000-M1 | SPLINE WASHER 17MM | 2 | |
| 18 | 90462-VA2-0000 | SPLINE WASHER 20mm | 2 | |

E16 TRANSMISSION



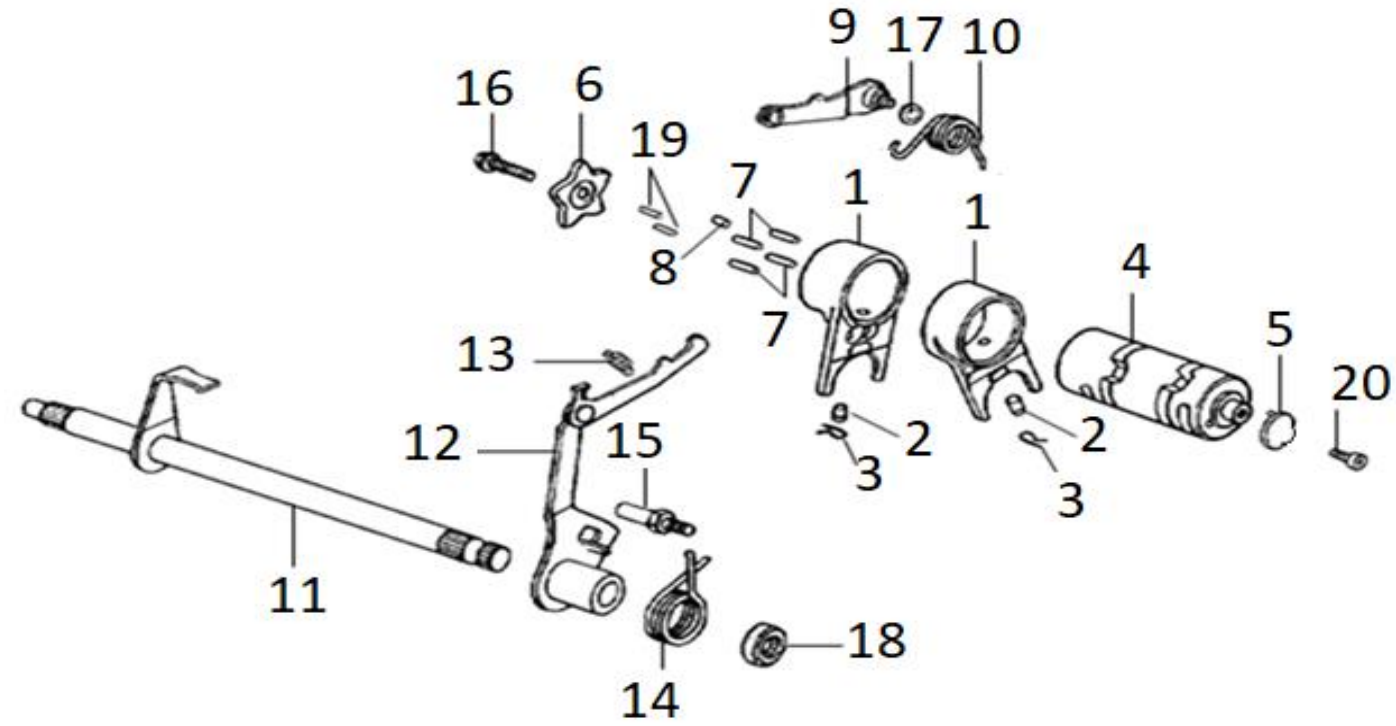
| No. | Part No. | Description | Unit | Remark |
|-----|----------------|---------------------------------|------|--------|
| 19 | 90463-VA2-0000 | SPLINE WASHER 20X1.2 | 1 | |
| 20 | 90601-A08-0001 | CIR-CLIP 17MM | 2 | |
| 21 | 90605-A08-0002 | SET RING 20MM | 2 | |
| 22 | 91203-GB5-761 | OIL SEAL 17X29X5 | 1 | |
| 23 | 92101-06010-0H | HEX BOLT 6X10 | 2 | |
| 24 | 96140-60010-00 | RADIAL BALL BEARING 6001 (CJB) | 1 | |
| 25 | 96100-62013-00 | RADIAL BALL BEARING 6201 (TPI) | 1 | |
| 26 | 96120-62030-10 | RADIAL BALL BEARING 6203 (TPI) | 2 | |

E17 GEAR SHIFT DRUM



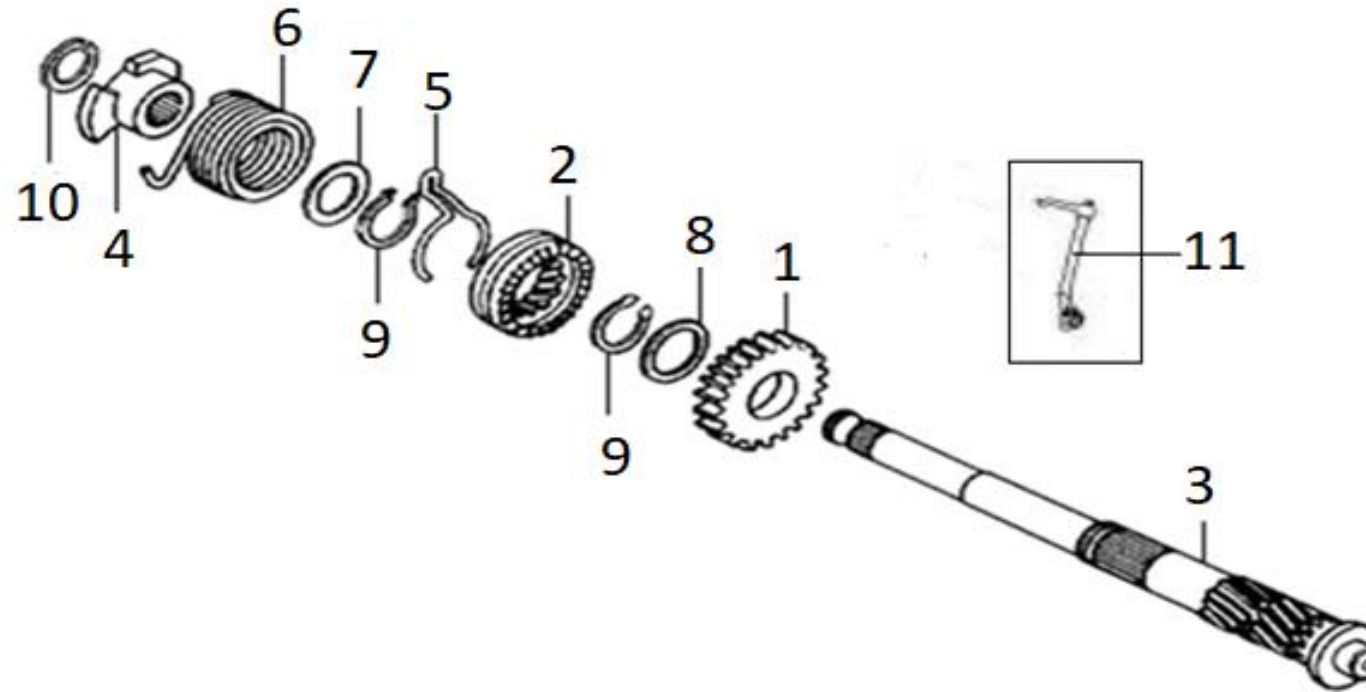
| No. | Part No. | Description | Unit | Remark |
|-----|-------------------|--------------------------------|------|----------------------------------------------------|
| 1 | 24211-SE1-000 | GEAR SHIFT FORK | X | Please Order Parent Part 2430A-SE1-0000-VN (E17-4) |
| 2 | 24261-SE1-000 | GEAR SHIFT FORK GUIDE PIN | X | Please Order Parent Part 2430A-SE1-0000-VN (E17-4) |
| 3 | 24263-SE1-000 | GEAR SHIFT FORK GUIDE PIN CLIP | X | Please Order Parent Part 2430A-SE1-0000-VN (E17-4) |
| 4 | 2430A-SE1-0000-VN | GEAR SHIFT DRUM ASSY | 1 | Parent Part |
| 5 | 35753-CT2-A000-VN | CHANGE SW CONTACT | 1 | |
| 6 | 24411-SE1-000 | GEAR SHIFT CAM | X | Please Order Parent Part 2430A-SE1-0000-VN (E17-4) |
| 7 | 24421-SE1-000 | GEAR SHIFT DRUM PIN | X | Please Order Parent Part 2430A-SE1-0000-VN (E17-4) |
| 8 | 24422-SE1-000 | GEAR SHIFT DRUM PIN 8.7MM | X | Please Order Parent Part 2430A-SE1-0000-VN (E17-4) |
| 9 | 24430-VA2-0002 | SHIFT DRUM STOPPER COMP. | 1 | |
| 10 | 24435-VA2-0001 | GEAR SHIFT DRUM STOPPER SPRING | 1 | |
| 11 | 24610-VA2-3002 | GEAR SHIFT SPINDLE COMP. | 1 | |
| 12 | 24630-VA2-0003 | GEAR SHIFT ARM COMP. | 1 | |
| 13 | 24641-041-0002 | GEAR SHIFT ARM SPRING | 1 | |
| 14 | 24651-M8Q-0000 | GEAR SHIFT RETURN SPRING | 1 | |
| 15 | 24652-A08-0001 | SHIFT ARM STOPPER PIN | 1 | |
| 16 | 90071-SE1-000 | KNOCK BOLT 6MM | X | Please Order Parent Part 2430A-SE1-0000-VN (E17-4) |
| 17 | 90479-X01-0000 | WASHER 6mm | 1 | |
| 18 | 91208-A05-0000-VN | OIL SEAL 11.6X24X10 | 1 | |

E17 GEAR SHIFT DRUM



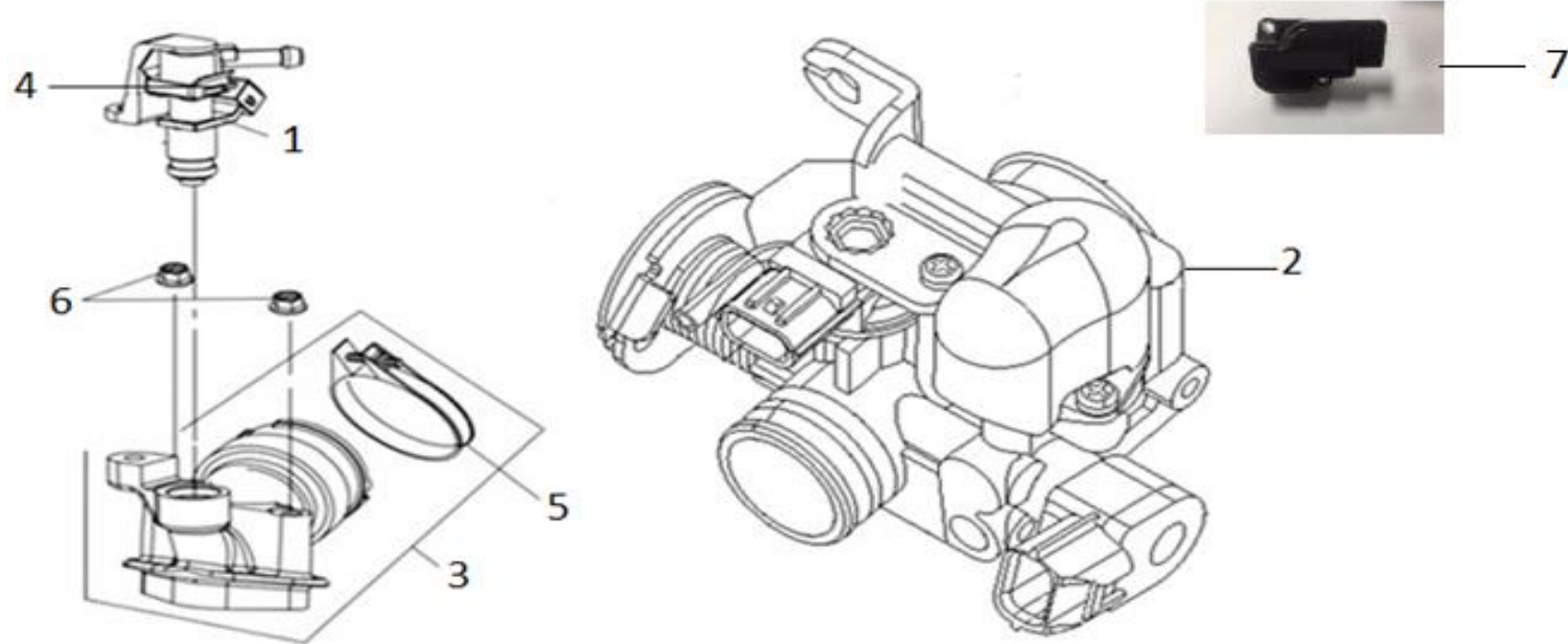
| No. | Part No. | Description | Unit | Remark |
|-----|----------------|------------------|------|--------|
| 19 | 96220-30085 | ROLLER 3X8.5 | 2 | |
| 20 | 96700-06016-00 | SOCKET BOLT 6x16 | 1 | |

E18 KICK STARTER SPINDLE



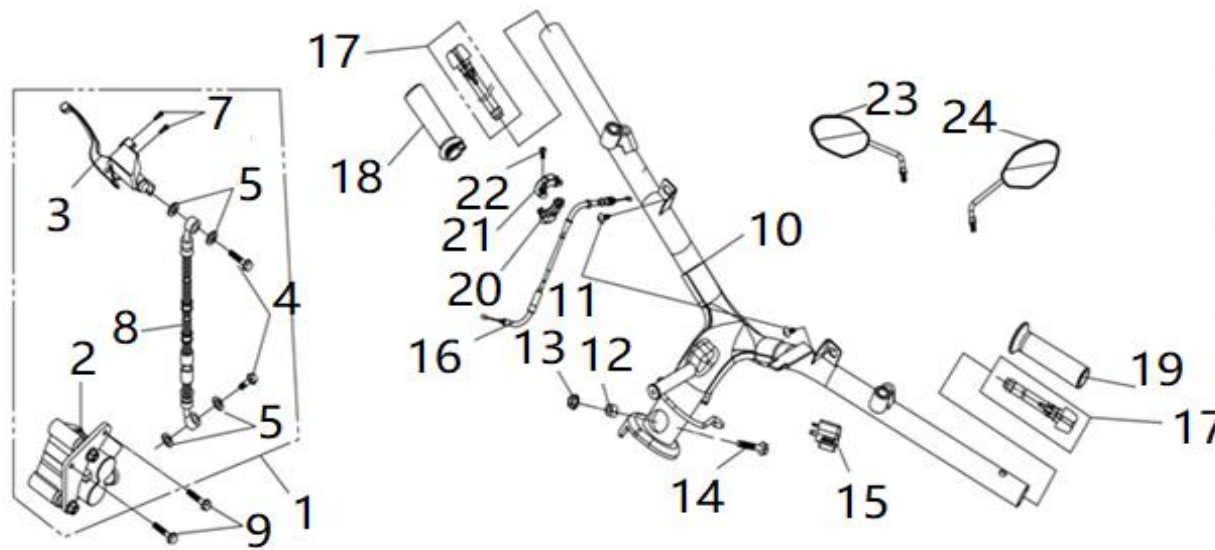
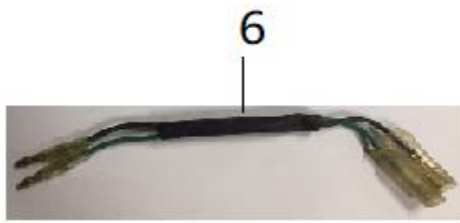
| No. | Part No. | Description | Unit | Remark |
|-----|------------------|------------------------------|------|-------------------------------|
| 1 | 28211-M8Q-000 | KICK STARTER PINION (22T) | X | Please Order 28210-A01-A10-VN |
| 2 | 28221-A13-0000 | STARTER DRIVE RATCHET | 1 | |
| 3 | 28251-VA2-0000 | KICK STARTER SPINDLE | X | Please Order 28210-A01-A10-VN |
| 4 | 28262-A01-A000 | KICK SPRING RETAINER | X | Please Order 28210-A01-A10-VN |
| 5 | 28271-M8Q-000 | STARTER PINION FRICTION SPR. | X | Please Order 28210-A01-A10-VN |
| 6 | 28281-M8Q-000 | KICK STARTER SPRING | X | Please Order 28210-A01-A10-VN |
| 7 | 90452-A13-000 | WASHER 17MM | 1 | |
| 8 | 90454-B04-0002 | THRUST WASHER 20MM | 1 | |
| 9 | 90605-A08-0002 | SET RING 20MM | 2 | |
| 10 | 94510-16000-00 | CIR-CLIP 16MM | 1 | |
| 11 | 28300-VBA-0002 | KICK STARTER ARM ASSY | 1 | |
| | 28210-A01-A10-VN | KICK SPINDLE ASSY | 1 | |

E19 THROTTLE BODY ASS'Y



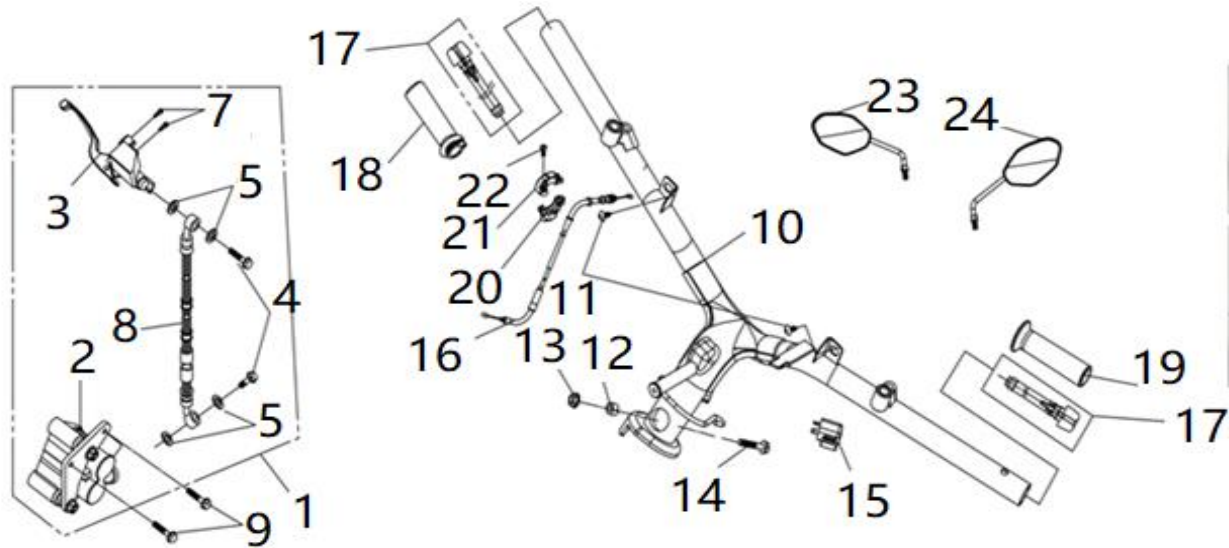
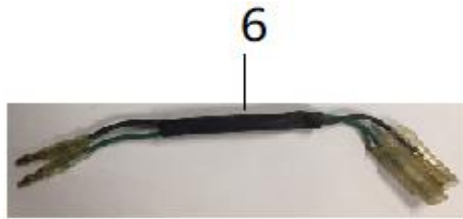
| No. | Part No. | Description | Unit | Remark |
|-----|-------------------|-------------------------------------------|------|----------------------------------------------------|
| 1 | 06414-VE1-0000 | FUEL INJECTOR | 1 | Child Part Of 1711A-VE1-000 (item E19-3) |
| 2 | 16401-VE1-0000 | THROTTLE BODY ASS'Y | 1 | |
| 3 | 1711A-VE1-000 | INLET PIPE ASSY. | X | Parent Part (Please Order Full Set of Child Parts) |
| | 06415-AVA-000-L1 | O-RING | 1 | Child Part Of 1711A-VE1-000 (item E19-3) |
| | 06416-HNS-000 | SEAL-RING | 1 | Child Part Of 1711A-VE1-000 (item E19-3) |
| | 96001-06022-00 | SH FLANGE BOLT 6X22 | 1 | Child Part Of 1711A-VE1-000 (item E19-3) |
| | 17110-VE1-0000 | INLET PIPE | 1 | Child Part Of 1711A-VE1-000 (item E19-3) |
| 4 | 17120-AVA-0000-L1 | FUEL INJECTOR CAP | 1 | |
| 5 | 91308-VE1-0000 | INSULATOR SEAL | 1 | |
| 6 | 94050-06000 | FLANGE NUT 6MM | 2 | |
| 7 | 1640A-VF3-0000 | THROTTLE POSITION SENSOR SERVICE PART SET | 1 | |

F01 HANDLE PIPE COMP



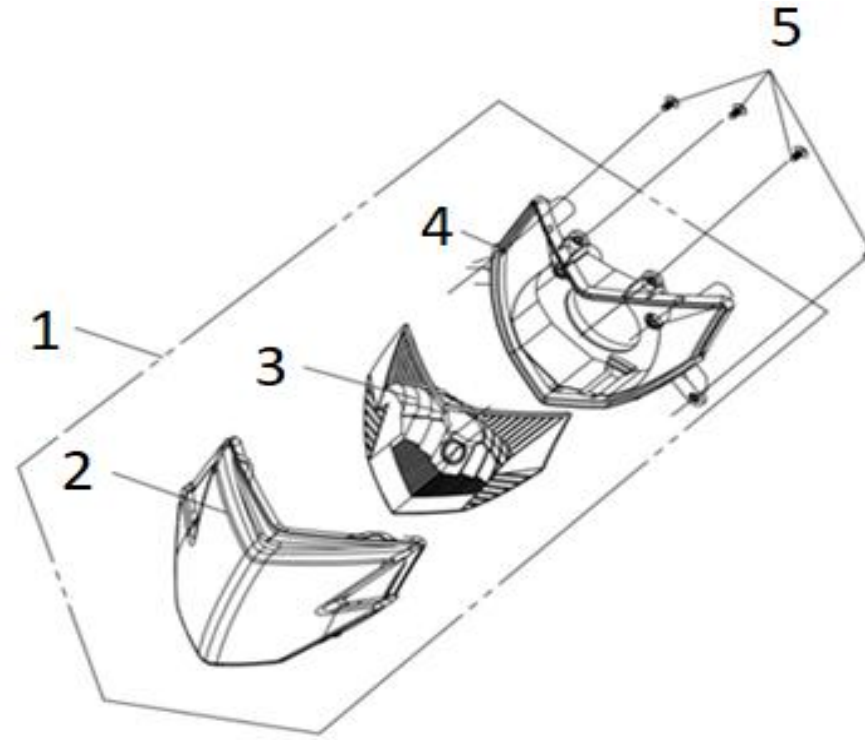
| No. | Part No. | Description | Unit | Remark |
|-----|----------------------|--------------------------------|------|--------|
| 1 | 4550A-VBA-9002-T2-VN | FR. BRAKE ASSY (YS-7407) | 1 | |
| 2 | 45100-VBA-0002-T2-VN | FR CALIPER ASSY (YS-7407 (T2)) | 1 | |
| 3 | 45500-VBA-0001-VN | FR. M/C ASS'Y | 1 | |
| 4 | 90145-MS9-611 | OIL BOLT 10*22 | 2 | |
| 5 | 90545-300-000 | OIL BOLT WASHER | 4 | |
| 6 | 35342-M3G-0000 | FR. STOP SW. CORD COMP. | 1 | |
| 7 | 96700-06012-08-L1 | SOCKET BOLT 6*12 | 2 | |
| 8 | 45126-VBA-0001-VN | FR. BRK. HOSE ASS'Y | 1 | |
| 9 | 90122-VA1-0000 | FLANGE BOLT 8X28 | 2 | |
| 10 | 53100-VE1-0002 | HANDLE PIPE COMP. | 1 | |
| 11 | 93903-35220 | TAPPING SCREW 5*12 | 1 | |
| 12 | 53125-M9Q-000 | HANDLE SET COLLAR | 1 | |
| 13 | 94050-10070 | FLANGE NUT 10mm | 1 | |
| 14 | 90106-VT3-0002-L1 | FLANGE BOLT 10*50 | 1 | |
| 15 | 38300-T53-010 | WINKER RELAY ASS'Y | 1 | |
| 16 | 17910-VE1-0002 | THROTTLE CABLE COMP. | 1 | |
| 17 | 53102-VB4-000-PH | HANDLE PIPE WT. ASS'Y | 2 | |
| 18 | 53140-XPA-0001-VN | RH. HNDL. GRIP | 1 | |

F01 HANDLE PIPE COMP



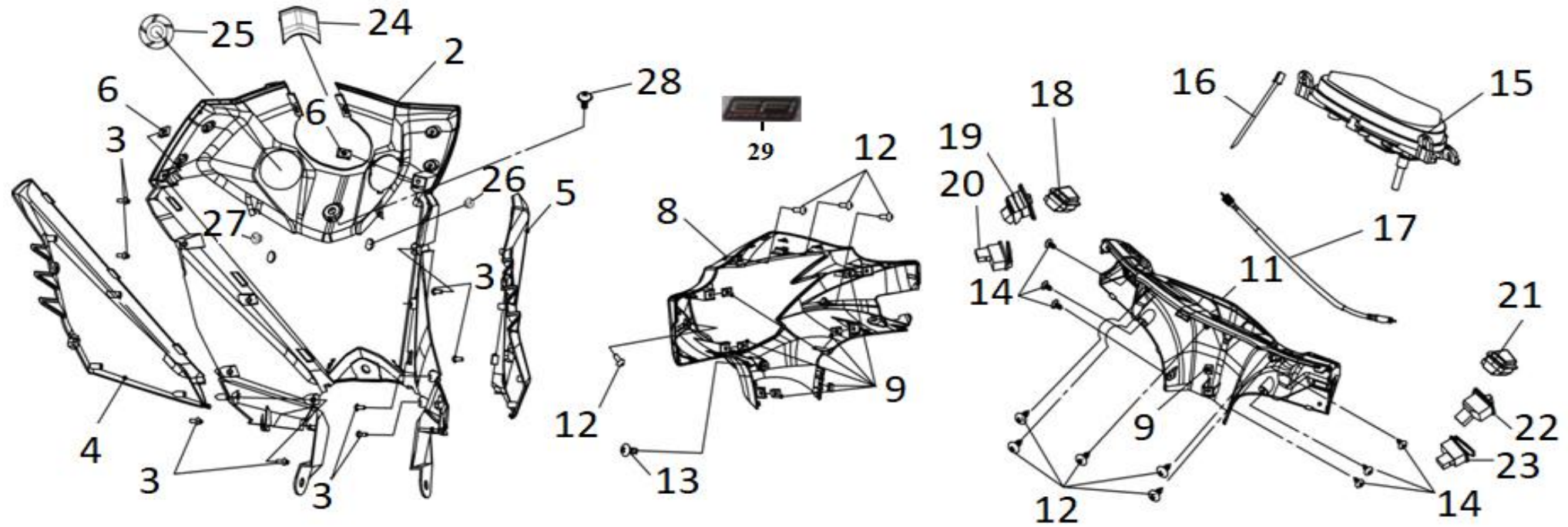
| No. | Part No. | Description | Unit | Remark |
|-----|-------------------|-----------------------------------------------|------|---------|
| 19 | 53166-XPA-0001-VN | LH. HNDL. GRIP | 1 | |
| 20 | 53167-H09-9001-L1 | THROT. UND. HOUSING | 1 | |
| 21 | 53168-H09-0001 | UP THROT HOUSING | 1 | |
| 22 | 93500-05022-00 | PAN SCREW 5*22 | 1 | |
| 23 | 88110-VE1-0000 | R. BACK MIRROR ASSY | 1 | |
| 24 | 88120-VE1-0000 | L. BACK MIRROR ASSY | 1 | |
| 25 | 35340-KBN-900 | FR. STOP SWITCH ASS'Y | 1 | |
| | 53176-VE1-9001 | R.STEERING HANDLE LEVER | 1 | Silver |
| | 53176-VE1-0001-SV | R.STEERING HANDLE LEVER - SILVER (VE1 2019) | 1 | VE1 C&G |
| | 45105-VF5-000-A | FR. PAD SET (A+B) | 1 | |

F02 HEAD LIGHT ASSY



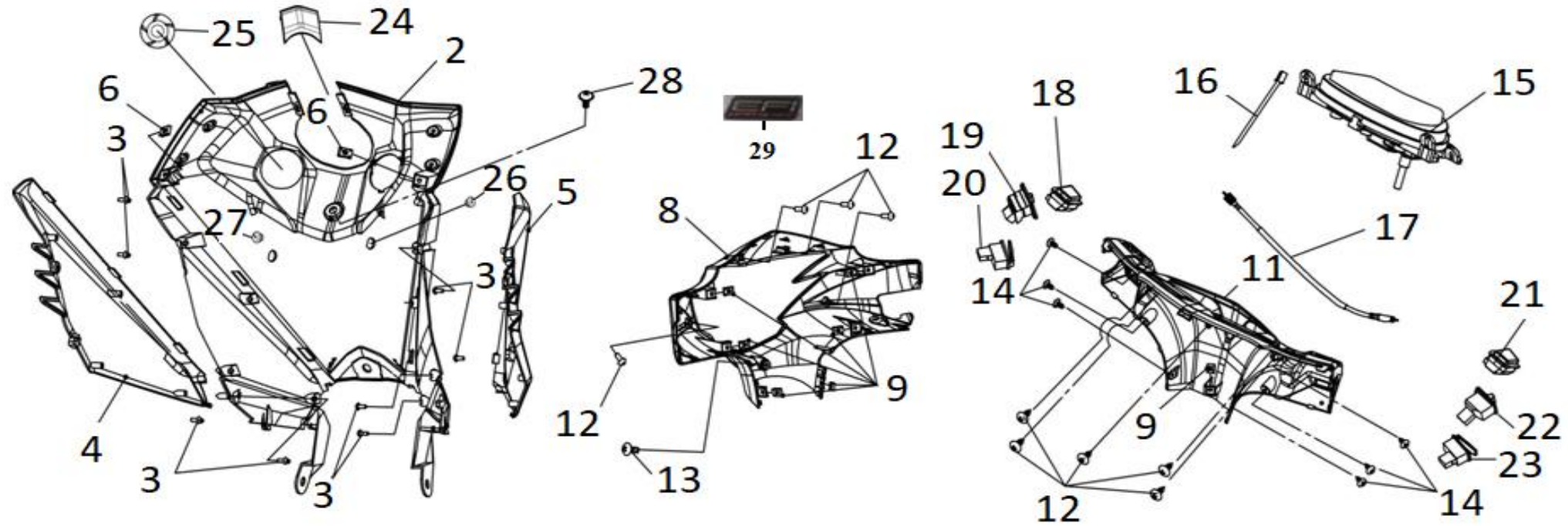
| No. | Part No. | Description | Unit | Remark |
|-----|----------------|----------------------|------|------------------------------------------------------|
| 1 | 33100-FDA-1001 | HEAD LIGHT ASSY | 1 | Parent Part |
| 2 | 33101-FDA-000 | HEAD LIGHT LENS | X | Please Order Parent Part 33100-FDA-1001 (item F02-1) |
| 3 | 33102-FDA-000 | HEAD LIGHT BASE | X | Please Order Parent Part 33100-FDA-1001 (item F02-1) |
| 4 | 33103-FDA-100 | HEAD LIGHT REFLECTOR | X | Please Order Parent Part 33100-FDA-1001 (item F02-1) |
| 5 | 93903-35220 | TAPPING SCREW 5*12 | 4 | |
| | 34901-SA5-0000 | HEAD LIGHT BULB | 1 | |

F03 MAIN PIPE COVER ASS'Y



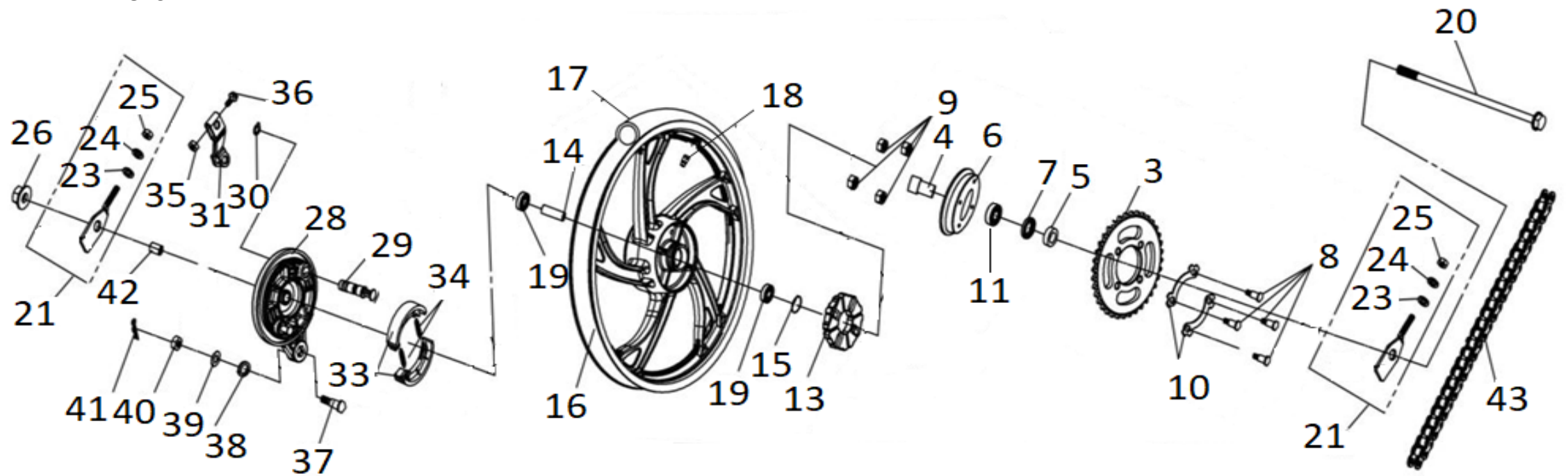
| No. | Part No. | Description | Unit | Remark |
|-----|-------------------|------------------------------------|------|------------|
| 2 | 64101-VE1-0002 | MAIN PIPE COVER | 1 | |
| 3 | 93903-34320 | TAPPING SCREW 4X12 | 8 | |
| 4 | 64304-VE1-0001-KB | L. MAIN PIPE INNER COVER (BK-500C) | 1 | KB - Black |
| 5 | 64303-VE1-0001-KB | R. MAIN PIPE INNER COVER (BK-500C) | 1 | KB - Black |
| 6 | 90302-SA4-003B | SPRING NUT 4MM | 2 | |
| 8 | 53205-VE1-0002-KB | FR. HANDLE COVER (BK-500C) | 1 | KB - Black |
| 9 | 90302-SA4-003B | SPRING NUT 4MM | 7 | |
| 11 | 53206-VE1-0001 | RR. HANDLE COVER | 1 | |
| 12 | 93903-34320 | TAPPING SCREW 4X12 | 1 | |
| 13 | 93891-05014-07 | WASHER SCREW 5X14 | 1 | |
| 14 | 93903-44480 | TAPPING SCREW 4X16 | 7 | |
| 15 | 37200-VE1-000-K2 | SPEEDOMETER ASSY | 1 | |
| 16 | 32161-T15-000 | WIRE BAND 250 | 1 | |
| 17 | 44830-VCB-0000 | SPEEDOMETER CABLE COMP. | 1 | |
| 18 | 35190-VT5-0000 | SEAT OPEN SW. UNIT | 1 | |
| 19 | 35150-M9Q-0002 | LIGHTING SW. UNIT | 1 | |
| 20 | 35160-KAS-0000 | START SW. UNIT | 1 | |
| 21 | 35170-SAF-0000 | DIMMER SW. UNIT | 1 | |

F03 MAIN PIPE COVER ASS'Y



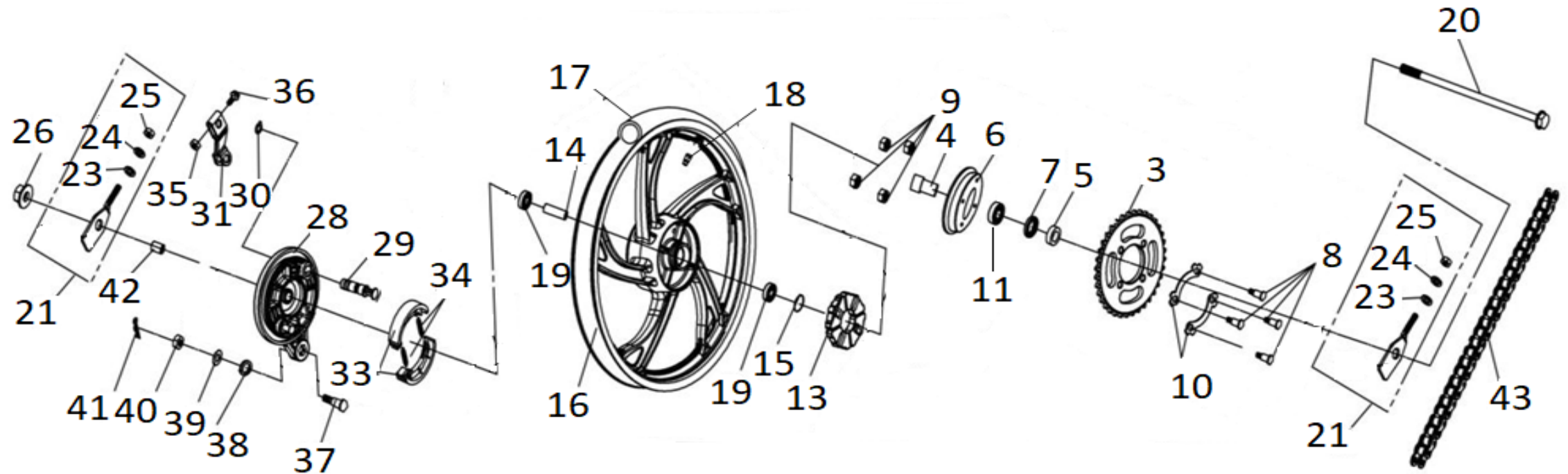
| No. | Part No. | Description | Unit | Remark |
|-----|----------------|---------------------|------|--------|
| 22 | 35200-M9Q-0001 | WINKER SW. UNIT | 1 | |
| 23 | 35180-KAS-0000 | HORN SW. UNIT | 1 | |
| 24 | 64102-VE1-0000 | MAIN PIPE JOINT CAP | 1 | |
| 25 | 64103-VE1-0002 | ECU CHECK COVER | 1 | |
| 26 | 64104-VE1-0000 | MIDDLE CARRIER CAP | 1 | |
| 27 | 64104-VE1-0000 | MIDDLE CARRIER CAP | 1 | |
| 28 | 90110-G22-0001 | SPECIAL SCREW 6X14 | 1 | |
| 29 | 87148-VWA-0003 | EFI EMBLEM | 1 | |

F04 RR. WHEEL CAST



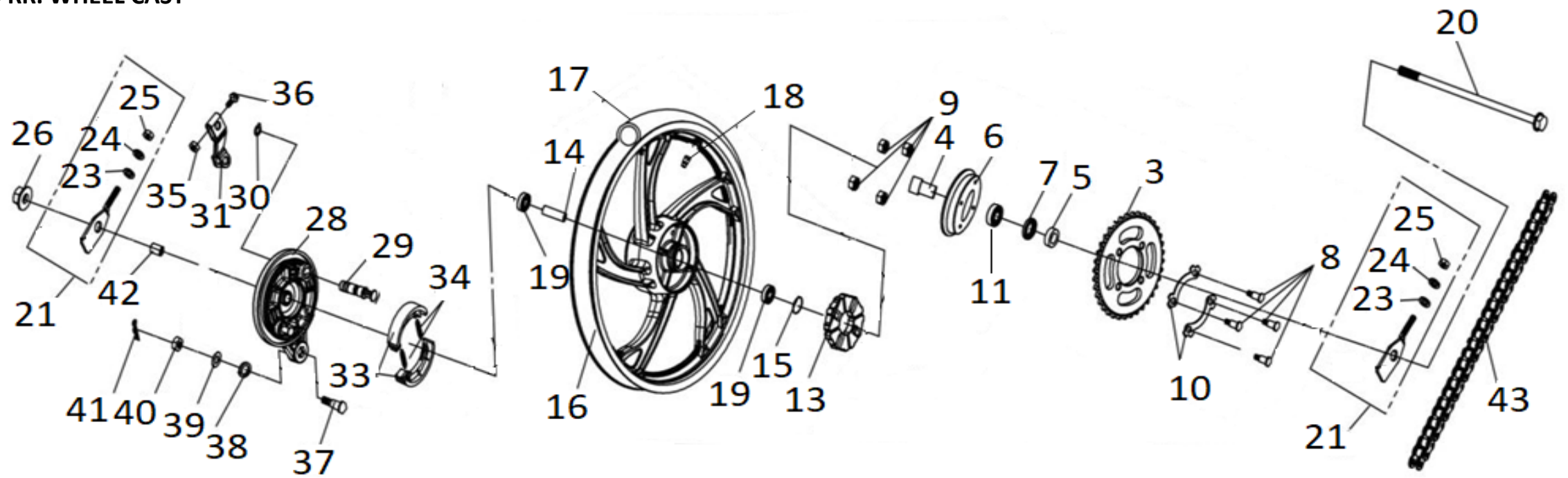
| No. | Part No. | Description | Unit | Remark |
|-----|----------------------|------------------------------|------|--------|
| 3 | 29501-SB1-0000 | FINAL DRIVEN SPROCKET 36T | 1 | |
| 4 | 42303-VCA-0002 | REAR AXLE SLEEVE | 1 | |
| 5 | 42304-VCA-0000 | RR AXLE SLEEVE COLLAR | 1 | |
| 6 | 42610-VB4-0000 | FINAL DRIVEN FLANGE | 1 | |
| 7 | 90753-M8Q-0000-L1 | OIL SEAL 27*40*6 | 1 | |
| 8 | 92101-08032-0A | HEX BOLT 8*32 | 4 | |
| 9 | 94030-08000-00 | HEX NUT 8mm | 4 | |
| 10 | 94108-11000-00 | TONGUED WASHER | 2 | |
| 11 | 96120-62030-10 | RADIAL BALL BEARING 6203Z | 1 | |
| 13 | 41241-VDA-0001-M | RR. WHEEL DAMPER | 4 | |
| 14 | 42620-X01-0000 | RR. AXLE DIST COLLAR | 1 | |
| 15 | 42653-M8Q-0000 | O RING 40.5*3 | 1 | |
| 16 | 42701-VE1-0005-T0-VN | RR. WHEEL CAST (DV-042 (T0)) | 1 | |
| 17 | 42710-VBA-0001 | RR. TUBELESS TIRE ASS'Y | 1 | |
| 18 | 42753-VVA-0000 | RIM VALVE | 1 | |
| 19 | 96150-63010-10-VN | RADIAL BALL BEARING 6301UU | 2 | |
| 20 | 42301-VCA-0000 | RR. WHEEL AXLE | 1 | |
| 21 | 4054A-VAD-0000 | R. DRIVE CHAIN ADJ. ASS'Y | 2 | |

F04 RR. WHEEL CAST



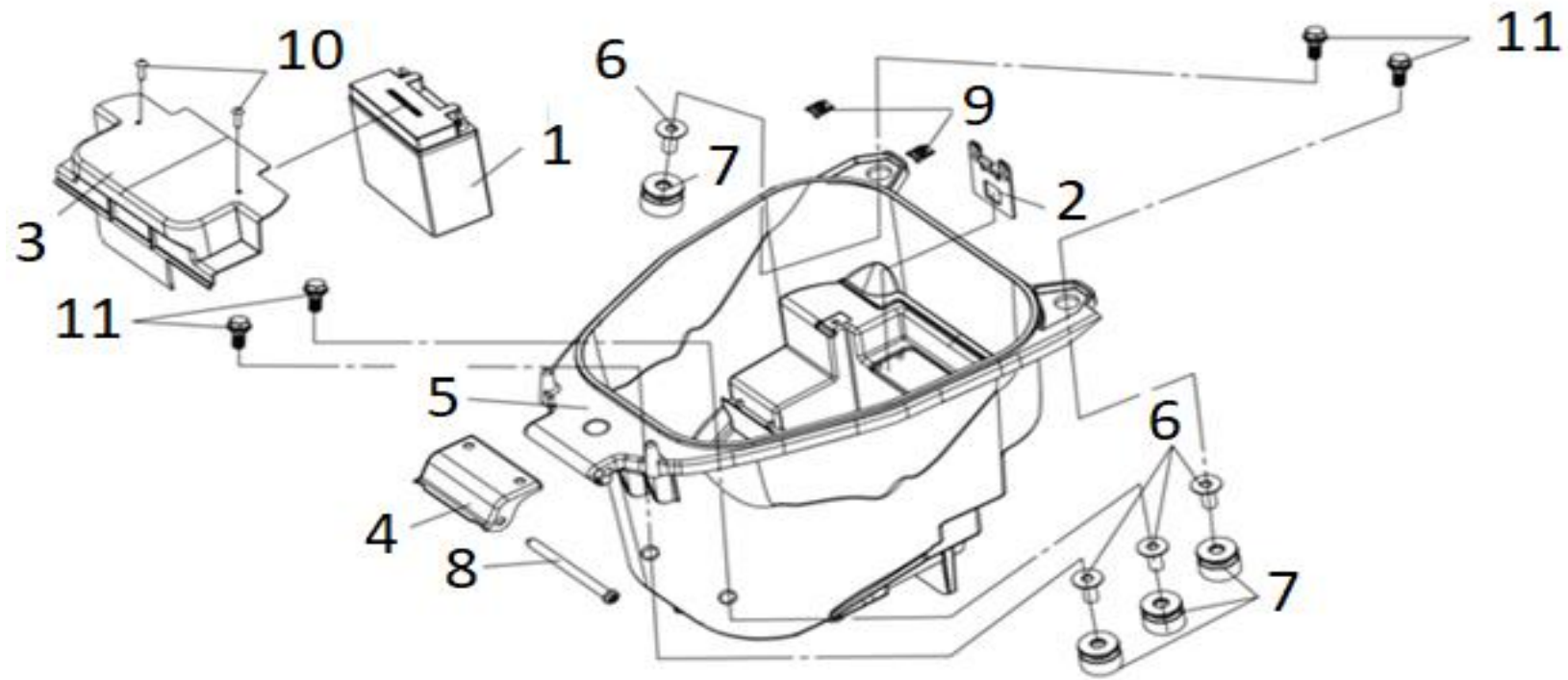
| No. | Part No. | Description | Unit | Remark |
|-----|------------------|--------------------------|------|--------|
| 23 | 94001-06000-0S | HEX NUT 6mm | 2 | |
| 24 | 94101-06000 | PLAIN WASHER 6 | 2 | |
| 25 | 94111-06000 | SPRING WASHER 6mm | 2 | |
| 26 | 90306-SB1-0000 | SELF LOCK NUT 12MM | 1 | |
| 28 | 43100-X01-030-SE | REAR BRAKE PANEL (S-423) | 1 | |
| 29 | 43141-M36-0004 | BRAKE CAM | 1 | |
| 30 | 43145-X01-0100 | RR. BRAKE INDICATOR | 1 | |
| 31 | 43410-M3B-0001 | REAR BRAKE ARM | 1 | |
| 33 | 4512B-X01-0000 | BRAKE SHOE COMP. | 2 | |
| 34 | 45133-M9Q-800 | BRAKE SHOE SPRING | 2 | |
| 35 | 94050-06000 | FLANGE NUT 6MM | 1 | |
| 36 | 95701-06032-00 | FLANGE BOLT 6*32mm | 1 | |
| 37 | 90127-M8Q-0000 | REAR BRAKE TORQUE BOLT | 1 | |
| 38 | 94111-10000-00 | SPR. WASHER 10mm | 1 | |
| 39 | 94030-08000-00 | HEX NUT 8mm | 1 | |
| 40 | 94050-08000 | FLANGE NUT 8 MM | 1 | |

F04 RR. WHEEL CAST



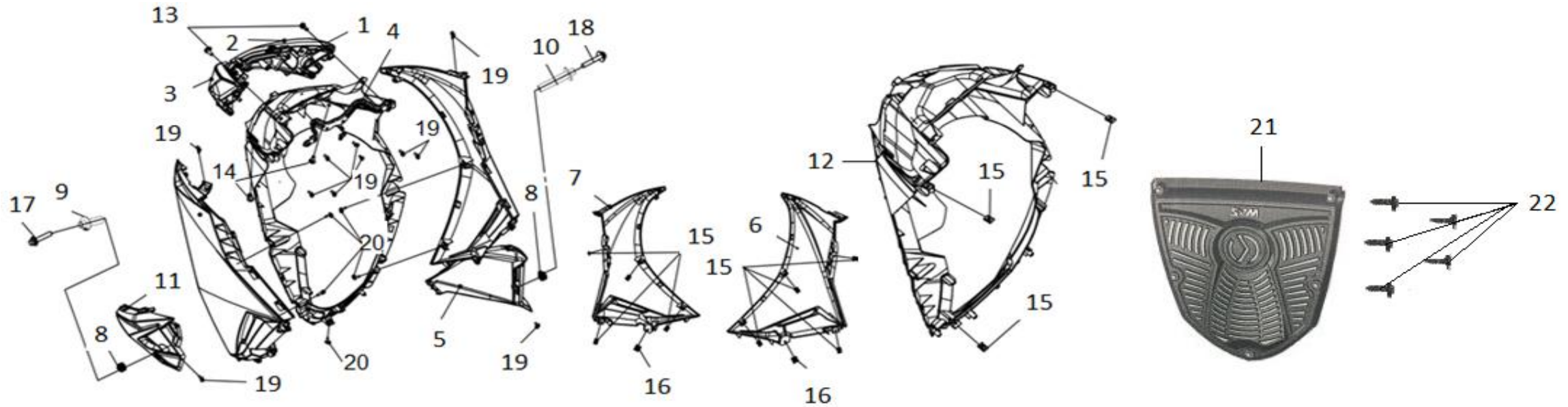
| No. | Part No. | Description | Unit | Remark |
|-----|-----------------|------------------------------|------|--------|
| 41 | 94251-08400 | LOCK PIN 8mm | 1 | |
| 42 | 42313-VCF-0000 | RR BRK PANEL SIDE COLLAR | 1 | |
| 43 | 1CK 428H X 104L | DRIVER CHAIN SYM 428H (104L) | 1 | |

F05 LUGGAGE BOX



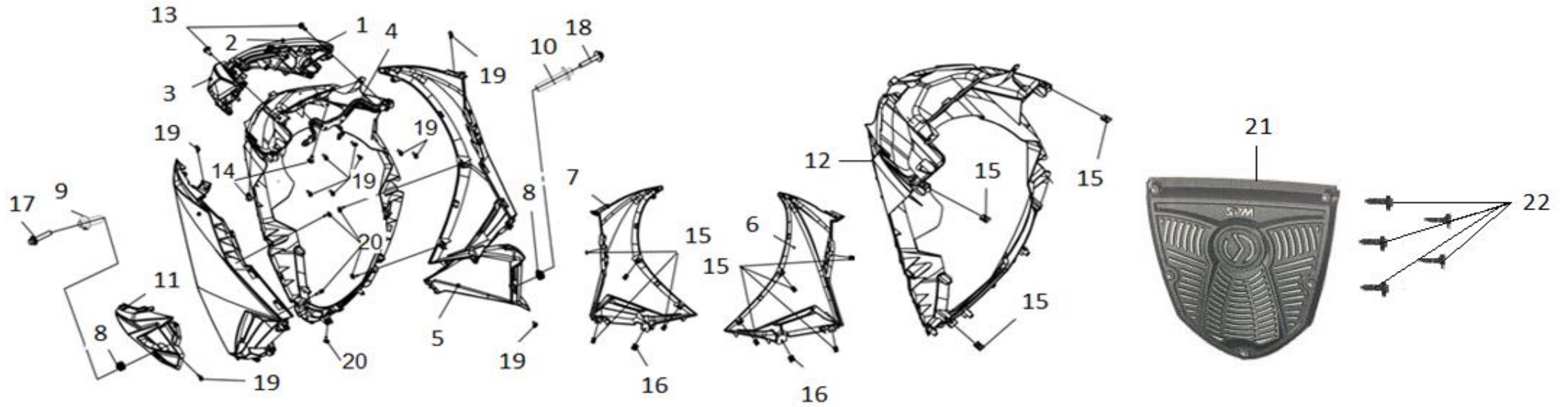
| No. | Part No. | Description | Unit | Remark |
|-----|----------------|----------------------|------|--------|
| 1 | 1BL WP5S-3BP | BATTERY ASSY | 1 | |
| 2 | 50153-VE1-0101 | FUSE BOX STAY | 1 | |
| 3 | 50326-VE2-0000 | BATTERY COVER | 1 | |
| 4 | 77201-T36-0000 | SEAT HINGE | 1 | |
| 5 | 81250-VE1-0101 | LUGGAGE BOX | 1 | |
| 6 | 81252-VB4-0000 | LUGGAGE BOX COLLAR A | 4 | |
| 7 | 81253-VB4-0000 | LUGGAGE BOX RUBBER A | 4 | |
| 8 | 90105-T36-0000 | HINGE PIN | 1 | |
| 9 | 90302-SA4-003B | SPRING NUT 4MM | 2 | |
| 10 | 93903-44480 | TAPPING SCREW 4*16 | 2 | |
| 11 | 96001-06035-00 | SH. FLANGE BOLT 6*35 | 4 | |

F06 FR. UNDER SPOILER



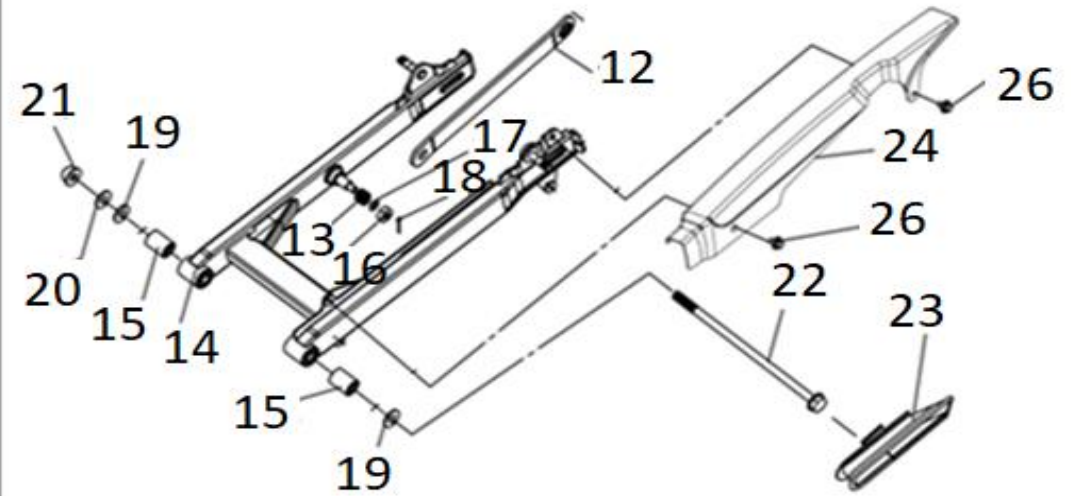
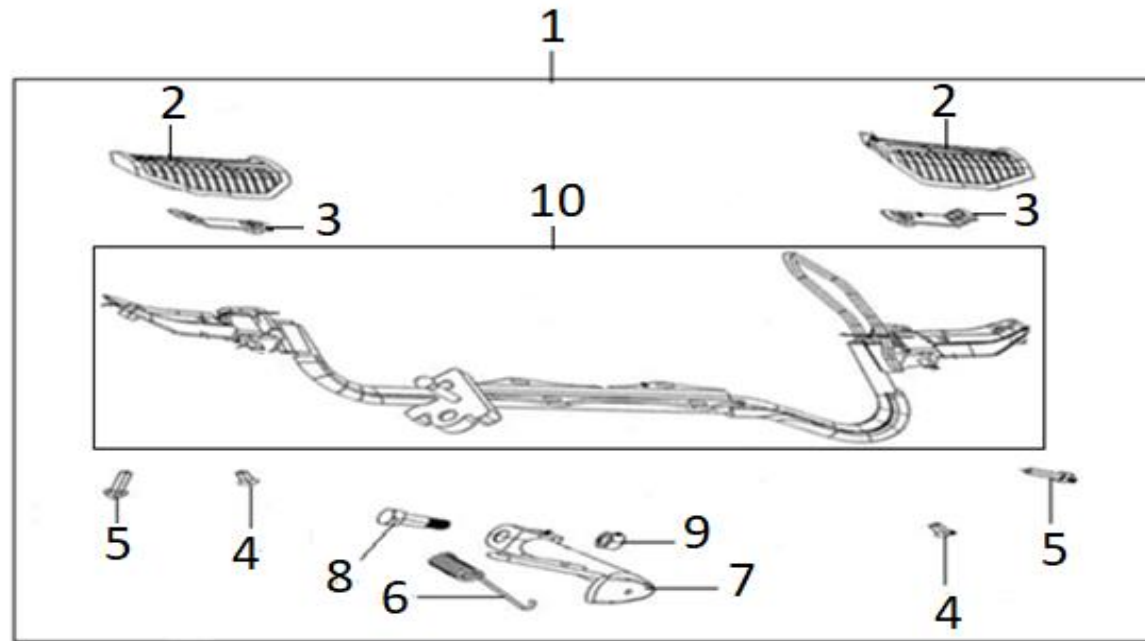
| No. | Part No. | Description | Unit | Remark |
|-----|-------------------|--------------------------|------|------------|
| 1 | 33400-VE1-0001 | FR. R. WINKER ASS'Y | 1 | |
| 2 | 33416-VE1-0000 | FR WINKER SOCKET COMP | 1 | |
| 3 | 33450-VE1-0001 | FR. L. WINKER ASS'Y | 1 | |
| 4 | 50154-VE1-0000 | UNDER SPOILER STAY | 1 | |
| 5 | 64300-VE1-0004-KB | R. UNDER COVER (BK-500C) | 1 | KB - Black |
| 6 | 64301-VE1-0003-KB | R FR COVER (BK-500C) | 1 | KB - Black |
| 7 | 64302-VE1-0003-KB | L. FR. COVER (BK-500C) | 1 | KB - Black |
| 8 | 64304-X01-000 | FR. COVER RUBBER | 2 | |
| 9 | 64307-VA2-0001 | FR. COVER COLLAR | 1 | |
| 10 | 64307-VB4-0000 | FR. COVER COLLAR | 1 | |
| 11 | 64400-VE1-0003-KB | L. UNDER COVER (BK-500C) | 1 | |
| 12 | 64500-VE1-0002 | FR. UNDER SPOILER | 1 | |
| 13 | 90111-M9Q-8000 | FLANGE BOLT 6MM | 2 | |
| 14 | 90115-REA-000 | PLASTIC NUT 6mm | 2 | |
| 15 | 90302-SA4-003B | SPRING NUT 4MM | 8 | |
| 16 | 90305-M9Q-000 | CLIP NUT 6MM | 2 | |
| 17 | 93414-06055-00 | WASHER BOLT 6*55 | 1 | |

F06 FR. UNDER SPOILER



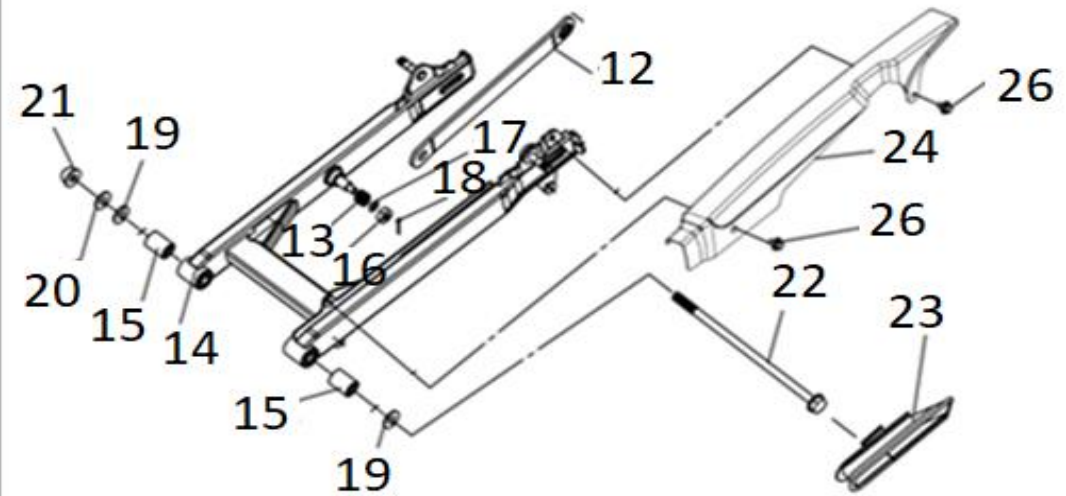
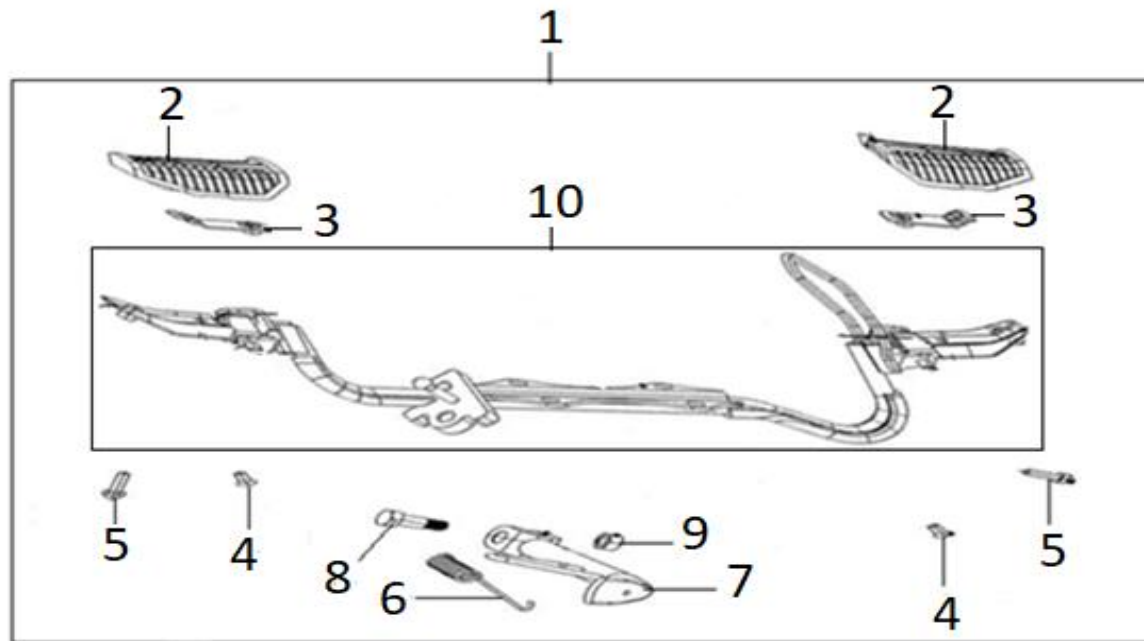
| No. | Part No. | Description | Unit | Remark |
|-----|----------------|-------------------------------|------|----------------------------------|
| 18 | 93414-06070-00 | WASHER BOLT 6*70 | 1 | |
| 19 | 93903-34320 | TAPPING SCREW 4X12 | 9 | |
| 20 | 93903-44480 | TAPPING SCREW 4*16 | 7 | |
| 21 | 64300-VE1-0001 | ENGINE COVER | 1 | |
| 22 | 93903-M516A | PAN WASHER HEAD ST SCREW 5*16 | 5 | for 64300-VE1-0001 (item F06-21) |

F07 REAR FORK COMP



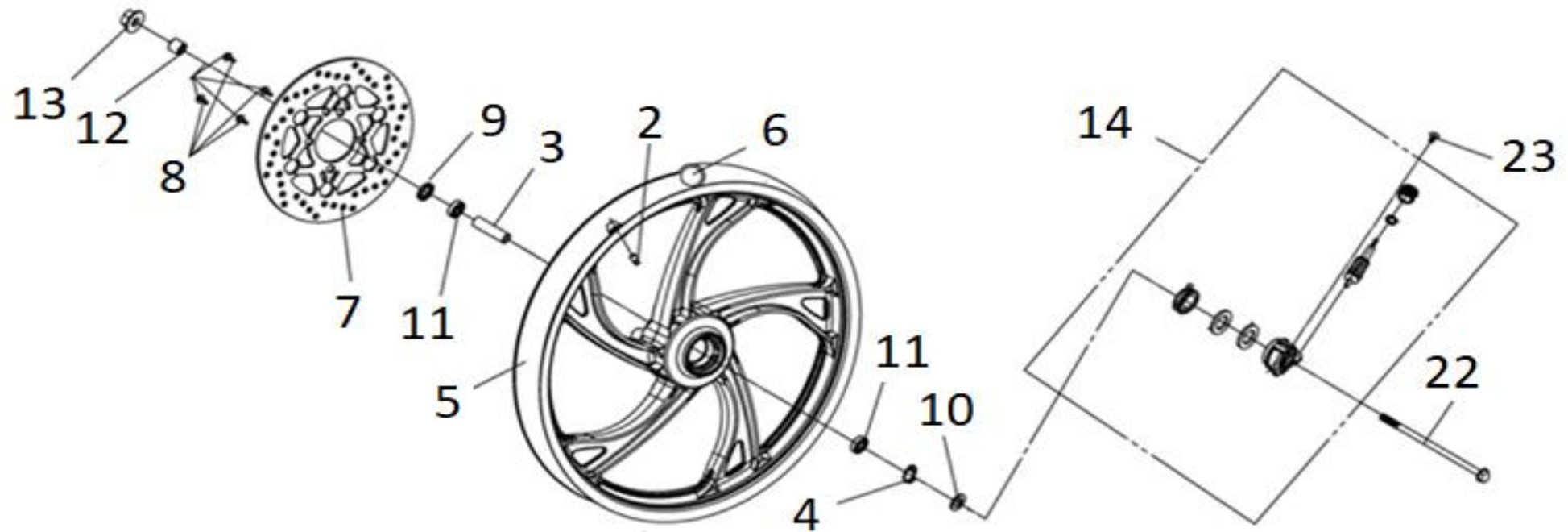
| No. | Part No. | Description | Unit | Remark |
|-----|------------------|----------------------------|------|--------|
| 1 | 5061E-VBA-0000 | STEP BAR SET | 1 | |
| 2 | 50661-VBA-0000 | STEP RUBBER | 2 | |
| 3 | 50819-VBA-0000 | STEP RUBBER STOPPER STAY | 2 | |
| 4 | 93500-06010-OA | PAN SCREW 6*10 | 2 | |
| 5 | 92501-06020-0B | HEX CAP BOLT 6*20 | 2 | |
| 6 | 95014-72102 | SIDE STAND SPRING | 1 | |
| 7 | 50530-VA2-0002 | SIDE STAND BAR COMP. | 1 | |
| 8 | 90108-B06-0001 | SIDE STAND PIVOT SCREW | 1 | |
| 9 | 94002-10070-OS | HEX NUT 10mm | 1 | |
| 10 | 5061A-VBA-8001 | STEP BAR ASS'Y | 1 | |
| 12 | 43431-VD3-0001 | RR BRAKE STOPPER ARM | 1 | |
| 13 | 43434-X04-0000 | RR. BRK. TORQUE LINK SPG. | 1 | |
| 14 | 52100-VB4-010-IC | RR FORK COMP (GY-096S). | 1 | |
| 15 | 52181-A08-3000 | RR. FORK PIVOT RUBBER BUSH | 2 | |
| 16 | 94030-08000-00 | HEX NUT 8mm | 1 | |
| 17 | 94101-08800 | PLAIN WASHER 8mm | 1 | |
| 18 | 94201-20151 | SPLIT PIN 2.0*15 | 1 | |
| 19 | 94102-10000 | PLAIN WASHER 10MM | 2 | |

F07 REAR FORK COMP



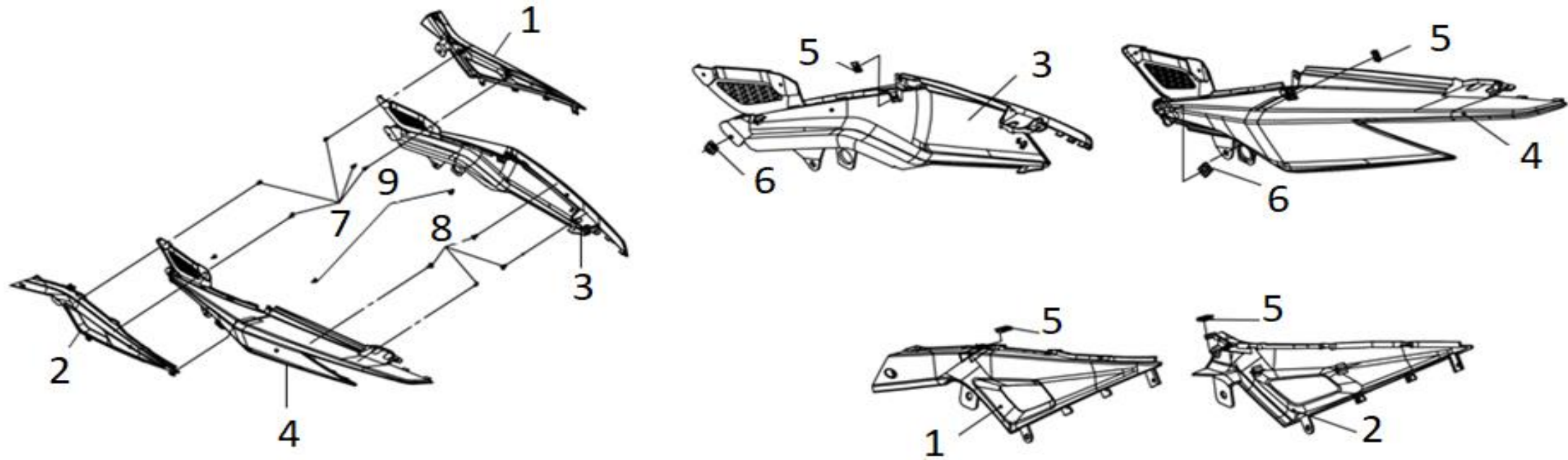
| No. | Part No. | Description | Unit | Remark |
|-----|----------------|--------------------------|------|--------|
| 20 | 94111-10000-00 | SPR. WASHER 10mm | 1 | |
| 21 | 94021-10000 | HEX CAP NUT 10mm | 4 | |
| 22 | 90121-VB4-0001 | RR. FORK PIVOT BOLT | 1 | |
| 23 | 40591-VD3-0001 | DRIVE CHAIN CASE PACKING | 1 | |
| 24 | 40510-VBJ-002 | DRIVE CHAIN GUARD | 1 | |
| 25 | 90111-M9Q-8000 | FLANGE BOLT 6mm | 1 | |
| 26 | 90112-M67-0000 | FLANGE BOLT 6mm | 1 | |

F08 FR. WHEEL CAST



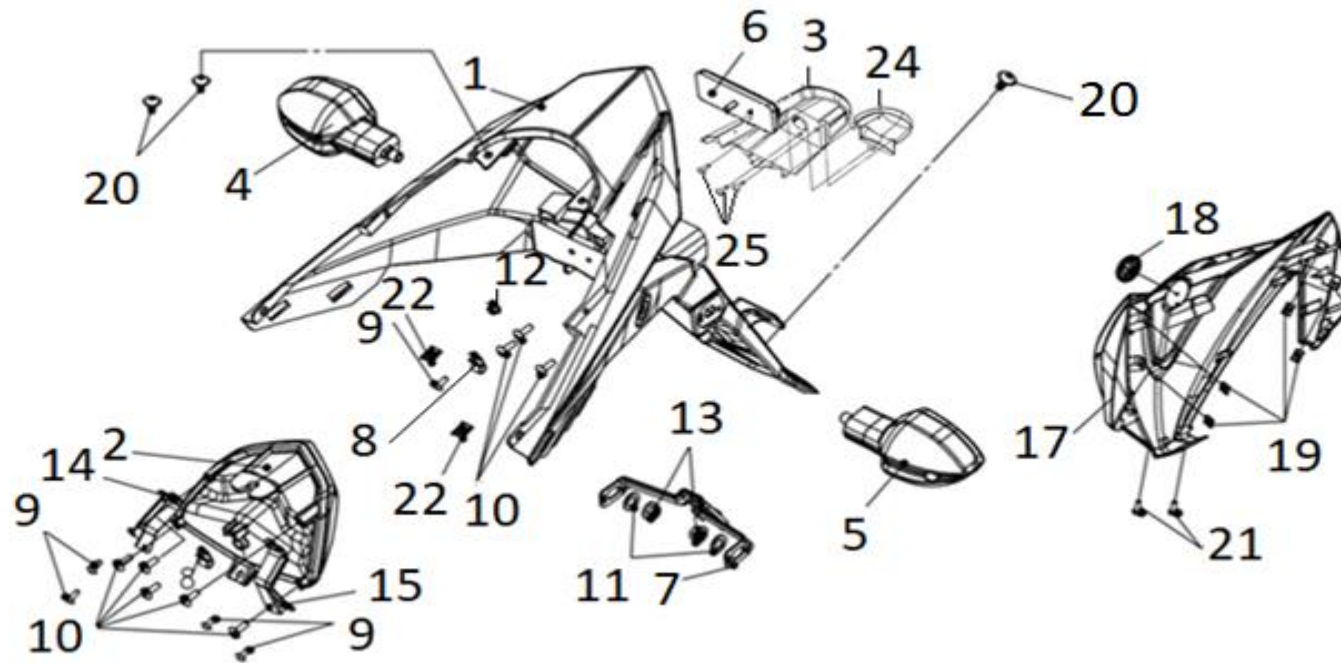
| No. | Part No. | Description | Unit | Remark |
|-----|----------------------|------------------------------|------|--------|
| 2 | 42753-VVA-0000 | RIM VALVE | 1 | |
| 3 | 44620-VA1-0000 | FR AXLE DIST COLLAR | 1 | |
| 4 | 44680-VA1-0000 | GEAR BOX RETAINER | 1 | |
| 5 | 44701-VE1-0005-T0-VN | FR. WHEEL CAST (DV-042 (T0)) | 1 | |
| 6 | 44710-VBA-0001 | FR . TUBELESS TIRE ASS'Y | 1 | |
| 7 | 45121-VBA-0002-VN | FR. BRAKE DISK | 1 | |
| 8 | 90106-N02-0002 | FR. DISK BOLT | 4 | |
| 9 | 91252-030-003 | OIL SEAL 23*37*7 | 1 | |
| 10 | 91258-410-0061-L1 | DUST SEAL 40x50x5 | 1 | |
| 11 | 96150-63010-10-VN | RADIAL BALL BEARING 6301UU | 2 | |
| 12 | 44311-VVB-0000 | FR WHEEL SIDE COLLAR | 1 | |
| 13 | 90306-SB1-0000 | SELF LOCK NUT 12MM | 1 | |
| 14 | 44800-VA1-0001 | SPEEDOMETER GEAR BOX ASS'Y | 1 | |
| 22 | 44301-VA5-0001 | FR. WHEEL AXLE | 1 | |
| 23 | 93891-05022-07 | WASHER SCREW 5*22 | 1 | |

F09 R/L. BODY COVER



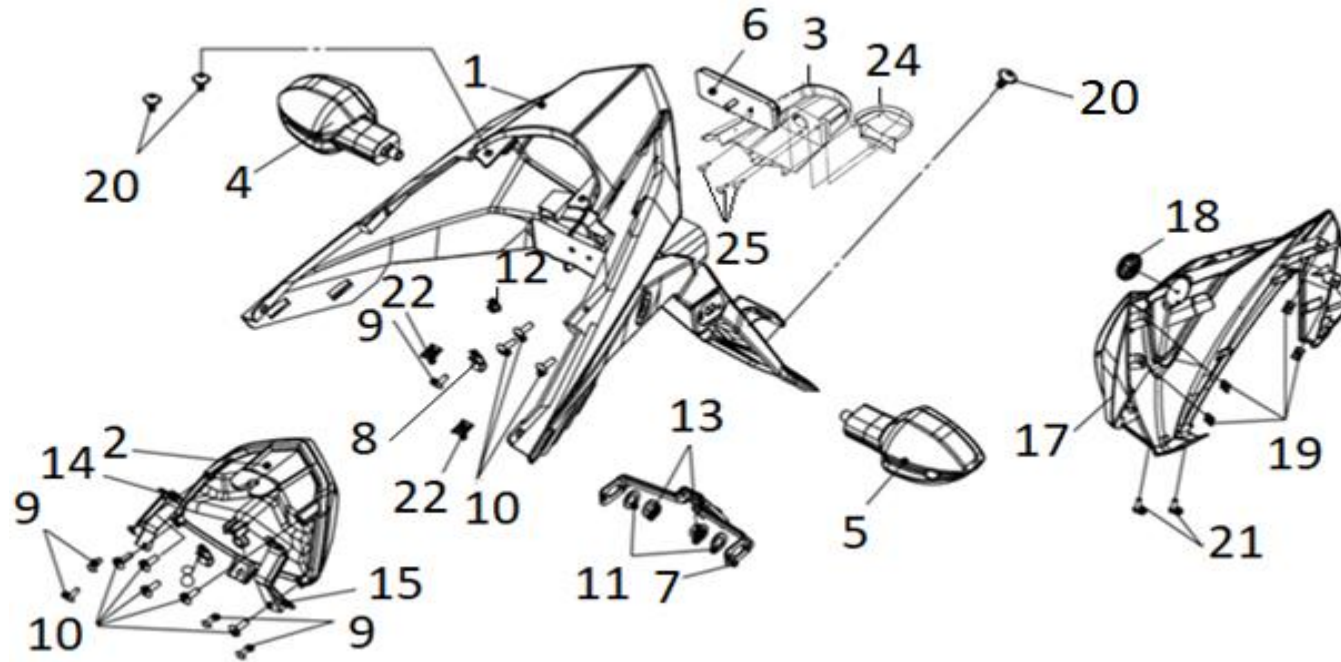
| No. | Part No. | Description | Unit | Remark |
|-----|--------------------|---------------------------------|------|-------------|
| 1 | 64323-VE1-0002-KB | R. BODY COVER GARNISH (BK-500C) | 1 | KB - Black |
| 2 | 64324-VE1-0002-KB | L. BODY COVER GARNISH (BK-500C) | 1 | KB - Black |
| 3 | 83500-VE1-0003-KMK | RH. BODY COVER (BK-500C/NH105) | 1 | KMK - Black |
| 4 | 83600-VE1-0003-KMK | LH. BODY COVER (BK-500C/NH-105) | 1 | KMK - Black |
| 5 | 90302-SA4-003B | SPRING NUT 4MM | 4 | |
| 6 | 90305-M9Q-000 | CLIP NUT 6MM | 2 | |
| 7 | 93903-34320 | TAPPING SCREW 4X12 | 6 | |
| 8 | 93903-35220 | TAPPING SCREW 5*12 | 4 | |
| 9 | 93903-44480 | TAPPING SCREW 4*16 | 2 | |

F10 RR. FENDER



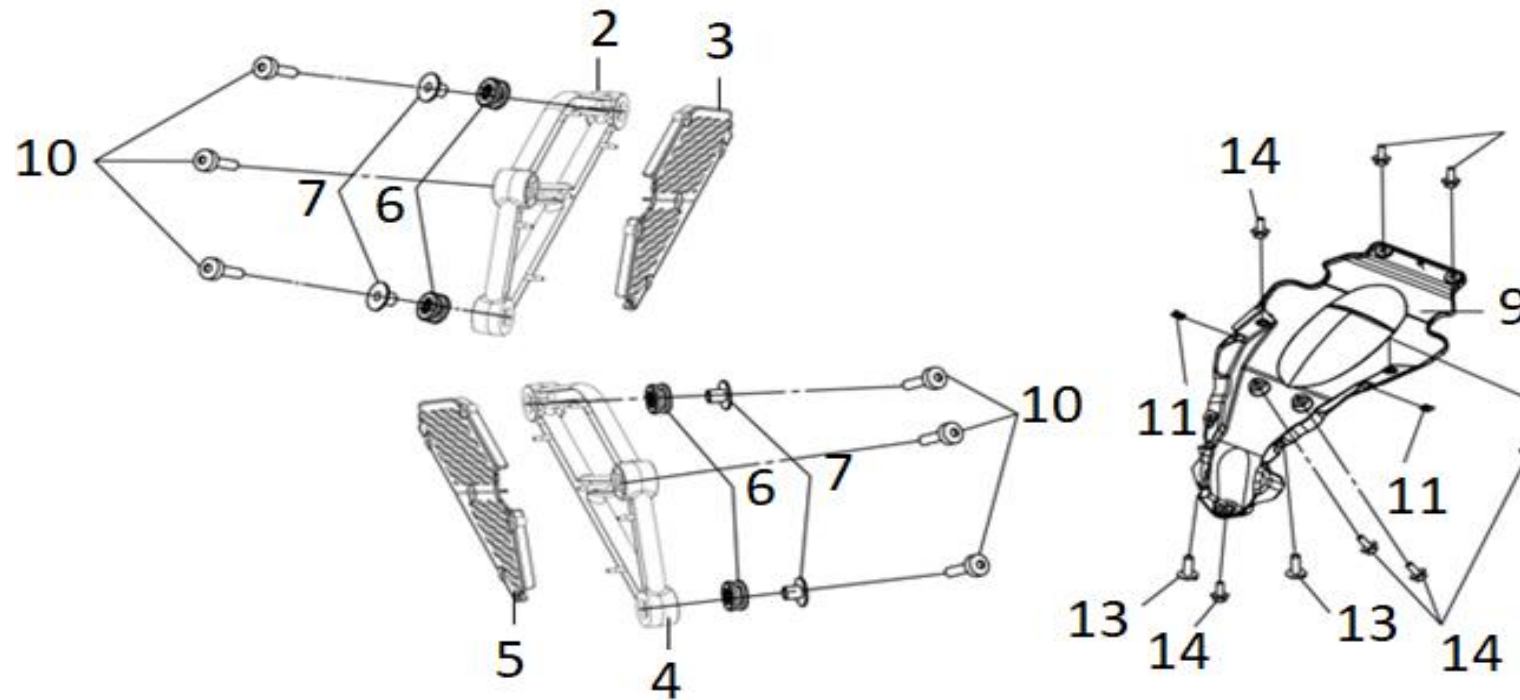
| No. | Part No. | Description | Unit | Remark |
|-----|-------------------|-------------------------|------|------------|
| 1 | 80100-VE1-0004 | RR. FENDER | 1 | |
| 2 | 33700-B9A-0005 | TAIL LIGHT ASSY | 1 | |
| 3 | 80101-VE1-0002 | LICENSE LIGHT COVER | 1 | |
| 4 | 33600-VE1-0000 | RR. R. WINKER ASS'Y | 1 | |
| 5 | 33650-VE1-0000 | RR. L. WINKER ASSY | 1 | |
| 6 | 33741-VT5-0000 | RR. REFLEX REFLECTOR | 1 | |
| 7 | 50162-VE1-0002 | RR. FENDER BRKT. | 1 | |
| 8 | 94592-A5W-0000 | CABLE CLAMP (1/4) | 1 | |
| 9 | 93903-34320 | TAPPING SCREW 4X12 | 9 | |
| 10 | 93903-35220 | TAPPING SCREW 5*12 | 5 | |
| 11 | 94050-10070 | FLANGE NUT 10mm | 2 | |
| 12 | 94050-05080 | FLANGE NUT 5mm | 1 | |
| 13 | 94102-10700 | PLAIN WASHER 10MM | 2 | |
| 14 | 80102-VE1-0000 | R. TAIL LIGHT STAY | 1 | |
| 15 | 80103-VE1-0000 | L. TAIL LIGHT STAY | 1 | |
| 17 | 64310-VE1-0002-KB | FR. TOP COVER (BK-500C) | 1 | KB - Black |
| 18 | 87554-AZA-000 | SYM LOGO (40 AL) | 1 | |
| 19 | 90302-SA4-003B | SPRING NUT 4MM | 4 | |

F10 RR. FENDER



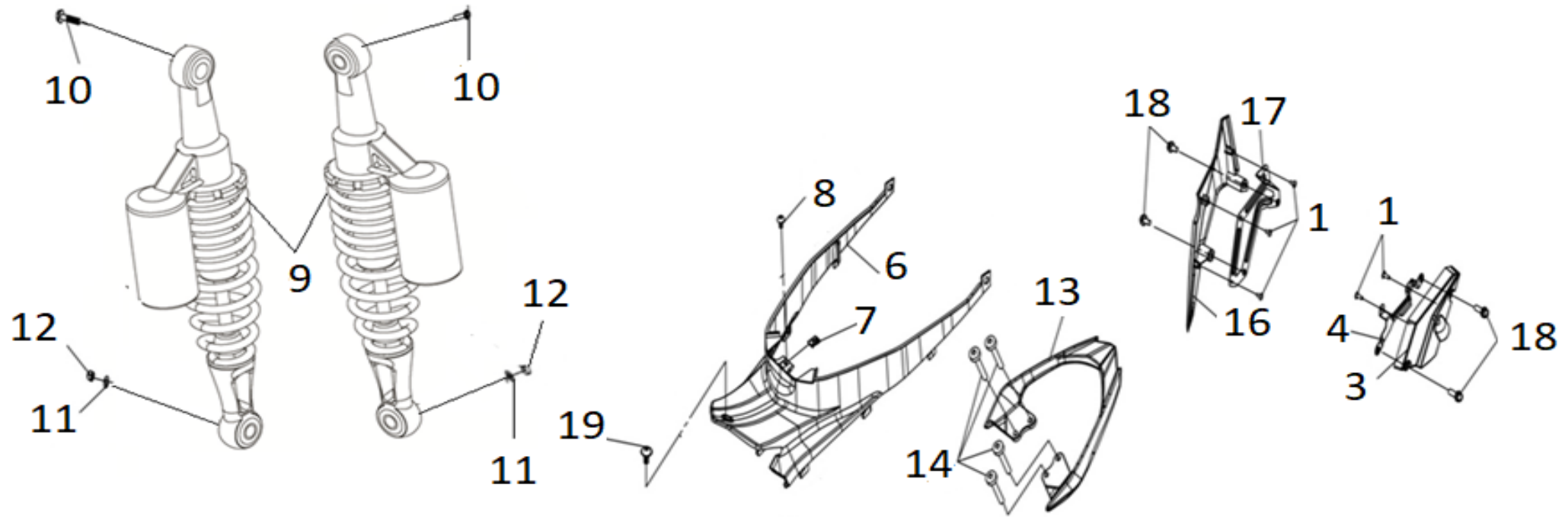
| No. | Part No. | Description | Unit | Remark |
|-----|----------------|--------------------|------|--------|
| 20 | 90110-G22-0001 | SPECIAL SCREW 6*14 | 3 | |
| 21 | 90115-REA-000 | PLASTIC NUT 6mm | 2 | |
| 22 | 90302-SA4-003B | SPRING NUT 4MM | 2 | |
| 23 | 80105-VE1-000 | RR .INNER FENDER B | 1 | |
| 24 | 33740-VVA-0005 | LICENSE LIGHT ASSY | 1 | |
| 25 | 93903-34320 | TAPPING SCREW 4X12 | 3 | |

F11 R/L. MAIN PIPE GARNISH



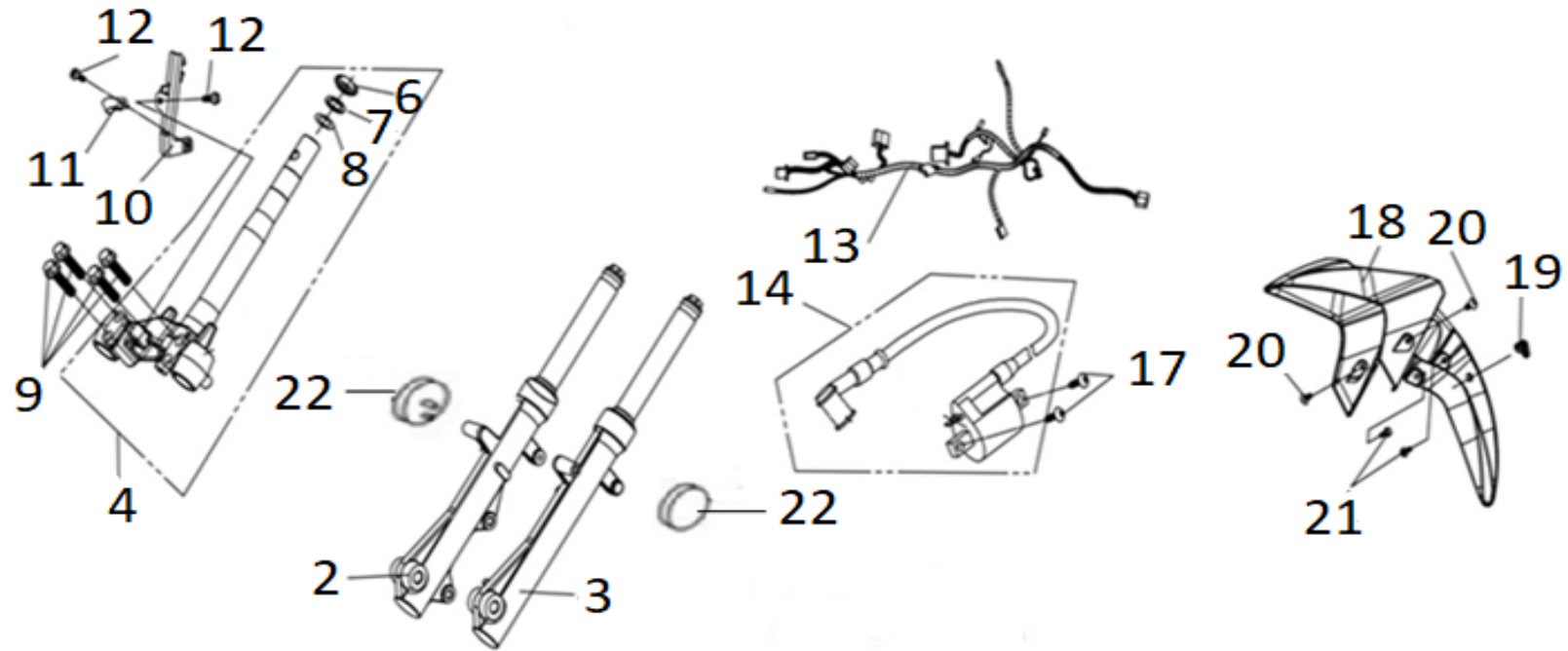
| No. | Part No. | Description | Unit | Remark |
|-----|-------------------|--------------------------------|------|----------------|
| 2 | 50630-VE1-0005-KU | R. MAIN PIPE GARNISH (GY-098U) | 1 | KU - Matt Grey |
| 3 | 50631-VE1-0001 | R. GRID | 1 | |
| 4 | 50640-VE1-0005-KU | L. MAIN PIPE GARNISH (GY-098U) | 1 | KU - Matt Grey |
| 5 | 50641-VE1-0001 | L. GRID | 1 | |
| 6 | 64304-X01-000 | FR. COVER RUBBER | 4 | |
| 7 | 64306-X01-0000 | FR. COVER COLLAR | 4 | |
| 9 | 80106-VE1-0000 | RR. INNER FENDER | 1 | |
| 10 | 90114-VE1-0000 | SPECIAL SCREW 6X22 | 6 | |
| 11 | 90302-SA4-003B | SPRING NUT 4MM | 2 | |
| 13 | 93903-44480 | TAPPING SCREW 4*16 | 2 | |
| 14 | 95801-06012-00 | FLANGE BOLT 6*12 | 7 | |

F12 RR. CUSHION ASS'Y



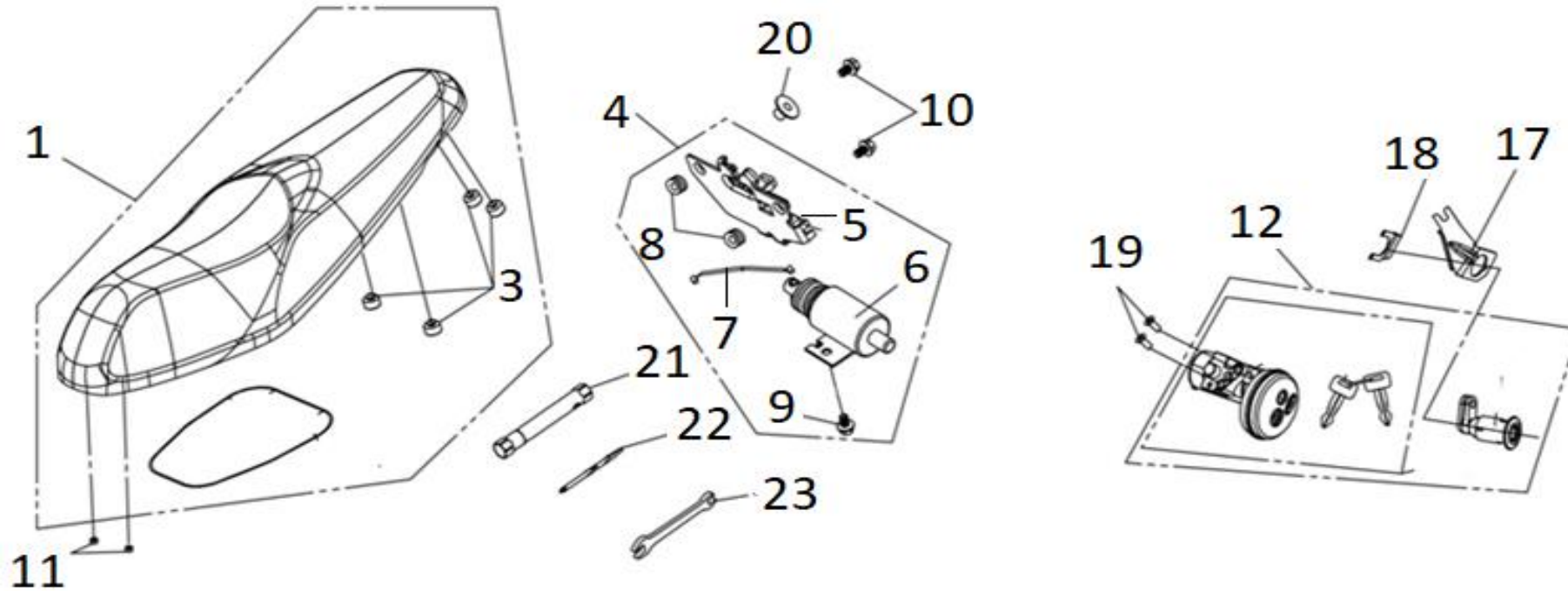
| No. | Part No. | Description | Unit | Remark |
|-----|-------------------|---------------------------------|------|------------|
| 1 | 93903-34320 | TAPPING SCREW 4X12 | 6 | |
| 3 | 50360-VE1-0001 | L. ENGINE HANGER PROTECTOR | 1 | |
| 4 | 50361-VE1-0000 | L. ENGINE HANGER PROTECTOR STAY | 1 | |
| 6 | 64100-VE1-0002 | CENTER COVER | 1 | |
| 7 | 90302-SA4-003B | SPRING NUT 4MM | 1 | |
| 8 | 90110-G22-0001 | SPECIAL SCREW 6X14 | 1 | |
| 9 | 52400-VBJ-0003 | RR. CUSHION ASS'Y | 2 | |
| 10 | 95801-10040-07 | FLANGE BOLT 10X40 | 2 | |
| 11 | 94103-10000-00 | PLAIN WASHER 10MM | 2 | |
| 12 | 94021-10000 | HEX CAP NUT 10mm | 2 | |
| 13 | 81200-VE1-0002-KB | RR. CARRIER (BK-500C) | 1 | KB - Black |
| 14 | 90186-VA6-0001 | SHOCKET BOLT 8X25 | 4 | |
| 16 | 50350-VE1-0001 | R. ENGINE HANGER PROTECTOR | 1 | |
| 17 | 50351-VE1-0001 | R. ENGINE HANGER PROTECTOR STAY | 1 | |
| 18 | 96001-06018-00 | SH. FLANGE BOLT 6X18 | 4 | |
| 19 | 90110-G22-0001 | SPECIAL SCREW 6X14 | 1 | |

F13 STRG. STEM COMP. SET



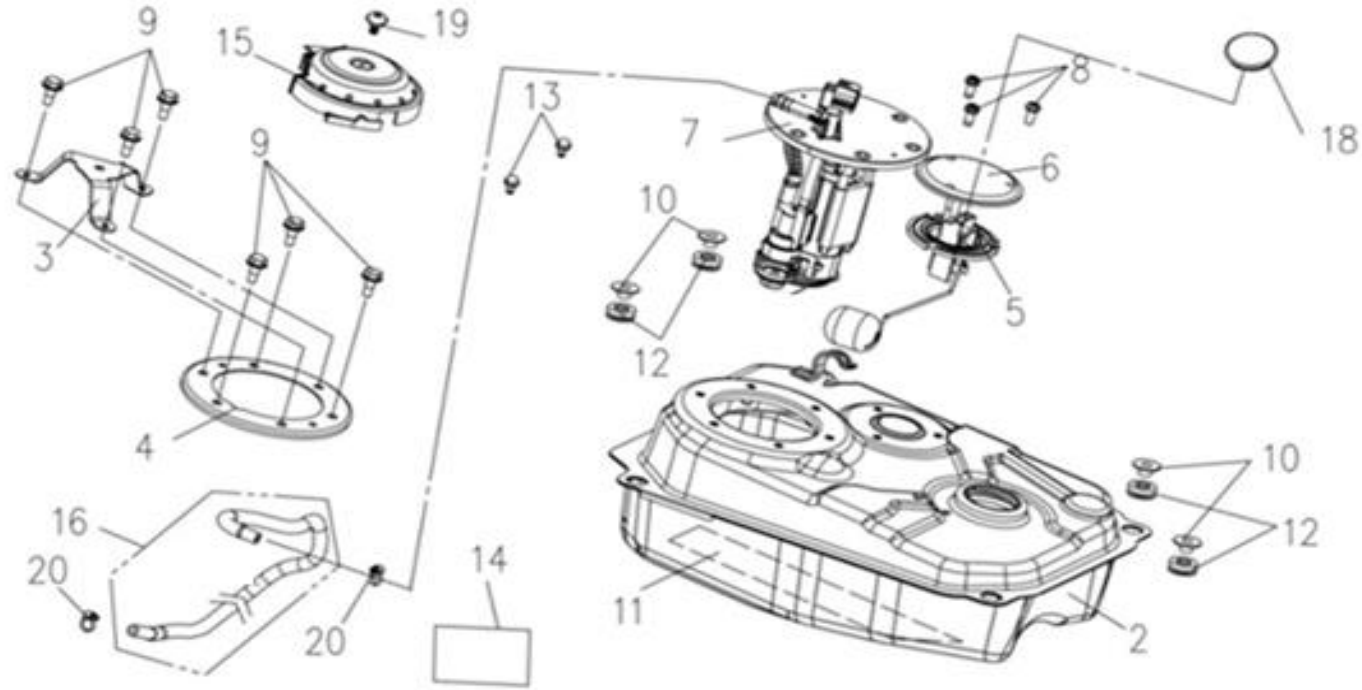
| No. | Part No. | Description | Unit | Remark |
|-----|----------------------|-------------------------------|------|------------|
| 2 | 51400-VBA-0001-T1 | R. FR. CUSHION ASS'Y | 1 | shorter |
| 2 | 51400-VBA-0002-T1-M1 | R. FR. CUSHION ASSY (NEW) | 1 | longer |
| 3 | 51500-VBA-0002-T1-M1 | L. FR. CUSHION ASSY (NEW) | 1 | longer |
| 4 | 5320B-VBA-0002 | STRG. STEM COMP. SET | 1 | |
| 6 | 53212-VA3-0000 | STRG. BOTTOM CONE RACE | 1 | |
| 7 | 53214-X04-0000 | STRG. HANDLE DUST SEAL | 1 | |
| 8 | 53215-X04-0001 | STRG. HANDLE DUST SEAL WASHER | 1 | |
| 9 | 95801-10045-07 | FLANGE BOLT 10X45 | 4 | |
| 10 | 45156-VBA-0000 | BRAKE HOSE CLAMP | 1 | |
| 11 | 45157-VA1-0001 | BRAKE HOSE CLAMPER B | 1 | |
| 12 | 96001-06010-00 | SH. FLANGE BOLT 6X10 | 2 | |
| 13 | 32100-VE1-0003-K2 | WIRE HARNESS | 1 | |
| 14 | 3051A-VE1-0001 | IGN. COIL ASSY | 1 | |
| 17 | 93891-05022-07 | WASHER SCREW 5X22 | 2 | |
| 18 | 61100-VE1-0001-KB | FR. FENDER (BK-500C) | 1 | KB - Black |
| 19 | 45451-N02-0000 | WIRE GROMMET | 1 | |
| 20 | 90110-VVC-0000 | SPECIAL SCREW 6X16 | 2 | |
| 21 | 90111-M9Q-8000 | FLANGE BOLT 6MM | 2 | |
| 22 | 33741-F62-100 | SIDE REFLEX.REFLECTOR | 2 | |

F14 DOUBLE SEAT COMP



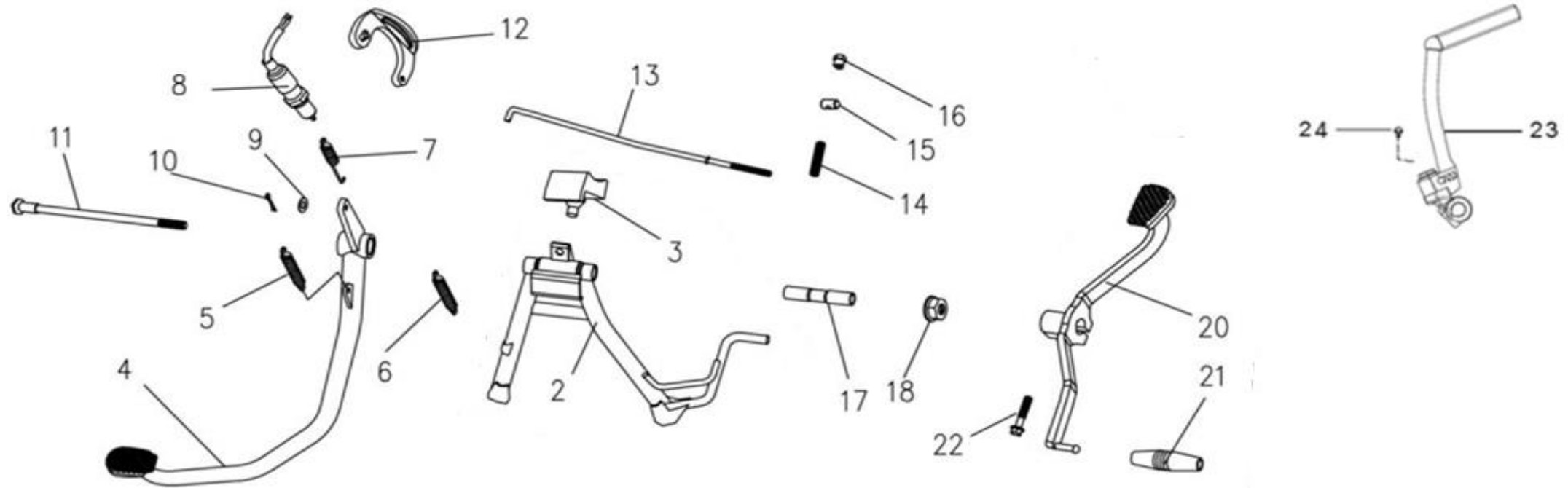
| No. | Part No. | Description | Unit | Remark |
|-----|----------------|----------------------|------|--------|
| 1 | 77200-VE1-0006 | DOUBLE SEAT COMP. | 1 | |
| 3 | 77206-N01-0000 | SEAT STOPER RUBBER | 3 | |
| 4 | 77230-VE1-0001 | SEAT CATCH ASS'Y | 1 | |
| 5 | 77235-VCA-0002 | SEAT CATCH COMP. | 1 | |
| 6 | 35870-VE1-0000 | DC SOLENOID ASSY | 1 | |
| 7 | 77240-VBA-0000 | SEAT LOCK CABLE | 1 | |
| 8 | 77236-VCA-0000 | SEAT CATCH RUBBER | 2 | |
| 9 | 95801-08012-08 | FLANGE BOLT 8X12 | 1 | |
| 10 | 93404-06016-07 | WASHER BOLT 6X16 | 2 | |
| 11 | 94050-06080 | FLANGE NUT 6 MM | 2 | |
| 12 | 35010-VE1-900 | KEY SET | 1 | |
| 17 | 77232-VE1-0000 | SEAT LOCK STAY | 1 | |
| 18 | 75581-M9Q-0001 | LOCK KEY SET SPG. | 1 | |
| 19 | 90164-X01-0002 | FLAT LOCK SCREW 6X12 | 2 | |
| 20 | 77237-VE1-0000 | SEAT CATCH COLLAR | 1 | |
| 21 | 89216-A02-0100 | SPARKING PLUG WRENCH | 1 | |
| 22 | 89102-VWA-0000 | DRIVE PLUS MINUS2 | 1 | |
| 23 | 99001-10140-0A | SPANNER 10X14 | 1 | |

F15 FUEL TANK COMP



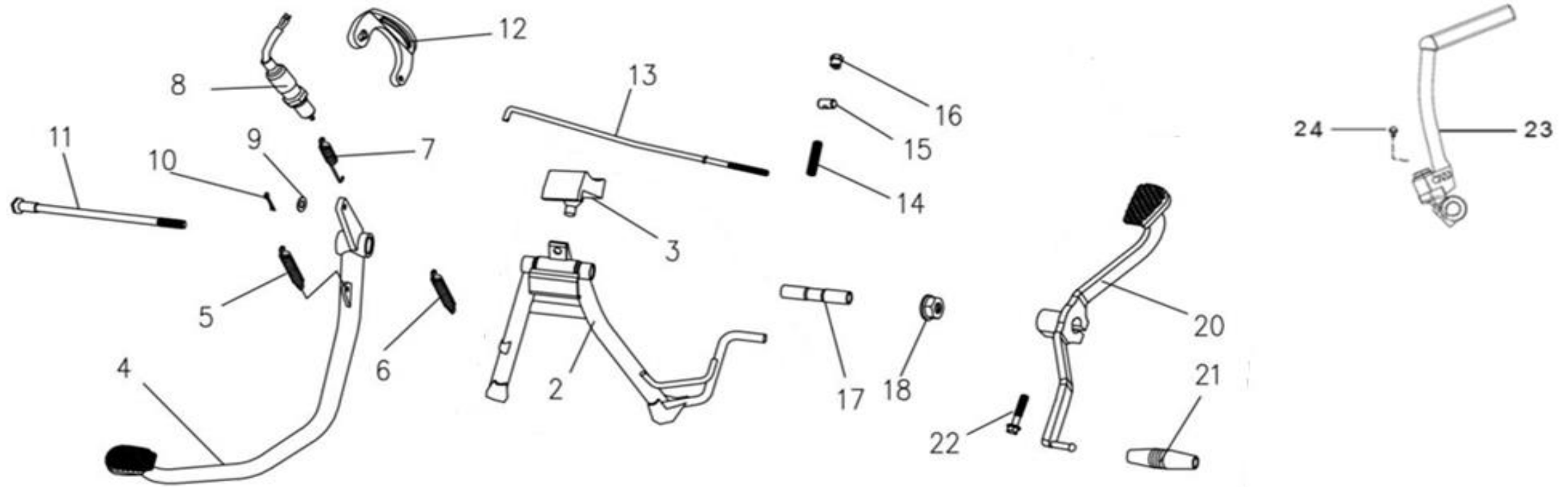
| No. | Part No. | Description | Unit | Remark |
|-----|------------------|-----------------------------|------|--------------------|
| 2 | 17500-VE1-0005 | FUEL TANK COMP. | 1 | |
| 3 | 17502-VE1-0000 | FUEL PUMP STAY A | 1 | for 16700-FSA-0002 |
| 4 | 17503-VE1-0000 | FUEL PUMP STAY B | 1 | |
| 5 | 37801-X01-0001 | BASE PACKING | 1 | |
| 6 | 37800-VE1-900 | FUEL UNIT ASS'Y | 1 | |
| 7 | 16700-FSA-0002 | FUEL PUMP ASSY | 1 | |
| | 16711-VE1-0000 | FUEL FILTER | 1 | for 16700-FSA-0002 |
| 8 | 90116-VVE-0001 | FUEL UNIT BOLT | 3 | |
| 9 | 93892-05012-08 | WASHER SCREW 5X12 | 6 | |
| 10 | 80107-VE1-0000 | FUEL TANK COLLAR | 4 | |
| 11 | 83619-VE1-0001 | FUEL TANK RUBBER | 1 | |
| 12 | 80108-VE1-0000 | FUEL TANK RUBBER | 4 | |
| 13 | 95801-06012-08 | FLANGE BOLT 6X12 | 2 | |
| 14 | 81219-VB1-0000 | WASHING MOTOR CAUTION LABEL | 1 | |
| 15 | 17501-VE1-0002 | FUEL TANK TOP COVER | 1 | |
| 16 | 17508-VE1-0001 | FUEL TANK TUBE | 1 | for 16700-FSA-0002 |
| 18 | 17620-VA3-0000 | FUEL FILLER CAP ASS'Y | 1 | |
| 19 | 90118-T15-900 | SPECIAL SCREW 5X14 | 1 | for 16700-FSA-0002 |
| 20 | 19505-H5D-000-TW | HOSE CLAMP | 2 | |

F16 MAIN STAND COMP



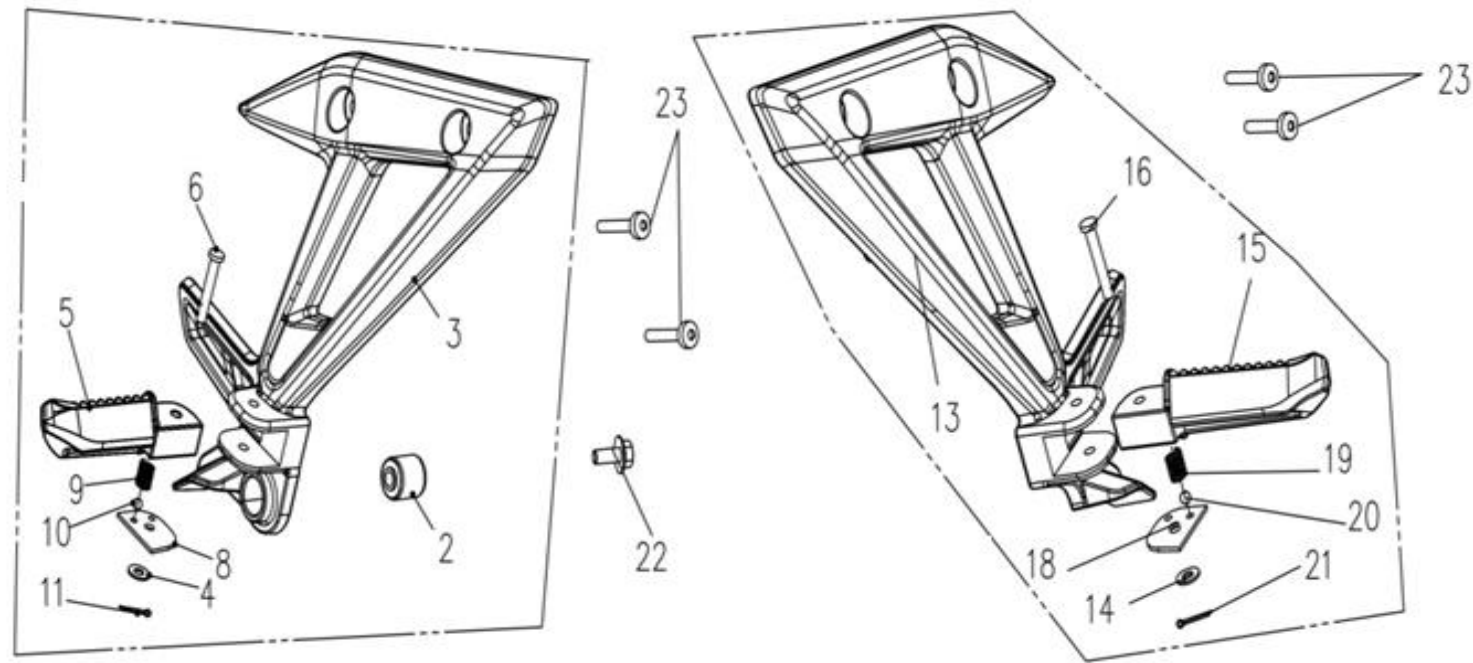
| No. | Part No. | Description | Unit | Remark |
|-----|----------------|-----------------------|------|--------|
| 2 | 50500-VE1-0000 | MAIN STAND COMP. | 1 | |
| 3 | 50524-M8Q-0000 | STAND STOPPER RUB. | 1 | |
| 4 | 46500-VBA-0000 | RR. BRAKE PEDAL COMP. | 1 | |
| 5 | 46514-VE1-0001 | BRK. PEDAL SPRING | 1 | |
| 6 | 50522-X04-0000 | MAIN STAND SPG. D. | 1 | |
| 7 | 35357-SA5-0001 | STOP SW. SPRING | 1 | |
| 8 | 35350-VBA-0000 | RR. STOP SW. ASS'Y | 1 | |
| 9 | 94101-06000 | PLAIN WASHER 6 | 1 | |
| 10 | 94201-16200 | SPLIT PIN 1.6X20 | 1 | |
| 11 | 50526-M36-0004 | MAIN STAND PIVOT BOLT | 1 | |
| 12 | 50523-M36-0002 | MAIN STAND SPG. HOOK | 1 | |
| 13 | 43451-VD3-0000 | REAR BRAKE ROD | 1 | |
| 14 | 95014-73100-00 | BRK. ROD SPRING A | 1 | |
| 15 | 95015-32001 | BRAKE ARM JOINT B | 1 | |
| 16 | 45456-X01-0001 | FR BRAKE CABLE NUT | 1 | |
| 17 | 50525-VBC-0000 | STAND DISTANCE COLLAR | 1 | |
| 18 | 90307-X01-0000 | LOCK NUT 12MM | 1 | |

F16 MAIN STAND COMP



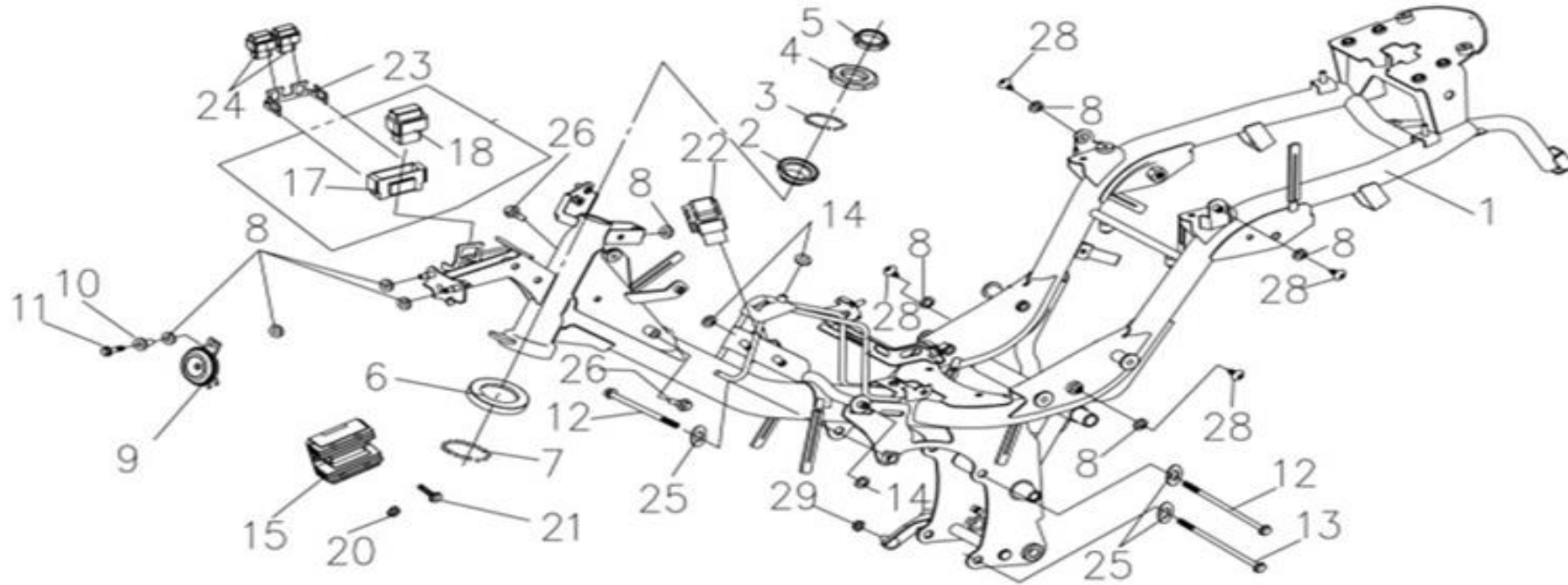
| No. | Part No. | Description | Unit | Remark |
|-----|----------------|-----------------------|------|--------|
| 20 | 24701-VBA-0000 | GEAR CHANGE PEDAL | 1 | |
| 21 | 24781-N01-0000 | GEAR PEDAL RUBBER | 1 | |
| 22 | 96001-06020 | SH. FLANGE BOLT 6X20 | 1 | |
| 23 | 28300-VBA-0002 | KICK STARTER ARM ASSY | 1 | |
| 24 | 92101-06028-0H | HEX BOLT 6X28 | 1 | |

F17 R/L STEP HOLDER



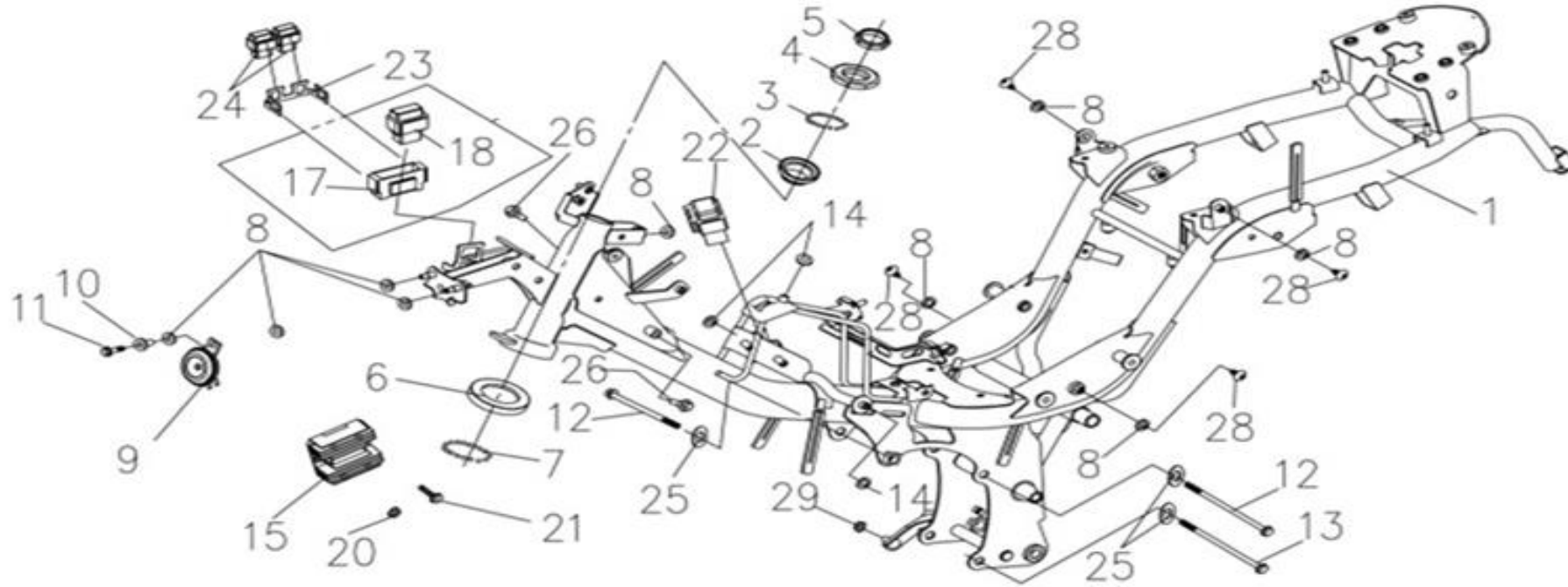
| No. | Part No. | Description | Unit | Remark |
|-----|-------------------|----------------------------|------|------------|
| 2 | 18422-LYD-300 | EXH. MUFFLER BUSH | 1 | |
| 3 | 50650-VE1-0002-KT | R. STEP HOLDER (BK-501U/S) | 1 | KT - Black |
| 4 | 94101-06000 | PLAIN WASHER 6 | 1 | |
| 5 | 50715-VE1-0001 | R PILLION STEP BAR | 1 | |
| 6 | 50722-B9A-000 | STEP PIN | 1 | |
| 8 | 50719-VE1-0001 | R. THRUST PLATE | 1 | |
| 9 | 50703-R02-000 | STOP SPRING | 1 | |
| 10 | 96211-08000 | STEEL BALL #8 | 1 | |
| 11 | 94201-16200 | SPLIT PIN 1.6X20 | 1 | |
| 13 | 50750-VE1-0002-KT | L. STEP HOLDER (BK-501U/S) | 1 | KT - Black |
| 14 | 94101-06000 | PLAIN WASHER 6 | 1 | |
| 15 | 50718-VE1-0001 | L PILLION STEP BAR | 1 | |
| 16 | 50722-B9A-000 | STEP PIN | 1 | |
| 18 | 50819-VE1-0001 | L. THRUST PLATE | 1 | |
| 19 | 50703-R02-000 | STOP SPRING | 1 | |
| 20 | 96211-08000 | STEEL BALL #8 | 1 | |
| 21 | 94201-16200 | SPLIT PIN 1.6X20 | 1 | |
| 22 | 95801-08032-00 | FLANGE BOLT 8*32 | 1 | |
| 23 | 90186-VA6-0001 | SHOCKET BOLT 8X25 | 4 | |

F18 FRAME BODY COMP



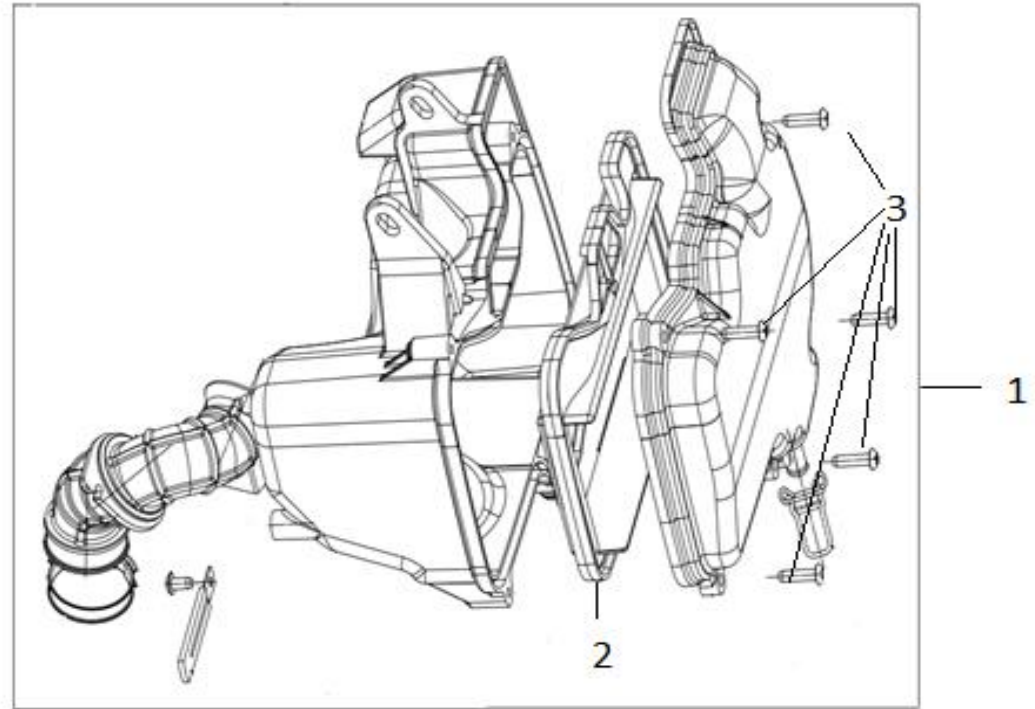
| No. | Part No. | Description | Unit | Remark |
|-----|-------------------|-----------------------------|------|--------|
| 1 | 50100-VE1-0005-KC | FRAME BODY COMP. | 1 | |
| 2 | 50301-VS1-0000-L1 | STRG. UPPER BALL RACE | 1 | |
| 3 | 96211-05000 | STEEL BALL 5 | 26 | |
| 4 | 53211-VBA-0000 | STRG. UP. CONE RACE | 1 | |
| 5 | 50306-M9Q-0000 | STRING STEM LOCK NUT | 1 | |
| 6 | 50305-M36-0001 | STRG. BOTTOM BALL RACE | 1 | |
| 7 | 96211-06000 | STEEL BALL 6 | 28 | |
| 8 | 77226-M3F-0000 | DAM RUBBER | 9 | |
| 9 | 38110-VBA-0001 | HORN COMP. | 1 | |
| 10 | 18295-A1A-000 | COLLAR M6 | 1 | |
| 11 | 95701-06018-07 | FLANGE BOLT 6*18 | 1 | |
| 12 | 90019-VE2-0000 | FLANGE BOLT 10*109 | 2 | |
| 13 | 90019-VE1-0000 | ENG HANGE UPPER BOLT 10*115 | 1 | |
| 14 | 53011-VS1-0000 | DAMPING RUBBER | 3 | |
| 15 | 31600-F62-9102-A2 | REG. REC. COMP. | 1 | |
| 17 | 38700-L4A-000 | ECU SUSPENSION | 1 | |
| 18 | 3871B-VE1-0000 | ECU UNIT SPEC. | 1 | |
| 20 | 94050-06080 | FLANGE NUT 6 MM | 1 | |

F18 FRAME BODY COMP



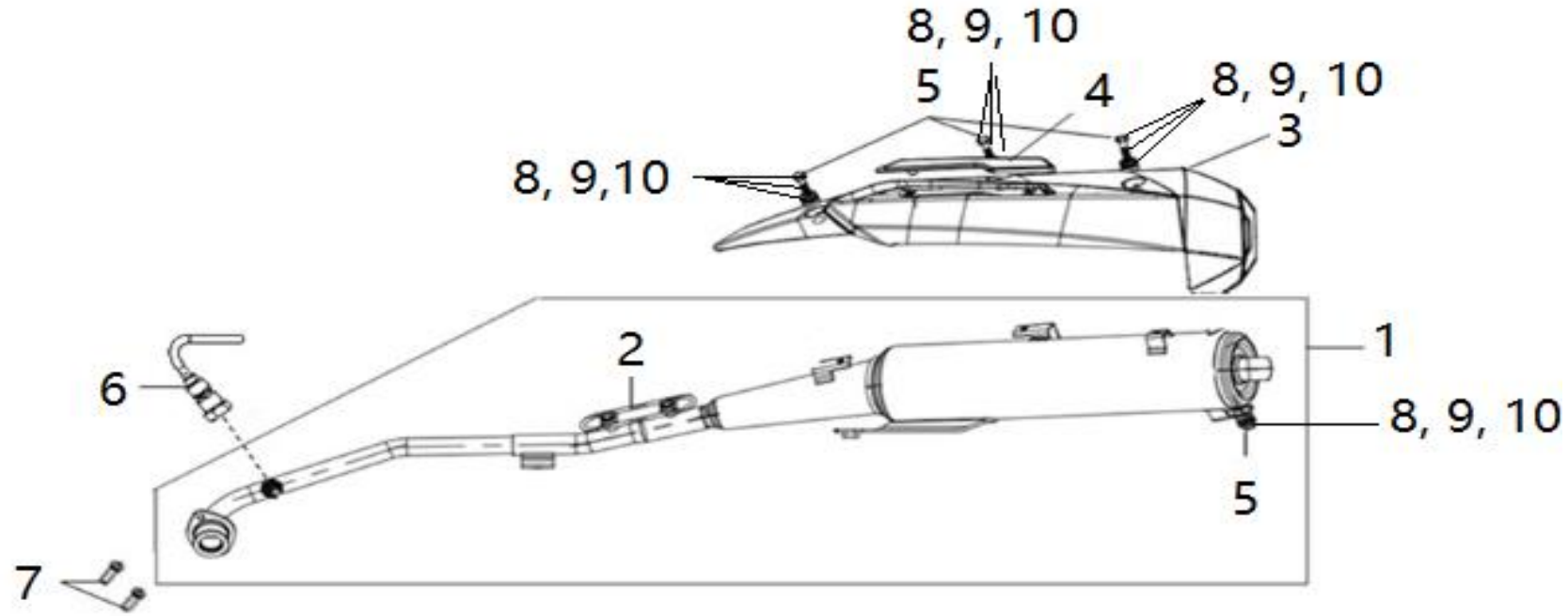
| No. | Part No. | Description | Unit | Remark |
|-----|---------------------|--------------------|------|--------|
| 21 | 95801-06032-08 | FLANGE BOLT 6X32 | 1 | |
| 22 | 38500-AVA-0000 | START RELAY ASS'Y | 1 | |
| 23 | 50201-VE1-0000 | ELEC. REALY STAY | 1 | |
| 24 | 3850A-HLA-010-A2-L1 | ELEC. RELAY ASSY | 2 | |
| 25 | 94101-10700 | PLAIN WASHER 10mm | 3 | |
| 26 | 90111-M9Q-8000 | FLANGE BOLT 6MM | 2 | |
| 28 | 90118-T15-900 | SPECIAL SCREW 5X14 | 4 | |
| 29 | 94050-08000 | FLANGE NUT 8 MM | 1 | |

F19 AIR CLEANER ASS'Y



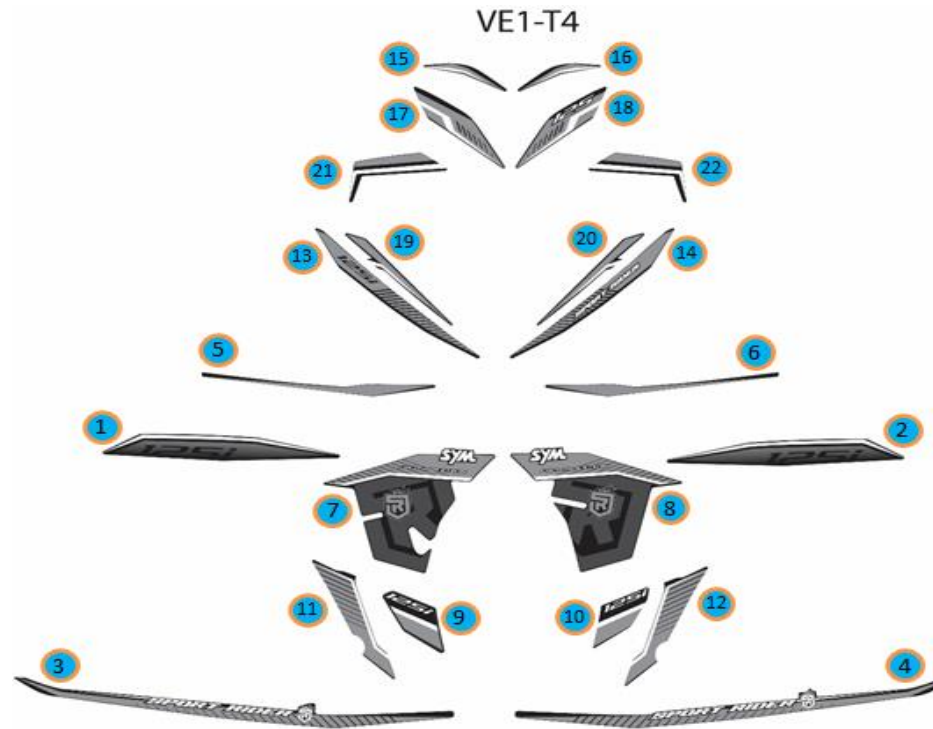
| No. | Part No. | Description | Unit | Remark |
|-----|----------------|---------------------------|------|--------|
| 1 | 17200-VE1-0002 | AIR CLEANER ASS'Y | 1 | |
| 2 | 17211-VE1-0002 | AIR CLEANER EMELENT COMP. | 1 | |
| 3 | 93903-25480 | TAPPING SCREW 5X20 | 5 | |

F20 EXH. MUFFLER ASS'Y



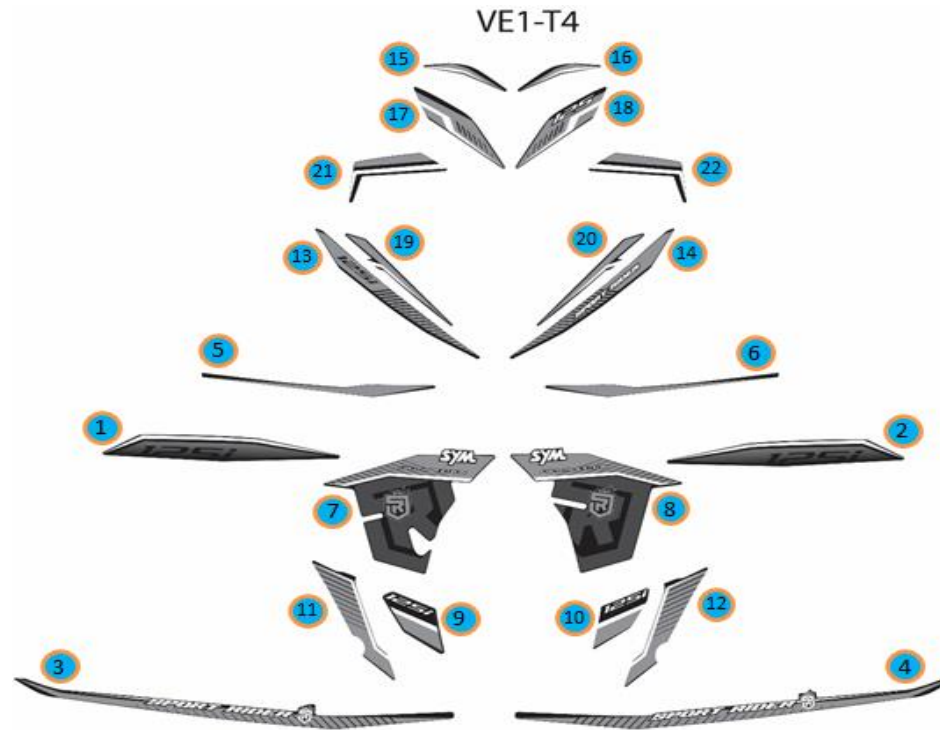
| No. | Part No. | Description | Unit | Remark |
|-----|--------------------|-----------------------------------|------|-----------------------------------------------------|
| 1 | 18000-VE1-900 | EXH. MUFFLER ASS'Y | 1 | Parent Part |
| 2 | 18240-VBA-000 | EXH. PIPE PROTECTOR | X | Please Order Parent Part 18000-VE1-900 (item F20-1) |
| 3 | 18318-VE1-0100-KDS | MUFFLER PROTECTOR (BK-001U/S-420) | 1 | |
| 4 | 18319-VE1-0000 | GARNISH PROTECTOR | 1 | |
| 5 | 93401-06022-07 | BOLT-WASHER 6*22 | 4 | |
| 6 | 37890-LHF-0000 | O2 SENSOR | 1 | |
| 7 | 90308-M36-0000 | CAP NUT 6mm | 2 | |
| 8 | 18321-L1A-000 | PROTECTOR RUBBER | 4 | |
| 9 | 18293-F3E-000 | PROTECTOR PACKING | 4 | |
| 10 | 90107-V02-000 | PLAIN WASHER | 4 | |

F21 STRIPE (2022 VERSION) - GREY



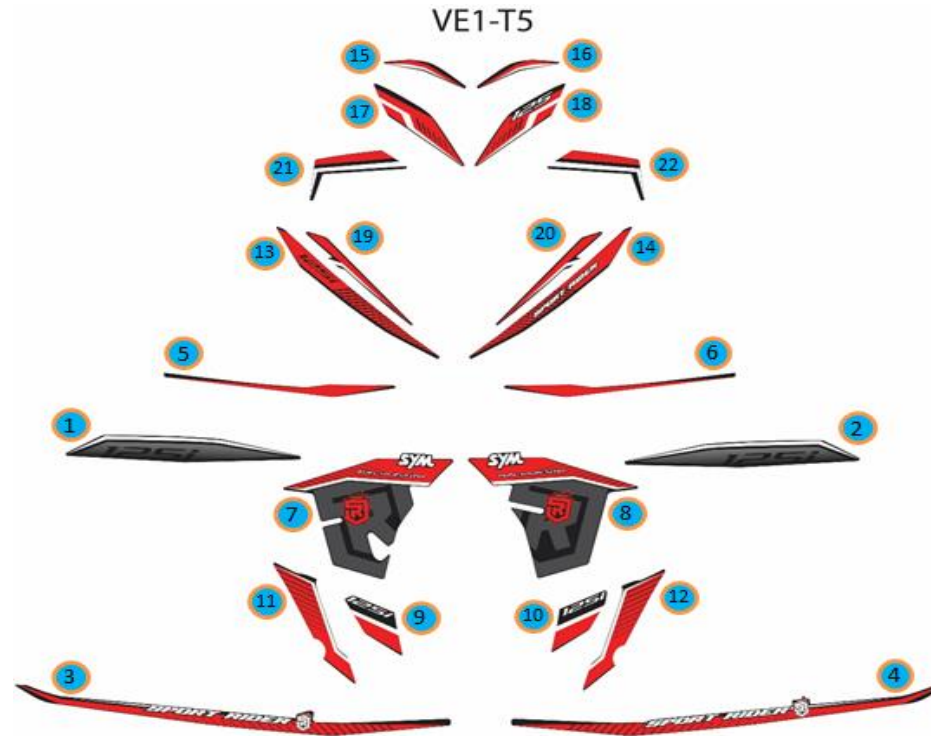
| No. | Part No. | Description | Unit | Remark |
|-----|-------------------|-----------------------------------------|------|--------|
| 1 | 87121-VE1-0001-T4 | R. BODY COVER STRIPE A (GREY) - 2022 | 1 | |
| 2 | 87122-VE1-0001-T4 | L. BODY COVER STRIPE A (GREY) - 2022 | 1 | |
| 3 | 87123-VE1-0002-T4 | R. BODY COVER STRIPE B (GREY) - 2022 | 1 | |
| 4 | 87124-VE1-0002-T4 | L. BODY COVER STRIPE B (GREY) - 2022 | 1 | |
| 5 | 87125-VE1-0000-T4 | R. BODY COVER STRIPE C (GREY) - 2022 | 1 | |
| 6 | 87126-VE1-0000-T4 | L. BODY COVER STRIPE C (GREY) - 2022 | 1 | |
| 7 | 87129-VE1-0001-T4 | R. FR. COVER STRIPE A (GREY) - 2022 | 1 | |
| 8 | 87130-VE1-0001-T4 | L. FR. COVER STRIPE A (GREY) - 2022 | 1 | |
| 9 | 87131-VE1-0001-T4 | R. FR. COVER STRIPE B (GREY) - 2022 | 1 | |
| 10 | 87132-VE1-0001-T4 | L. FR. COVER STRIPE B (GREY) - 2022 | 1 | |
| 11 | 87133-VE1-0002-T4 | R. FR. COVER STRIPE C (GREY) - 2022 | 1 | |
| 12 | 87134-VE1-0002-T4 | L. FR. COVER STRIPE C (GREY) - 2022 | 1 | |
| 13 | 87137-VE1-0001-T4 | R. FR. TOP COVER STRIPE A (GREY) - 2022 | 1 | |
| 14 | 87138-VE1-0001-T4 | L. FR. TOP COVER STRIPE A (GREY) - 2022 | 1 | |
| 15 | 87141-VE1-0000-T4 | R. HANDLE COVER STRIPE (GREY) - 2022 | 1 | |
| 16 | 87142-VE1-0000-T4 | L. HANDLE COVER STRIPE (GREY) - 2022 | 1 | |
| 17 | 87145-VE1-0001-T4 | R. FR. TOP COVER STRIPE B (GREY) - 2022 | 1 | |
| 18 | 87146-VE1-0001-T4 | L. FR. TOP COVER STRIPE B (GREY) - 2022 | 1 | |

F21 STRIPE (2022 VERSION) - GREY



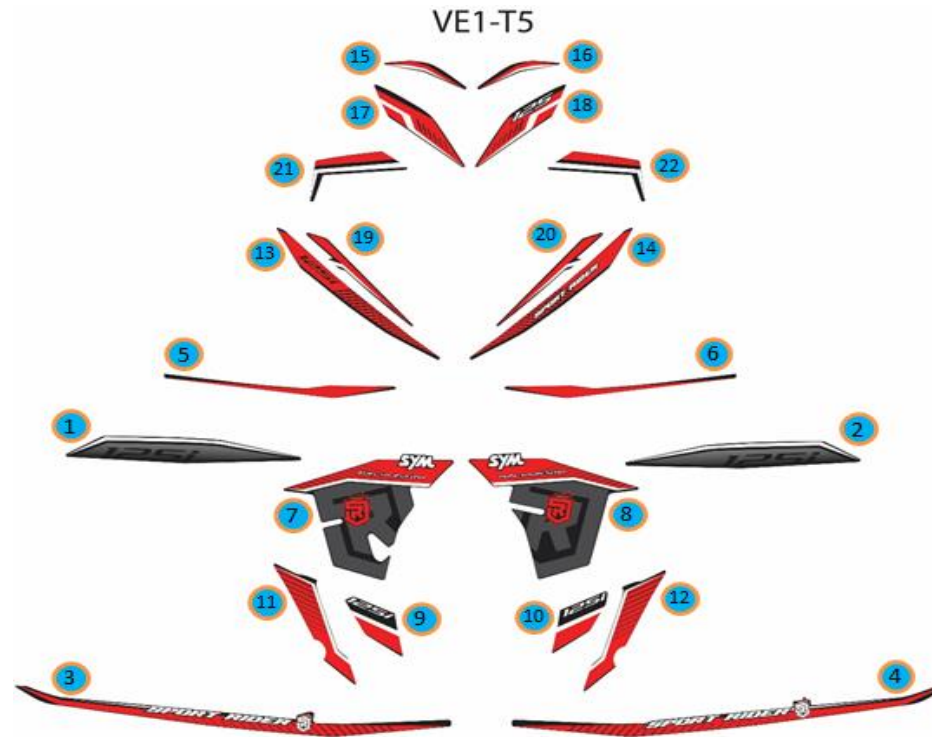
| No. | Part No. | Description | Unit | Remark |
|-----|-------------------|-----------------------------------------|------|--------|
| 19 | 87147-VE1-0001-T4 | R. FR. TOP COVER STRIPE C (GREY) - 2022 | 1 | |
| 20 | 87148-VE1-0001-T4 | L. FR. TOP COVER STRIPE C (GREY) - 2022 | 1 | |
| 21 | 87151-VE1-0001-T4 | R. UNDER COVER STRIPE (GREY) - 2022 | 1 | |
| 22 | 87152-VE1-0001-T4 | L. UNDER COVER STRIPE (GREY) - 2022 | 1 | |
| | 87000-VE1-0005-T4 | STRIPE ASSY (GRAY) - 2022 | 1 | |

F22 STRIPE (2022 VERSION) - RED



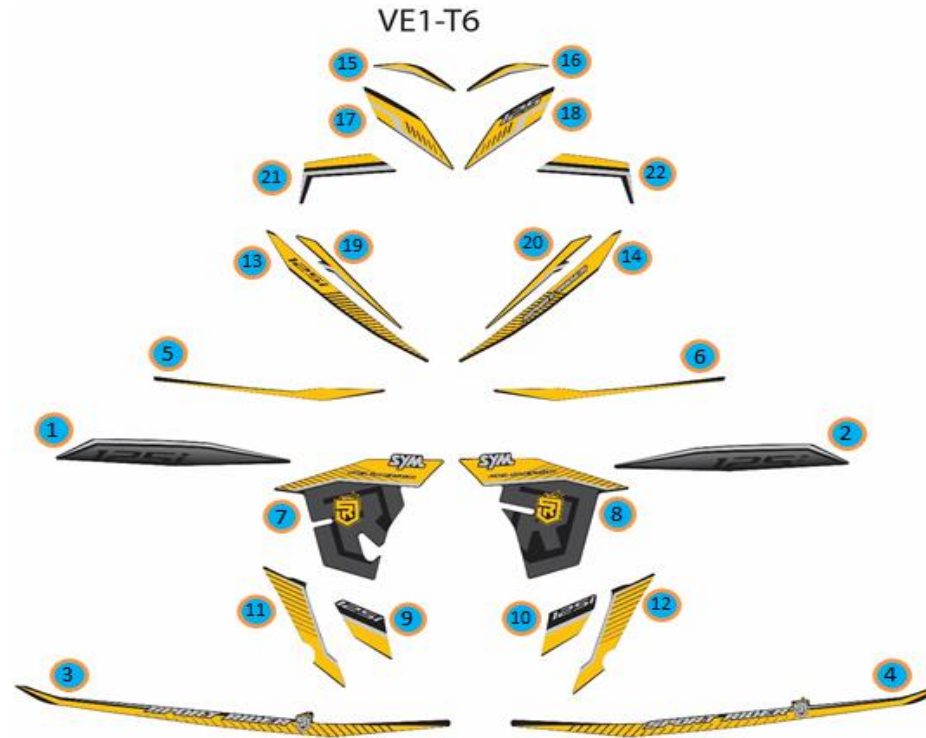
| No. | Part No. | Description | Unit | Remark |
|-----|-------------------|----------------------------------------|------|--------|
| 1 | 87121-VE1-0001-T5 | R. BODY COVER STRIPE A (RED) - 2022 | 1 | |
| 2 | 87122-VE1-0001-T5 | L. BODY COVER STRIPE A (RED) - 2022 | 1 | |
| 3 | 87123-VE1-0002-T5 | R. BODY COVER STRIPE B (RED) - 2022 | 1 | |
| 4 | 87124-VE1-0002-T5 | L. BODY COVER STRIPE B (RED) - 2022 | 1 | |
| 5 | 87125-VE1-0000-T5 | R. BODY COVER STRIPE C (RED) - 2022 | 1 | |
| 6 | 87126-VE1-0000-T5 | L. BODY COVER STRIPE C (RED) - 2022 | 1 | |
| 7 | 87129-VE1-0001-T5 | R. FR. COVER STRIPE A (RED) - 2022 | 1 | |
| 8 | 87130-VE1-0001-T5 | L. FR. COVER STRIPE A (RED) - 2022 | 1 | |
| 9 | 87131-VE1-0001-T5 | R. FR. COVER STRIPE B (RED) - 2022 | 1 | |
| 10 | 87132-VE1-0001-T5 | L. FR. COVER STRIPE B (RED) - 2022 | 1 | |
| 11 | 87133-VE1-0002-T5 | R. FR. COVER STRIPE C (RED) - 2022 | 1 | |
| 12 | 87134-VE1-0002-T5 | L. FR. COVER STRIPE C (RED) - 2022 | 1 | |
| 13 | 87137-VE1-0001-T5 | R. FR. TOP COVER STRIPE A (RED) - 2022 | 1 | |
| 14 | 87138-VE1-0001-T5 | L. FR. TOP COVER STRIPE A (RED) - 2022 | 1 | |
| 15 | 87141-VE1-0000-T5 | R. HANDLE COVER STRIPE (RED) - 2022 | 1 | |
| 16 | 87142-VE1-0000-T5 | L. HANDLE COVER STRIPE (RED) - 2022 | 1 | |
| 17 | 87145-VE1-0001-T5 | R. FR. TOP COVER STRIPE B (RED) - 2022 | 1 | |
| 18 | 87146-VE1-0001-T5 | L. FR. TOP COVER STRIPE B (RED) - 2022 | 1 | |

F22 STRIPE (2022 VERSION) - RED



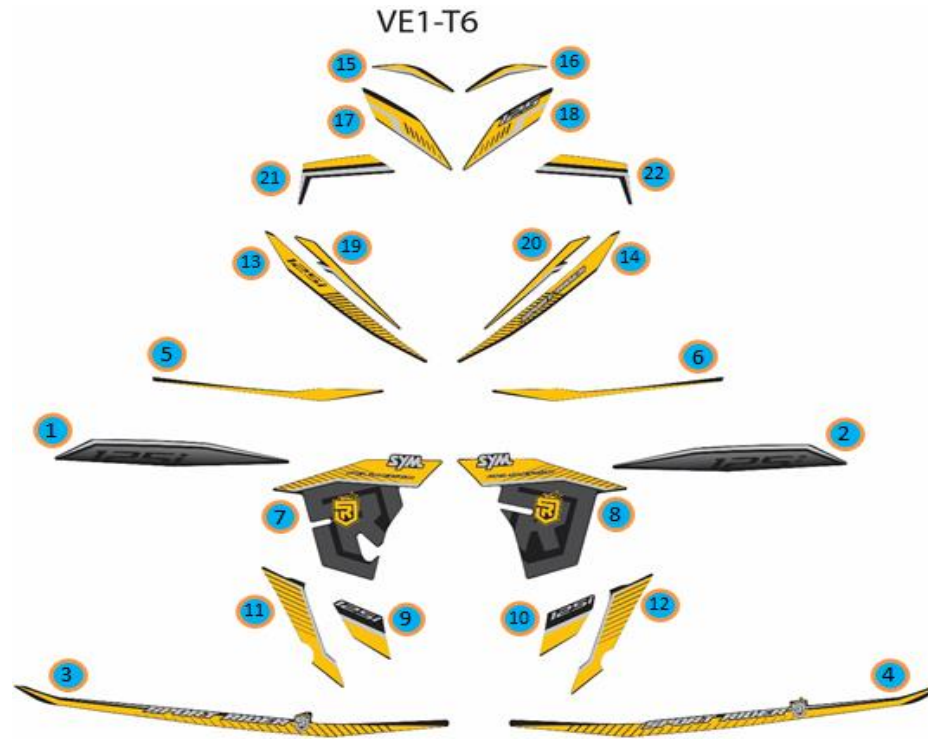
| No. | Part No. | Description | Unit | Remark |
|-----|-------------------|----------------------------------------|------|--------|
| 19 | 87147-VE1-0001-T5 | R. FR. TOP COVER STRIPE C (RED) - 2022 | 1 | |
| 20 | 87148-VE1-0001-T5 | L. FR. TOP COVER STRIPE C (RED) - 2022 | 1 | |
| 21 | 87151-VE1-0001-T5 | R. UNDER COVER STRIPE (RED) - 2022 | 1 | |
| 22 | 87152-VE1-0001-T5 | L. UNDER COVER STRIPE (RED) - 2022 | 1 | |
| | 87000-VE1-0005-T5 | STRIPE ASSY (RED) - 2022 | 1 | |

F23 STRIPE (2022 VERSION) - YELLOW



| No. | Part No. | Description | Unit | Remark |
|-----|-------------------|-------------------------------------------|------|--------|
| 1 | 87121-VE1-0001-T6 | R. BODY COVER STRIPE A (YELLOW) - 2022 | 1 | |
| 2 | 87122-VE1-0001-T6 | L. BODY COVER STRIPE A (YELLOW) - 2022 | 1 | |
| 3 | 87123-VE1-0002-T6 | R. BODY COVER STRIPE B (YELLOW) - 2022 | 1 | |
| 4 | 87124-VE1-0002-T6 | L. BODY COVER STRIPE B (YELLOW) - 2022 | 1 | |
| 5 | 87125-VE1-0000-T6 | R. BODY COVER STRIPE C (YELLOW) - 2022 | 1 | |
| 6 | 87126-VE1-0000-T6 | L. BODY COVER STRIPE C (YELLOW) - 2022 | 1 | |
| 7 | 87129-VE1-0001-T6 | R. FR. COVER STRIPE A (YELLOW) - 2022 | 1 | |
| 8 | 87130-VE1-0001-T6 | L. FR. COVER STRIPE A (YELLOW) - 2022 | 1 | |
| 9 | 87131-VE1-0001-T6 | R. FR. COVER STRIPE B (YELLOW) - 2022 | 1 | |
| 10 | 87132-VE1-0001-T6 | L. FR. COVER STRIPE B (YELLOW) - 2022 | 1 | |
| 11 | 87133-VE1-0002-T6 | R. FR. COVER STRIPE C (YELLOW) - 2022 | 1 | |
| 12 | 87134-VE1-0002-T6 | L. FR. COVER STRIPE C (YELLOW) - 2022 | 1 | |
| 13 | 87137-VE1-0001-T6 | R. FR. TOP COVER STRIPE A (YELLOW) - 2022 | 1 | |
| 14 | 87138-VE1-0001-T6 | L. FR. TOP COVER STRIPE A (YELLOW) - 2022 | 1 | |
| 15 | 87141-VE1-0000-T6 | R. HANDLE COVER STRIPE (YELLOW) - 2022 | 1 | |
| 16 | 87142-VE1-0000-T6 | L. HANDLE COVER STRIPE (YELLOW) - 2022 | 1 | |
| 17 | 87145-VE1-0001-T6 | R. FR. TOP COVER STRIPE B (YELLOW) - 2022 | 1 | |
| 18 | 87146-VE1-0001-T6 | L. FR. TOP COVER STRIPE B (YELLOW) - 2022 | 1 | |

F23 STRIPE (2022 VERSION) - YELLOW



| No. | Part No. | Description | Unit | Remark |
|-----|-------------------|-------------------------------------------|------|--------|
| 19 | 87147-VE1-0001-T6 | R. FR. TOP COVER STRIPE C (YELLOW) - 2022 | 1 | |
| 20 | 87148-VE1-0001-T6 | L. FR. TOP COVER STRIPE C (YELLOW) - 2022 | 1 | |
| 21 | 87151-VE1-0001-T6 | R. UNDER COVER STRIPE (YELLOW) - 2022 | 1 | |
| 22 | 87152-VE1-0001-T6 | L. UNDER COVER STRIPE (YELLOW) - 2022 | 1 | |
| | 87000-VE1-0005-T6 | STRIPE ASSY (YELLOW) - 2022 | 1 | |