

# DANH SÁCH PHỤ TÙNG

## PART CATALOGUE

### JET X - KC15CV-MY (VJE)

SPD申請單位			
Người Lập 承辦	Kiểm Tra 審核	Xác Nhận 確認	Xét Duyệt 承認

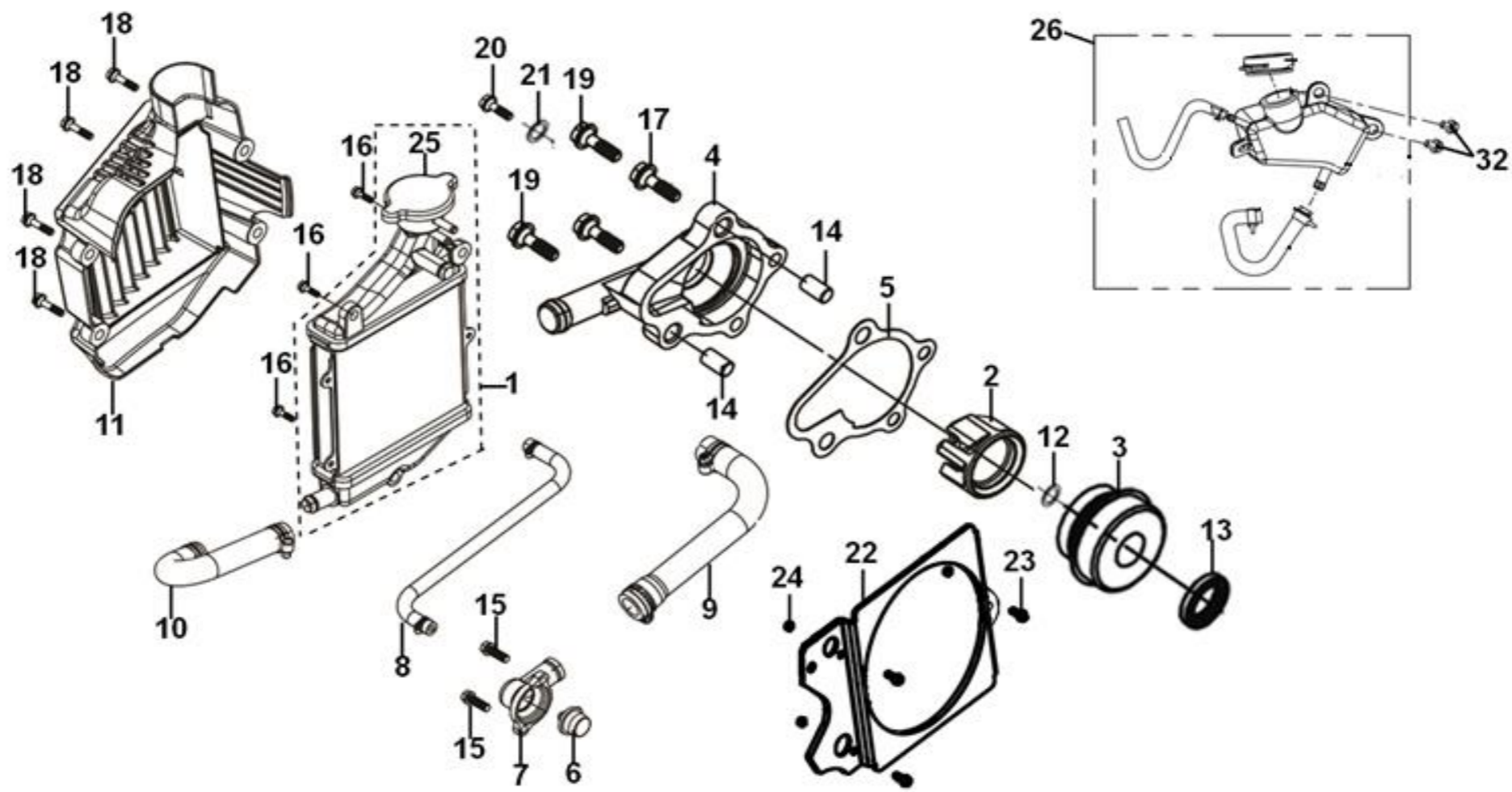
Ver. \_\_\_\_\_

Date: \_\_\_\_\_



E01 WATER PUMP

JET X - KC15CV-MY (VJE)



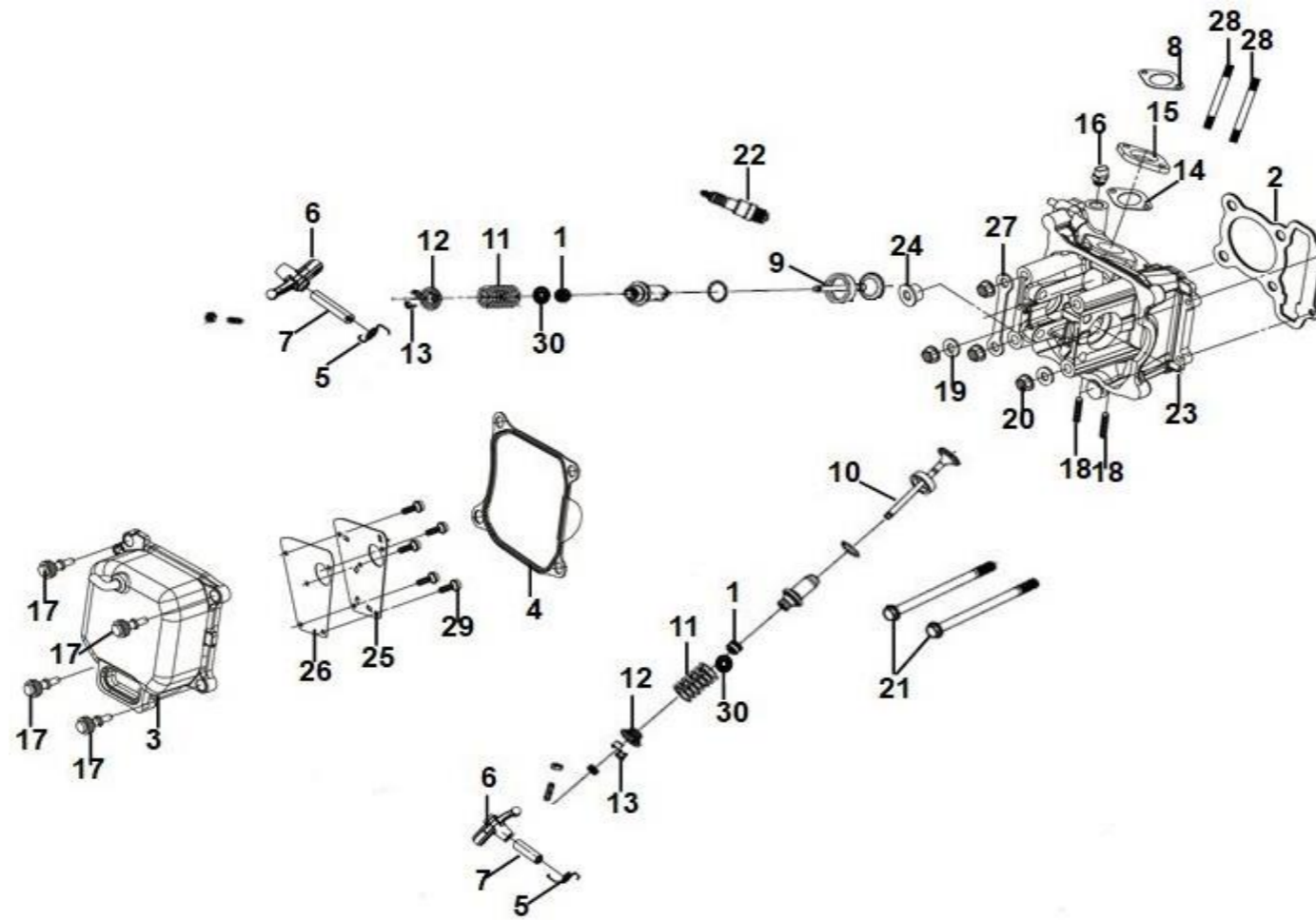
Pictures reference only

NO	PARTS NUMBER	PARTS NAME	QTY	REMARK
1	19000-MA2-000-VN	RADIATOR COMP.	1	
2	19215-MA1-000-VN	WATER PUMP IMPELLER	1	
3	19217-TL1-300	MECHANICAL SEAL	1	
4	19220-MA1-000-VN	WATER PUMP COVER COMP.	1	
5	19229-MA2-000-VN	WATER PUMP GASKET	1	
6	19300-MA1-000-VN	THERMOSTAT ASSY	1	
7	19315-MA1-000-VN	THERMOSTAT COVER	1	
8	19320-MA1-000-VN	WATER TUBE	1	
9	1951A-MA1-000-VN	THERMOSTAT HOSE ASSY	1	
10	1952A-MA1-000-VN	WATER HOSE C ASSY	1	
11	19610-MA2-000-VN	RADIATOR COVER	1	
12	90423-KJ9-000	WASHER 7.2*13*1.2 mm	1	
13	91205-KF0-003	OIL SEAL 12*20*5 mm	1	
14	94301-08140	DOWEL PIN 8X14 mm	2	
15	96001-06016-08	SH FLANGE BOLT 6 X 16 mm	2	
16	96001-06020	SH. FLANGE BOLT 6*20 mm	3	
17	96001-06022-02	FLANGE SH. BOLT 6*22 mm	2	
18	96001-06025-02	SH. FLANGE BOLT 6*25 mm	4	
19	96001-06030-02-VN	SH. FLANGE BOLT 6*30 mm	2	
20	96001-06010-00-L1	SH FLANGE BOLT 6 X 10 mm	1	
21	90441-D1A-A00-VN	SEALING WASHER 6 mm	1	
22	19520-MA2-000-VN	FAN PLATE	1	
23	90004-P9A-000-VN	SOCKET FLANGE BOLT 5*12 mm	1	
24	90032-ZBC-000-VN	U UNT 5 mm	1	
25	19100-MA2-000-VN	RADIATOR CAP ASSY	1	
26	1910A-X81-000-VN	Reserve tank ASSY	1	
32	95801-06012-07	Flange bolt 6x12	2	

●Please check the color & stripe information according to the color index !

E02 CYLINDER HEAD

JET X - KC15CV-MY (VJE)



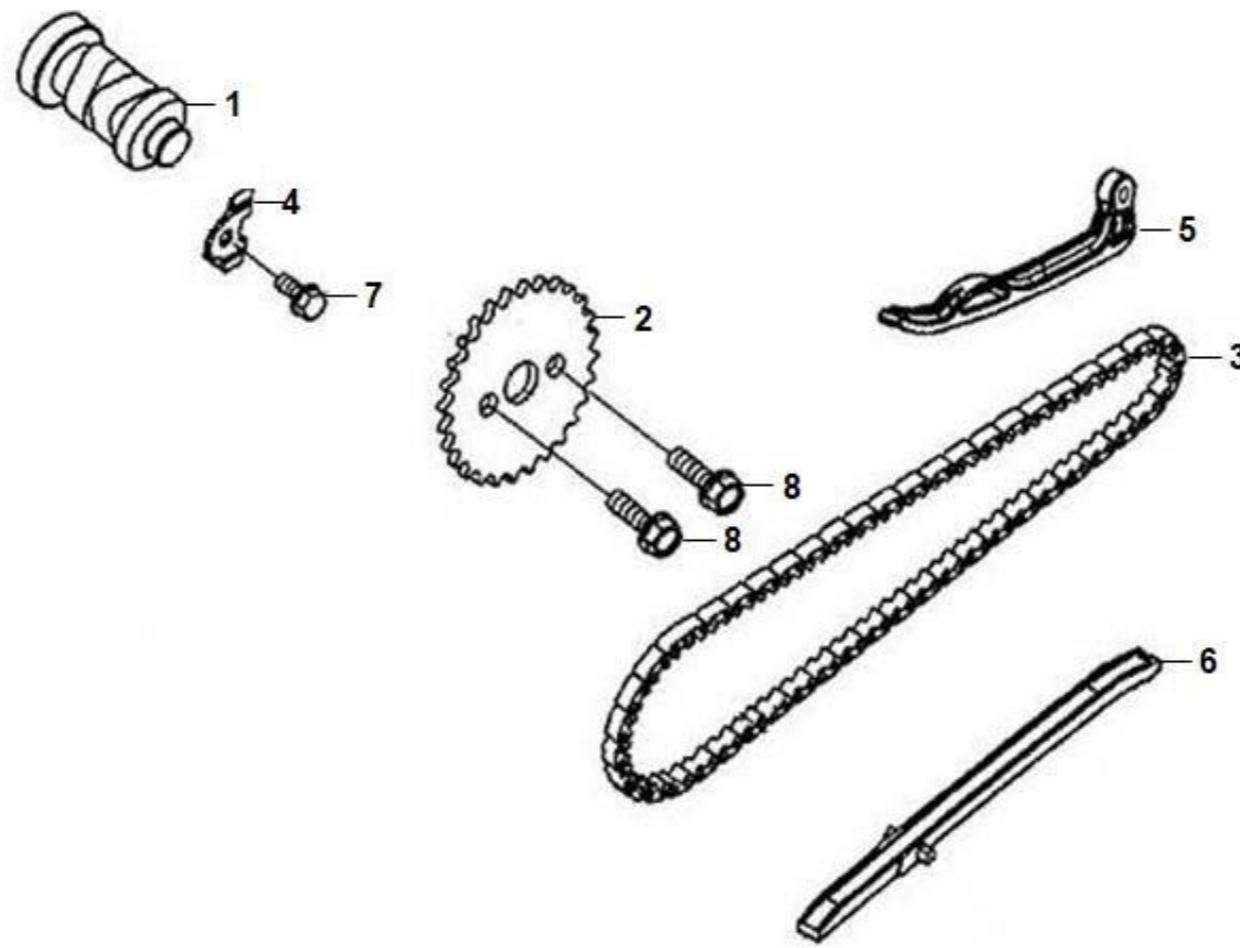
Pictures reference only

NO	PARTS NUMBER	PARTS NAME	QTY	REMARK
1	12209-H6B-0000	VALVE STEM SEAL	2	
2	12251-MA2-000-VN	CYLINDER HEAD GASKET	1	
3	12301-MA1-000-VN	CYL. HEAD COVER	1	
4	12391-MA1-000-VN	HEAD COVER PACKING	1	
5	14439-F62-0100-VN	ROCKER ARM TORSION SPRING	2	
6	1443A-MA1-010-VN	VALVE ROCKER ARM ASSY	2	
7	14452-MA1-000-VN	ROCKER ARM SHAFT	2	
8	16201-MA1-000-VN	CARB. INSULATOR GASKET	1	
9	14711-MA1-000-VN	INLET VALVE	1	
10	14721-MA1-000-VN	EXHAUST VALVE	1	
11	14751-ARA-000	VALVE SPRING	2	
12	14771-F6C-A00	VALVE SPRING RETAINER	2	
13	14781-A01-A00-A	VALVE COTTER	1 SET	4PCS/SET
14	16201-MA2-000-VN	CARB. INSULATOR GASKET	1	
15	16211-MA1-000-VN	CARB. INSULATOR	1	
16	37880-HLK-900-VN	COOLANT TEMPERATURE SENSOR	1	
17	90002-ANL-000-VN	HEAD COVER BOLT	4	
18	90034-HMA-0001	SPECIAL STUD BOLT 8*40 mm	2	
19	90442-028-000	SEALING WASHER 8 mm	2	
20	94050-08080	FLANGE NUT 8 mm	4	
21	96001-06095-08	SH FLANGE BOLT 6X95 mm	2	
22	AC-1PCR7HSA-3	SPARK PLUG ( CR7HSA )	1	
23	12200-ZBC-000-VN	CYLINDER HEAD COMP	1	
24	12205-HMA-300-VN	SEALING BOLT 16 mm	1	
25	12302-MA1-000-VN	BREATHER SEPARATER PLATE	1	
26	12308-MA2-000-VN	SEPARATE PLATE GASKET	1	
27	12392-MA1-000-VN	CYLINDER HEAD STAY	1	
28	92900-06050-0E	STUD BOLT 6*50 mm	2	
29	93903-34120	TAPPING SCREW 4*8 mm	5	
30	14775-MA1-000-VN	VALVE SPRING SEAT	2	

●Please check the color & stripe information according to the color index !

E03 CAM SHAFT & CYL. HEAD L. SIDE COVER

JET X - KC15CV-MY (VJE)



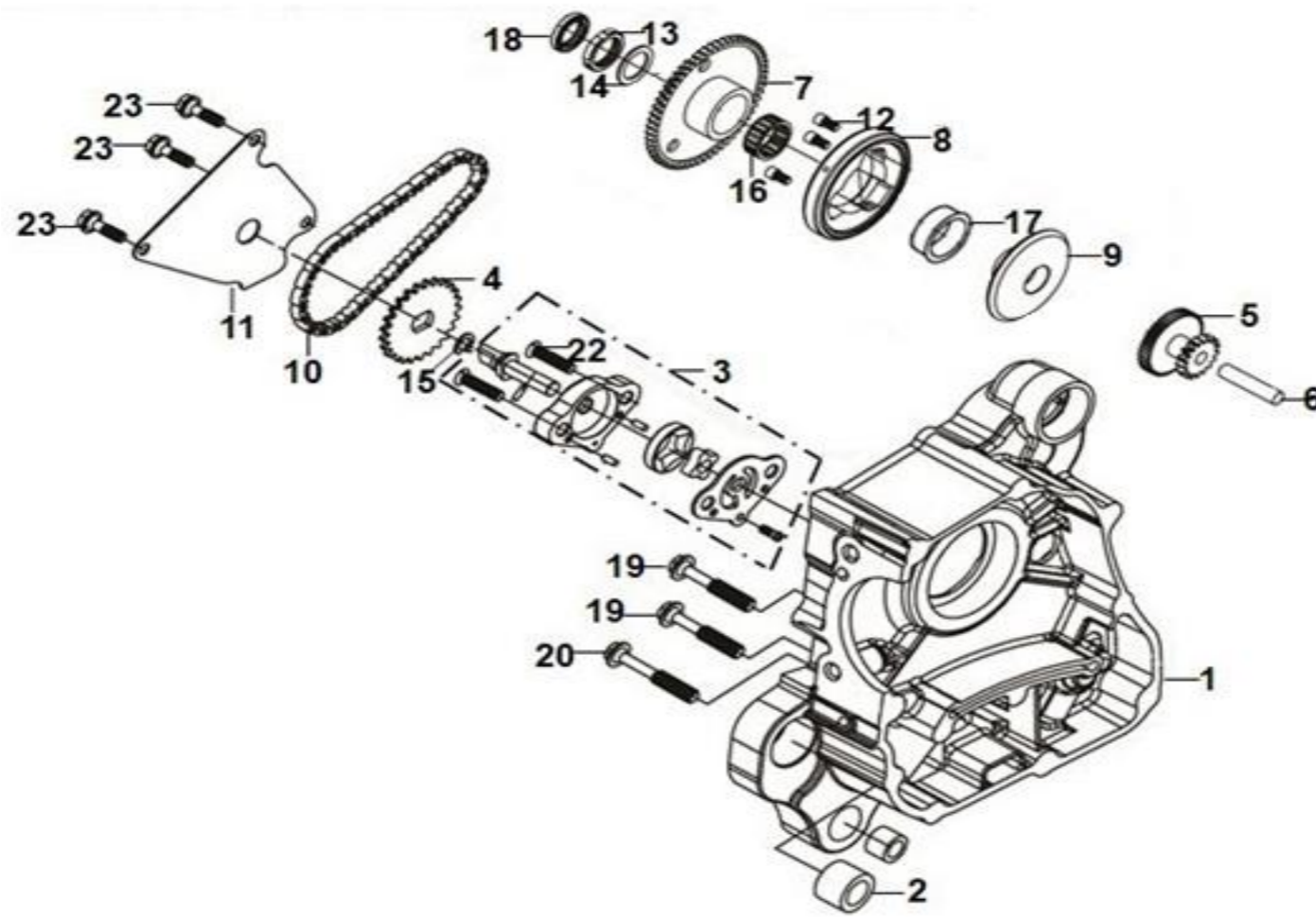
Pictures reference only

NO	PARTS NUMBER	PARTS NAME	QTY	REMARK
1	14100-MA1-000-VN	CAM SHAFT COMP	1	
2	14105-F6A-0000-VN	CAM SPROCKET	1	
3	14401-F6A-000-VN	CAM CHAIN	1	
4	14457-MA1-000-VN	CAM SHAFT SETTING PLATE	1	
5	14510-MA1-000-VN	CAM CHAIN TENSIONER	1	
6	14610-MA1-000-VN	CAM CHAIN GUIDE	1	
7	96001-06012-08	FLANGE BOLT SH. 6*12 mm	1	
8	90083-B12-000	KNOCK BOLT 6 mm	2	

●Please check the color & stripe information according to the color index !

E04 WATER PUMP ASSY

JET X - KC15CV-MY (VJE)



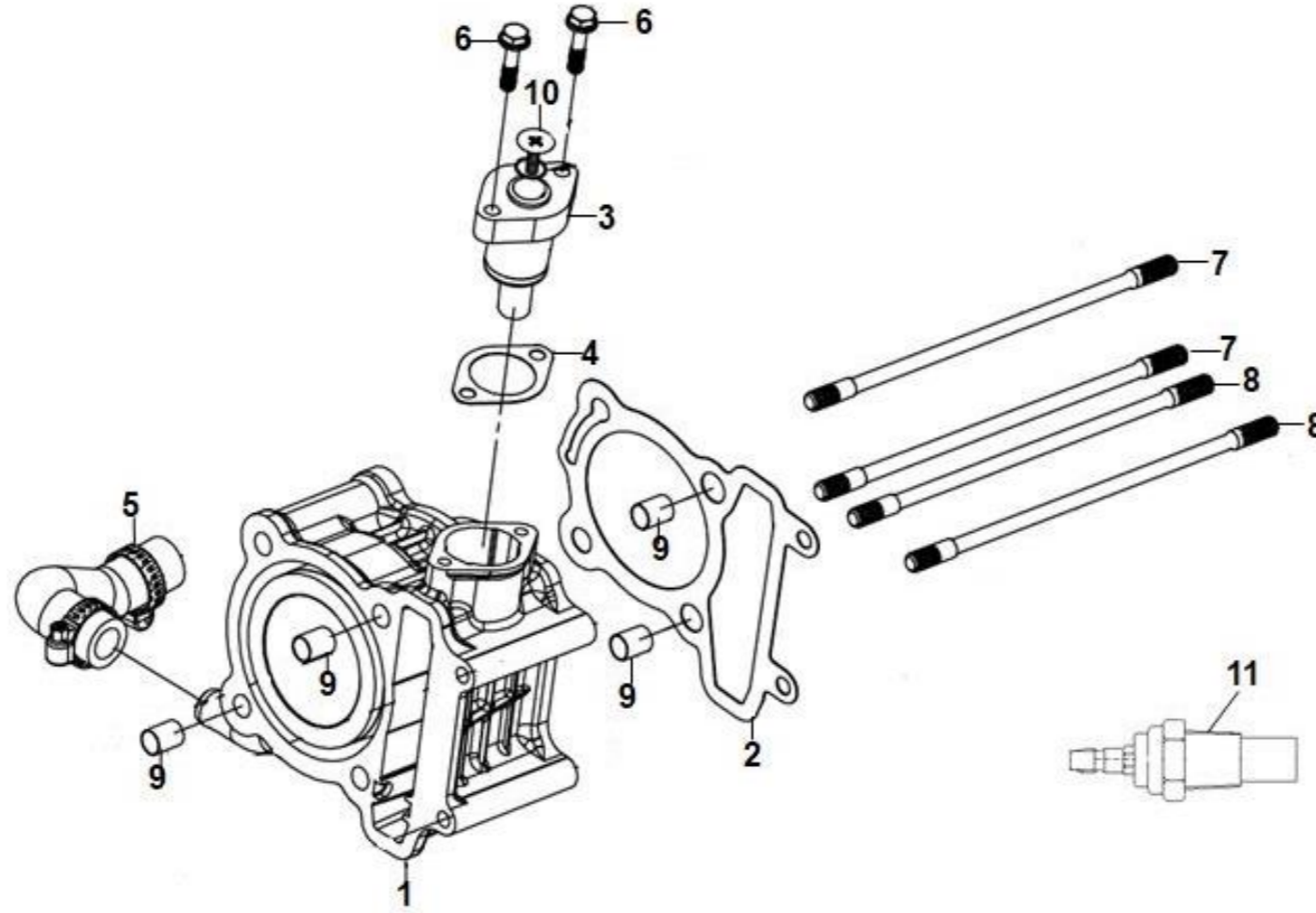
Pictures reference only

NO	PARTS NUMBER	PARTS NAME	QTY	REMARK
1	11100-MA1-000-VN	R. CRANK CASE COMP.	1	
2	11102-M9Q-3000-L1	ENG HANGER RUB BUSH	1	
3	15100-MA1-000-VN	OIL PUMP ASSY	1	
4	15133-HMA-000	OIL PUMP DRIVEN SPROCKET	1	
5	28101-GY6-9000-VN	GEAR STARTER REDUCTION	1	
6	28102-GY6-9000-VN	STARTER REDUCTION GEAR SHAFT	1	
7	28110-VVC-000	START. CLUTCH GEAR COMP.	1	
8	28123-XJA-000-VN	OUTER RING/OUTER RING	1	
9	28125-MA2-000-VN	STARTING CLUTCH FLANGE	1	
10	15141-MA1-000-VN	OIL PUMP DRIVE CHAIN 54L	1	
11	15711-MA1-000-VN	OIL PUMP SEPARATOR	1	
12	90002-XJA-000	FLAT RIVET	3	
13	90201-GY6-9000-VN	LOCK NUT 22 mm	1	
14	90403-M92-000	THRUST WASHER 22.2*31*1.5 mm	1	
15	94510-10000	EX CIRLIP 10 mm	2	
16	91104-M9Q-0000	N. BEARING 28*32*17 mm	1	
17	91105-VUA-010-VN	INNER RACE ASSY	1	
18	91201-M9Q-300-M2	OIL SEAL 19,8*30*5 mm	1	
19	96001-06045-08	SH. FLANGE BOLT 6X45 mm	1	
20	96001-06055-08	FLANGE BOLT SH. 6*55 mm	1	
22	93600-06025-0A	FLATE SCREW 6*25 mm	2	
23	96001-06012-08	FLANGE BOLT SH. 6*12 mm	3	

●Please check the color & stripe information according to the color index !

E05 CYLINDER

JET X - KC15CV-MY (VJE)



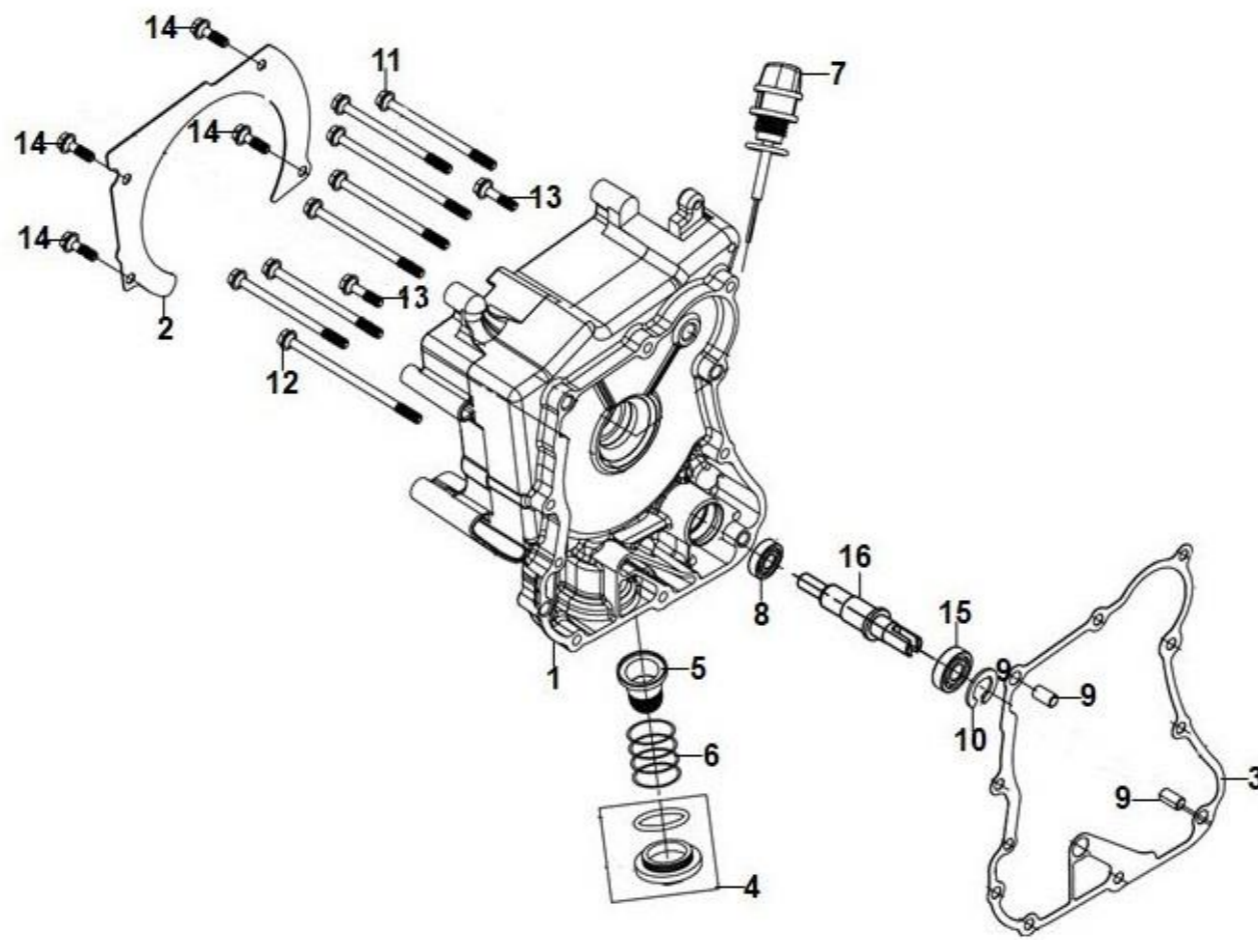
Pictures reference only

NO	PARTS NUMBER	PARTS NAME	QTY	REMARK
1	12100-MA2-000-VN	CYLINDER COMP	1	
2	12191-MA2-000-VN	CYLINDER GASKET	1	
3	14520-GY6-901	TENSIONER LIFTER ASSY	1	
4	14523-Z8G-000	TENSIONER LIFTER GASKET	1	
5	1950A-MA1-000-VN	WATER HOSE A ASSY	1	
6	90001-M9Q-0000	SH. FLANGE BOLT 6X22 mm	2	
7	90031-M92-000	CYLINDER STUD BOLT A	2	
8	90032-A6A-0000-VN	CYLINDER STUD BOLT B	2	
9	90703-M8Q-0003	DOWEL PIN 10*14 mm	4	
10	90005-KW1-9000	PAN SCREW 6*6 mm	1	
11	37750-PC1-004-E2-VN	THERMO UNIT ASSY.	1	

●Please check the color & stripe information according to the color index !

E06 R. CRANK CASE COVER

JET X - KC15CV-MY (VJE)

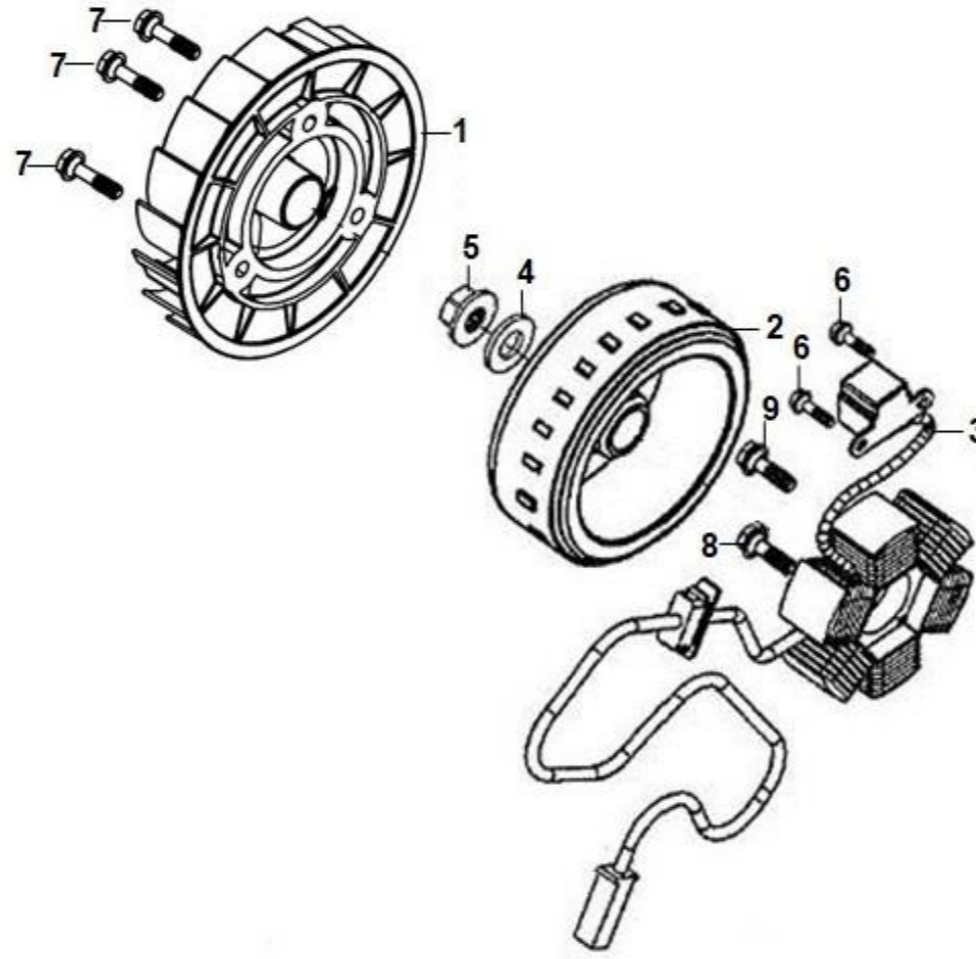


Pictures reference only

NO	PARTS NUMBER	PARTS NAME	QTY	REMARK
1	11331-MA1-010-VN	R.CRANK CASE COVER	1	
2	11336-MA1-000-VN	R. COVER PLATE	1	
3	11394-MA2-000-VN	R. COVER GASKET	1	
4	1236A-M9T-000	TAPPET ADJ. HOLE CAP ASSY	1	
4-2	91302-M9Q-0000	O RING 30.8 X 3.2mm	1	
5	15421-H66-0000-VN	OIL FILTER SCREEN	1	
6	15426-M9Q-000	OIL FILTER SCREEN SPRING	1	
7	1565A-X81-000-VN	OIL LEVEL GAUGE ASSY	1	
8	91001-KJ9-005	RADIAL BALL BRG. 6901	1	
9	94301-08140	DOWEL PIN 8X14 mm	2	
10	94520-26000	IN CIRCLIP 26 mm	1	
11	96001-06095-08	SH FLANGE BOLT 6X95 mm	6	
12	96001-06100-08	SH.FLANGE BOLT 6*100 mm	2	
13	96001-06030-08	SH FLANGE BOLT 6*30 mm	2	
14	96001-06012-08	FLANGE BOLT SH. 6*12 mm	4	
15	96100-60000-00	R. BEARING 6000	1	
16	19231-MA1-000-VN	WATER PUMP SHAFT	1	

●Please check the color & stripe information according to the color index !

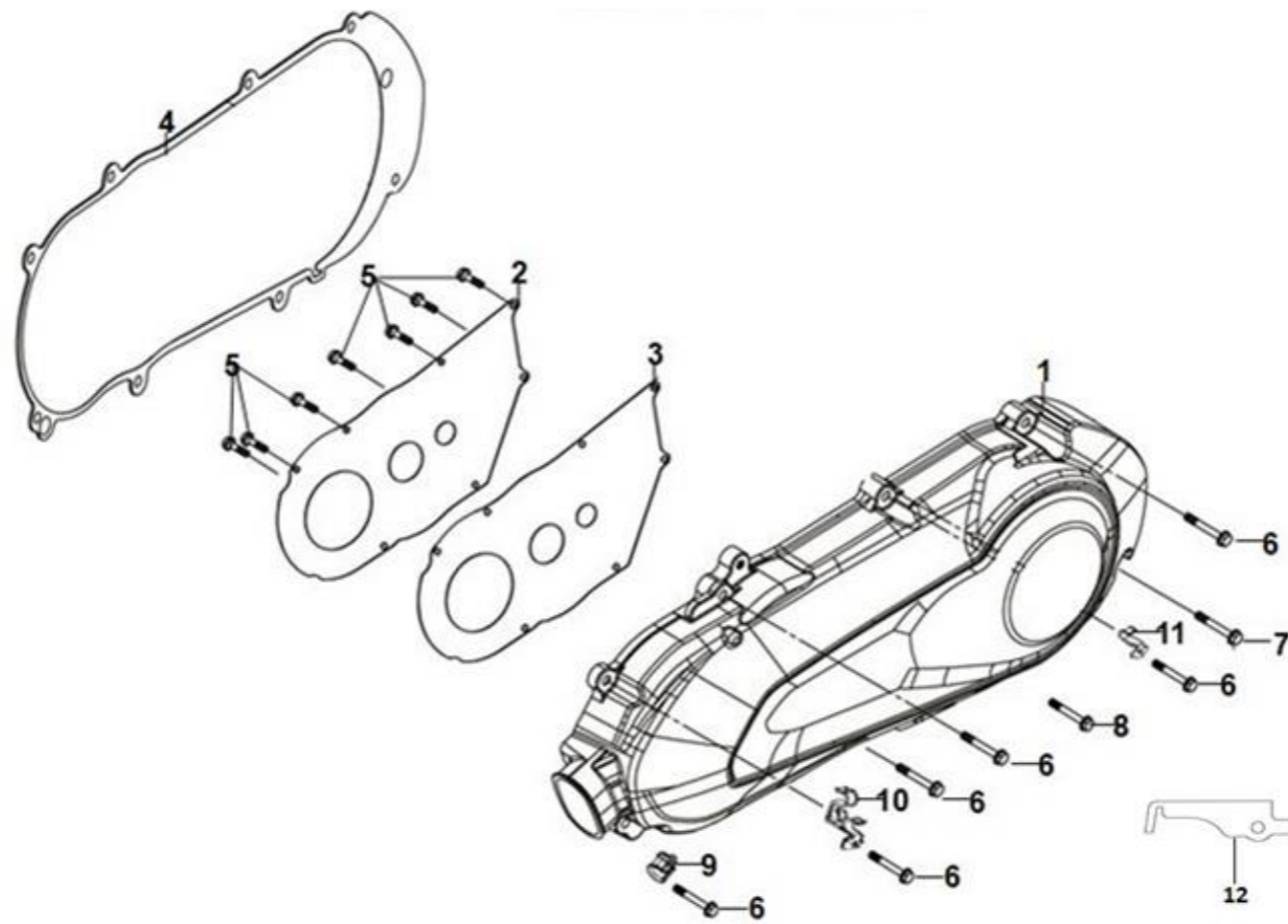




Pictures reference only

NO	PARTS NUMBER	PARTS NAME	QTY	REMARK
1	19510-MA2-000-VN	COOLING FAN COMP	1	
2	31110-MA1-000-VN	FLYWHEEL ASSY	1	
3	31120-MA1-000-VN	STARTOR COMP.	1	
4	90440-166-000	PLAIN WASHER 12.2 mm	1	
5	94050-12000	FLANGE NUT 12 mm	1	
6	92101-05012-0A	HEX BOLT 5 X 12 mm	2	
7	96001-06018-08	FLANGE BOLT SH. 6*18 mm	3	
8	96001-06028-08	SH FLANGE BOLT 6*28 mm	1	
9	96001-06020	FLANGE BOLT SH. 6*20 mm	1	

●Please check the color & stripe information according to the color index !



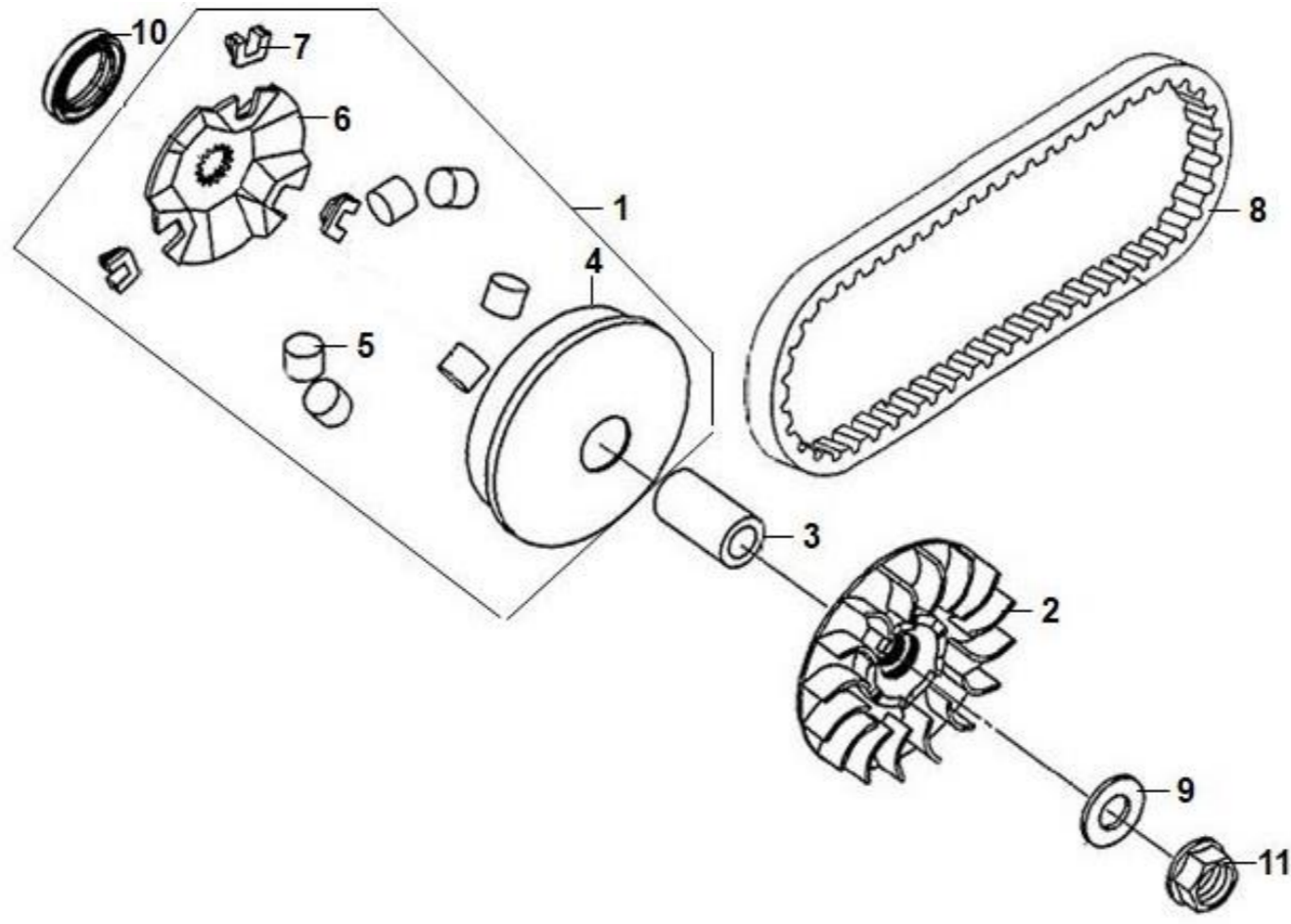
Pictures reference only

NO	PARTS NUMBER	PARTS NAME	QTY	REMARK
1	11341-XR4-000-VN	L. CRANK CASE COVER ( NH-105 )	1	Black
2	11342-ARA-000	L. SIDE COVER PLATE	1	
3	11343-XRB-000	L. SIDE COVER PLATE GASKET	1	
4	11395-XRB-000	L. COVER GASKET	1	
5	92101-05012-0A	HEX BOLT 5 X 12 mm	7	
6	96001-06028-00	SH FLANGE BOLT 6*28 mm	6	
7	96001-06035-00	FLANGE BOLT SH. 6*35 mm	1	
8	96001-06020	FLANGE BOLT SH. 6*20 mm	1	
9	11383-GY6-A000-VN	BRAKE CABLE CLAMPER	1	
10	11382-X8A-000-VN	TUBE CLAMPER	1	
11	11382-ARB-0001-VN	BRAKE CABLE CLAMPER B	1	
12	11348-XM1-000-VN	WATER RETAINING PLATE	1	

●Please check the color & stripe information according to the color index !

E09 MOVABLE DRIVE FACE ASS'Y

JET X - KC15CV-MY (VJE)



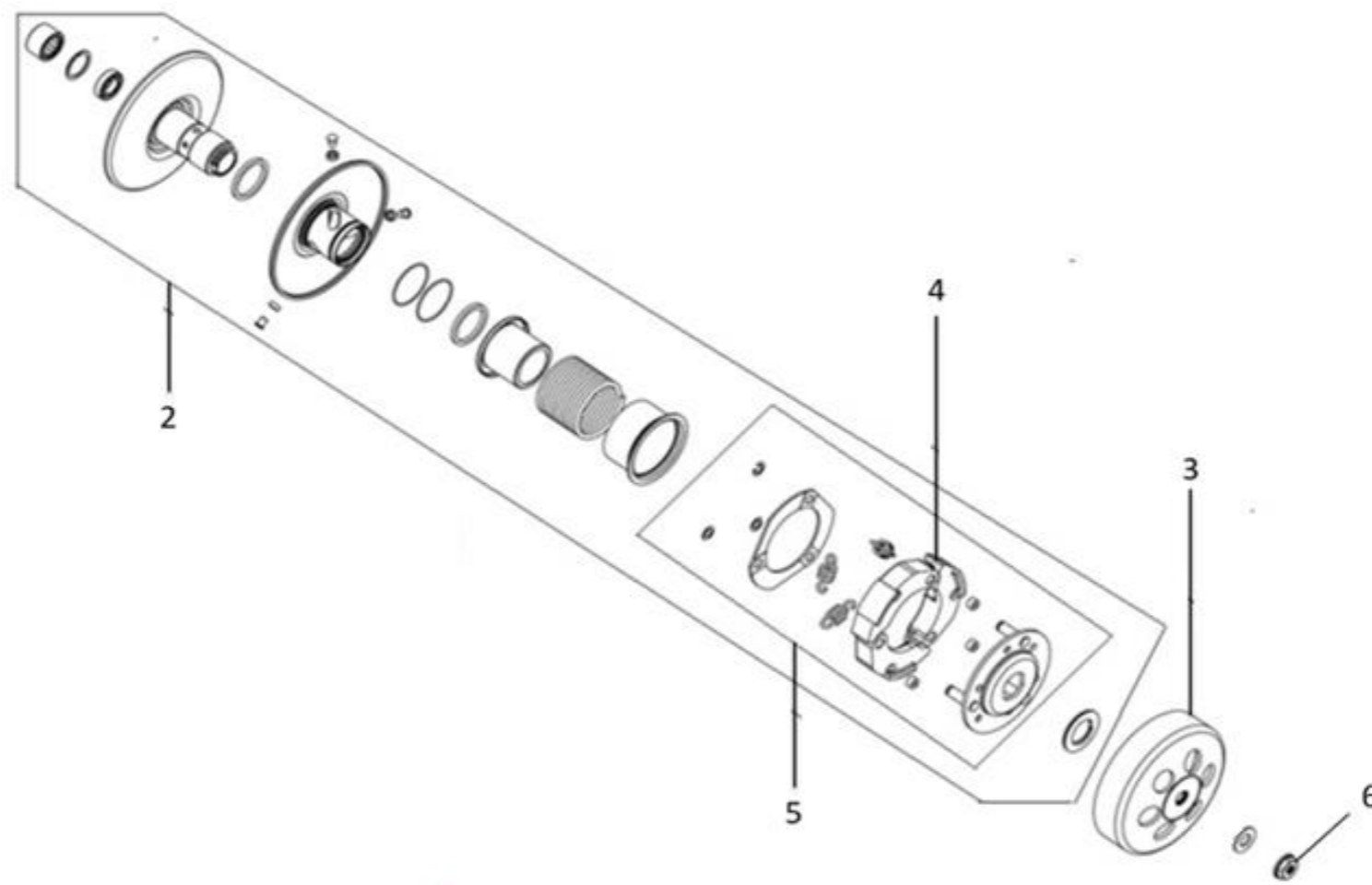
Pictures reference only

NO	PARTS NUMBER	PARTS NAME	QTY	REMARK
1	2211A-X92-000	MOVABLE DRIVE FACE	1	
2	22102-HJA-000	DRIVE FACE	1	
3	22105-MA1-000	DRIVE FACE BOSS	1	
4	22110-MA1-000	MOVABLE DRIVE FACE COMP.	1	
5	22121-X92-000	WEIGHT ROLLER COMP.	6	
6	22131-MA1-000	RAMP PLATE	1	
7	22132-RA1-000	SLIDE PIECE	3	
8	23100-MB1-010-VN	DRIVE BELT	1	
9	90440-166-000	PLAIN WASHER 12.2 mm	1	
10	91204-HMA-0005-M2-VN	OIL SEAL TC25*40*7 mm	1	
11	94050-12000	FLANGE NUT 12 mm	1	

●Please check the color & stripe information according to the color index !

E10 DRIVEN PULLEY ASS'Y

JET X - KC15CV-MY (VJE)



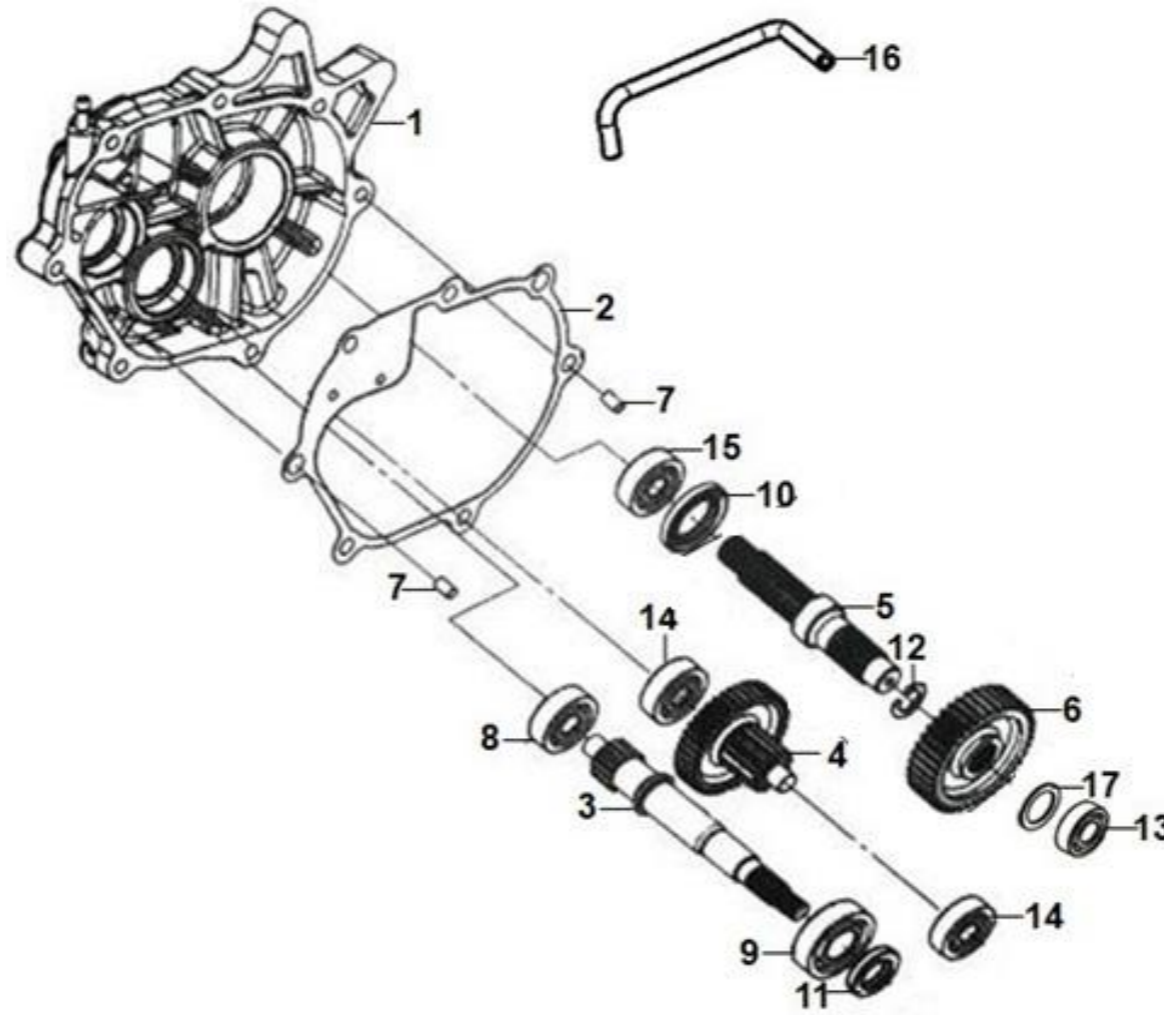
Pictures reference only

NO	PARTS NUMBER	PARTS NAME	QTY	REMARK
2	23010-X96-000	DRIVEN PULLEY ASSY.	1	
3	22101-M9Q-000	CLUTCH OUTER	1	
4	22530-F62-000	CLUTCH WEIGHT	1	
5	22300-X96-000	DRIVE PLATE ASSY.	1	
6	94050-12000	FLANGE NUT 12 mm	1	

●Please check the color & stripe information according to the color index !

E11 MISSION CASE & DRIVE SHAFT

- KC15CV-MY (VJE)



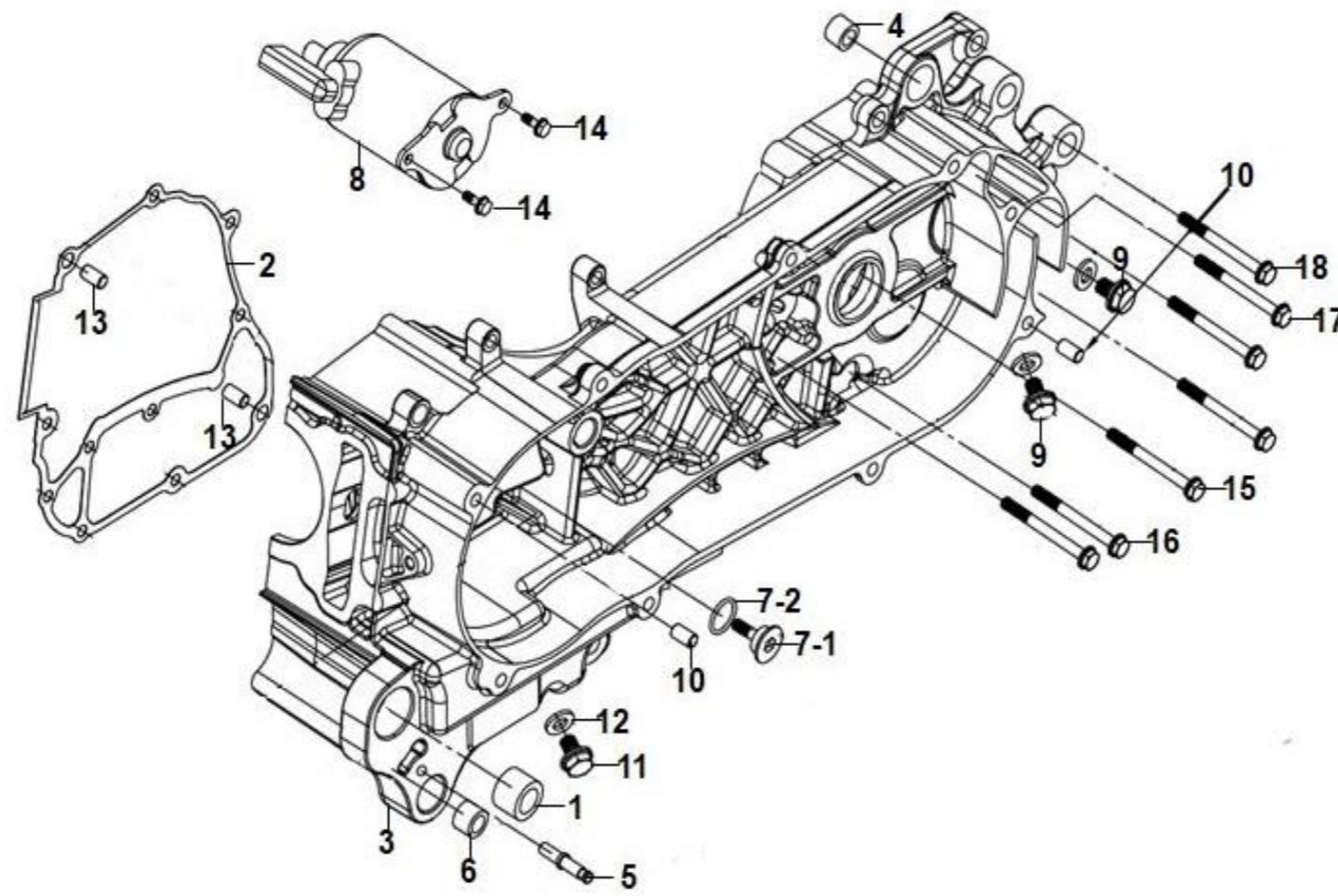
Pictures reference only

NO	PARTS NUMBER	PARTS NAME	QTY	REMARK
1	21200-ZBC-000-VN	MISSION CASE COMP.	1	
2	21395-MA2-000-VN	MISSION COVER GASKET	1	
3	23411-XM1-000-VN	DRIVE SHAFT	1	
4	23420-MA2-010-VN	COUNTER SHAFT COMP	1	
5	23431-AR1-0001-VN	FINAL SHAFT	1	
6	23432-ANL-000-VN	FINAL GEAR 42T	1	
7	90703-M8Q-0003	DOWEL PIN 10*14 mm	2	
8	91003-M8Q-000	RADIAL BALL BRG.6301 TMB	1	
9	91104-KN7-670	RADIAL BALL BRG. 6204 TMB	1	
10	91203-A6A-0000-VN	OIL SEAL TC34*52*8 mm	1	
11	91202-KJ9-0030-M1-VN	OIL SEAL 20*32*6 mm	1	
12	94510-25000	EX. CIRCLIP 25 mm	1	
13	96100-62033-10	RADIAL BALL BRG. 6203	1	
14	96100-63013-00	R. BEARING 6301	2	
15	96150-62050-10	RADIAL BALL BEARING 6205LLU	1	
16	11221-ANL-000-VN	MISSION BREATHER TUBE	1	
17	90401-ANL-0000-VN	WASHER 17*30*1 mm	1	

●Please check the color & stripe information according to the color index !

E12 CRANK SHAFT - PISTON

JET X - KC15CV-MY (VJE)



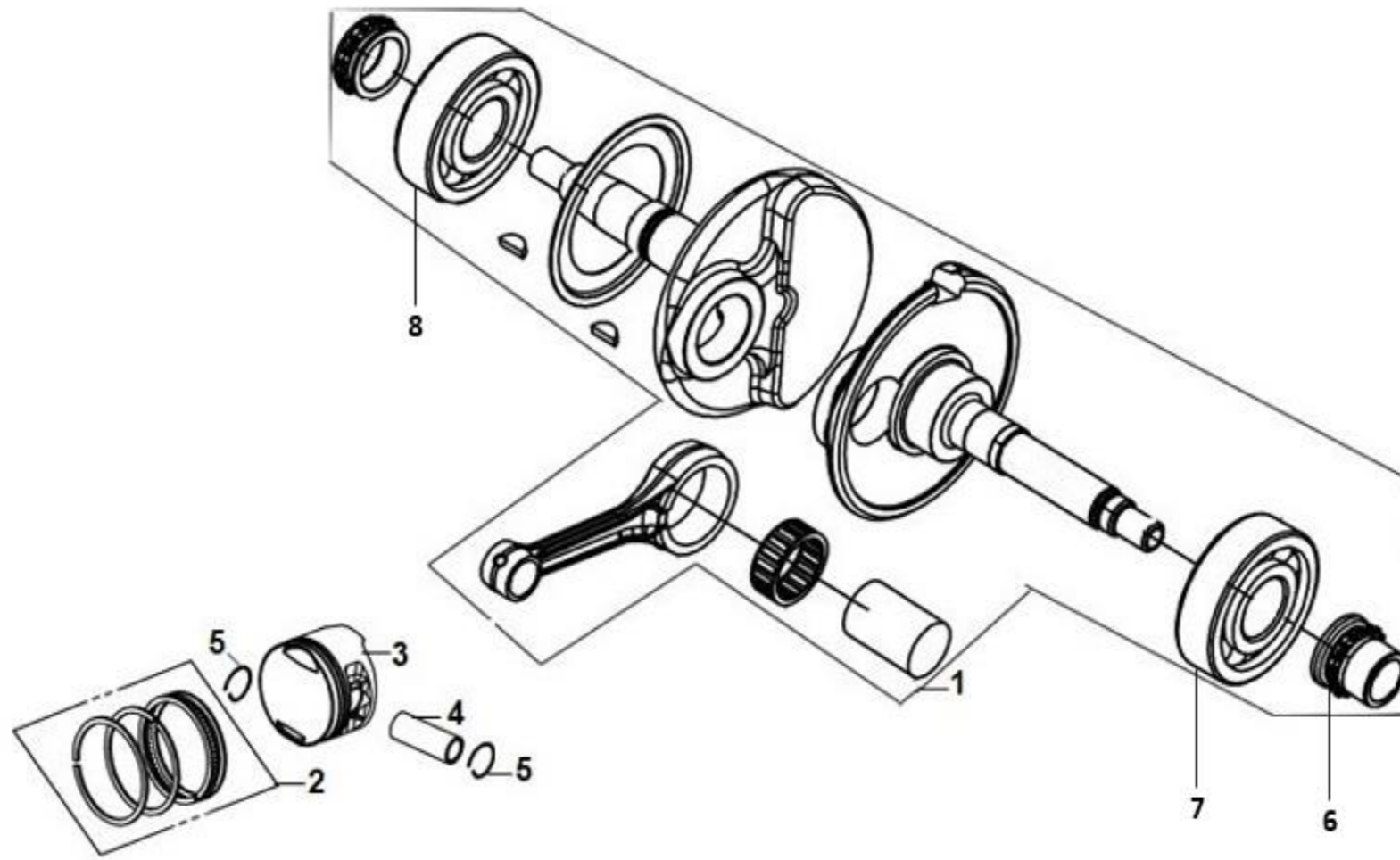
Pictures reference only

NO	PARTS NUMBER	PARTS NAME	QTY	REMARK
1	11102-M9Q-3000-L1	ENG HANGER RUB BUSH	2	
2	11192-MA2-000-VN	R. CRANK CASE GASKET	1	
3	11200-ZBC-000-VN	L.CRANK CASE COMP	1	
4	11203-M9Q-3000-VN	RR. CUSHION UNDER RUBBER BUSH	1	
5	11204-ABA-0000-VN	SPRING HOOK PIN	1	
6	11205-F6A-300	M. STAND BUSH	1	
7-1	14531-M9Q-0000	PIVOT CAM CHAIN TENSIONER	1	
7-2	91301-GR0-003	O-RING 15.2*1.5 mm	1	
8	31200-ARA-0002-VN	START MOTOR ASSY	1	
9	90103-M9Q-000	SPECIAL BOLT 8 mm	2	
10	90703-M8Q-0003	DOWEL PIN 10*14 mm	2	
11	92800-12000	DRAIN PLUG BOLT 12 mm	1	
12	94109-12000	DRAIN PLUG WASHER	1	
13	94301-08140	DOWEL PIN 8X14 mm	2	
14	96001-06016-08	SH FLANGE BOLT 6 X 16 mm	2	
15	95701-08055-00	SH. FLANGE BOLT 8*55 mm	2	
16	95701-08060-00	FLANGE BOLT 8*60 mm	1	
17	95701-08065-00	FLANGE BOLT 8*65 mm	3	
18	95701-08068-00	FLANGE BOLT 8*68 mm	1	

●Please check the color & stripe information according to the color index !

E13 CRANK SHAFT

JET X - KC15CV-MY (VJE)



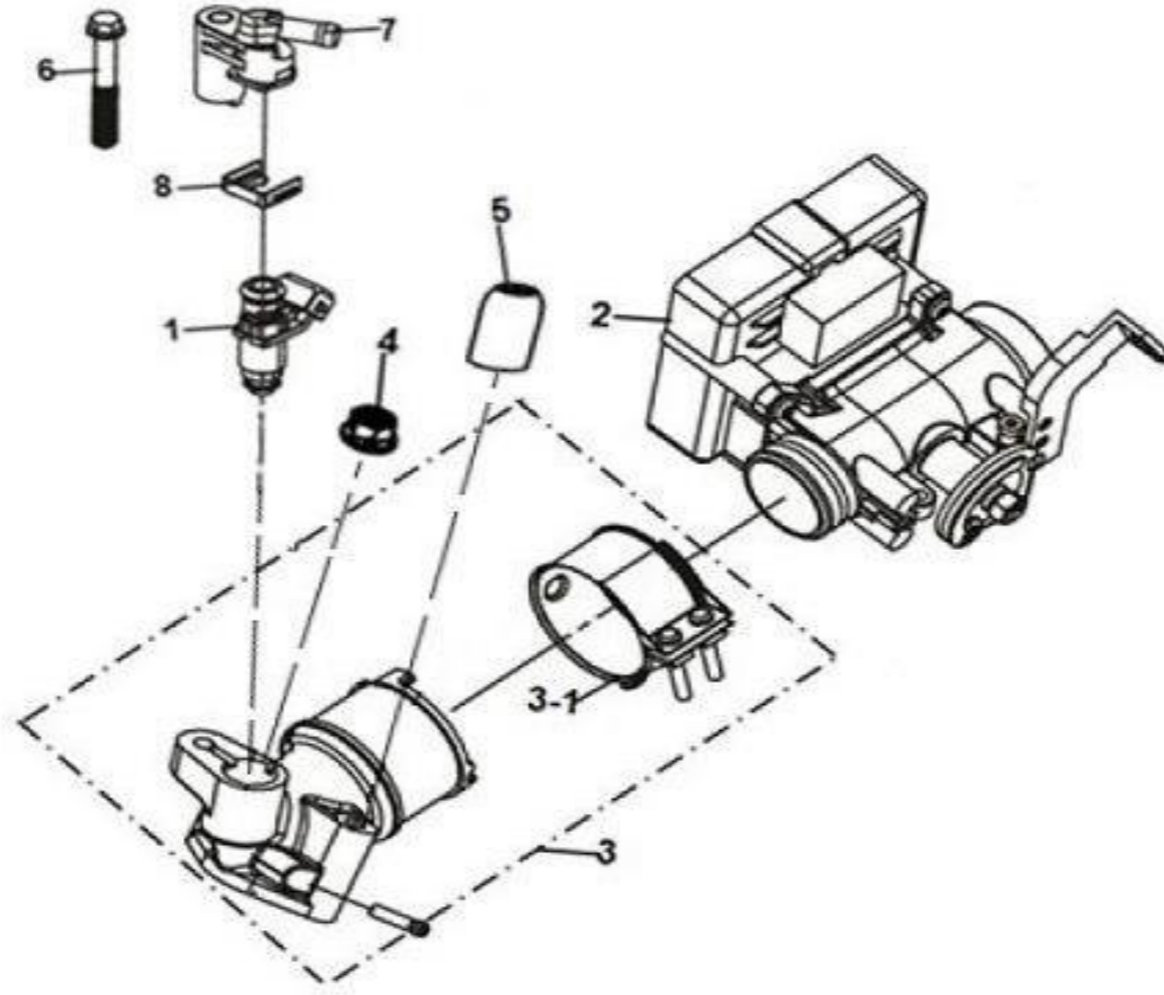
Pictures reference only

NO	PARTS NUMBER	PARTS NAME	QTY	REMARK
1	13000-MA2-050-VN	CRANK SHAFT COMP	1	
2	13010-MA2-000-VN	PISTON RING SET	1	
3	13101-MA2-000-VN	PISTON	1	
4	13111-M4Q-0000	PISTON PIN	1	
5	94601-15000	PISTON PIN CLIP 15MM	2	
6	14311-ARA-300-VN	TIMING SPROCKET	1	
7	91001-F6A-300	RADIAL BALL BRG. TMB207C3	1	
8	91001-H6B-300	RADIAL BALL BEARING.63/22	1	

●Please check the color & stripe information according to the color index !

E14 ECU SET

JET X - KC15CV-MY (VJE)

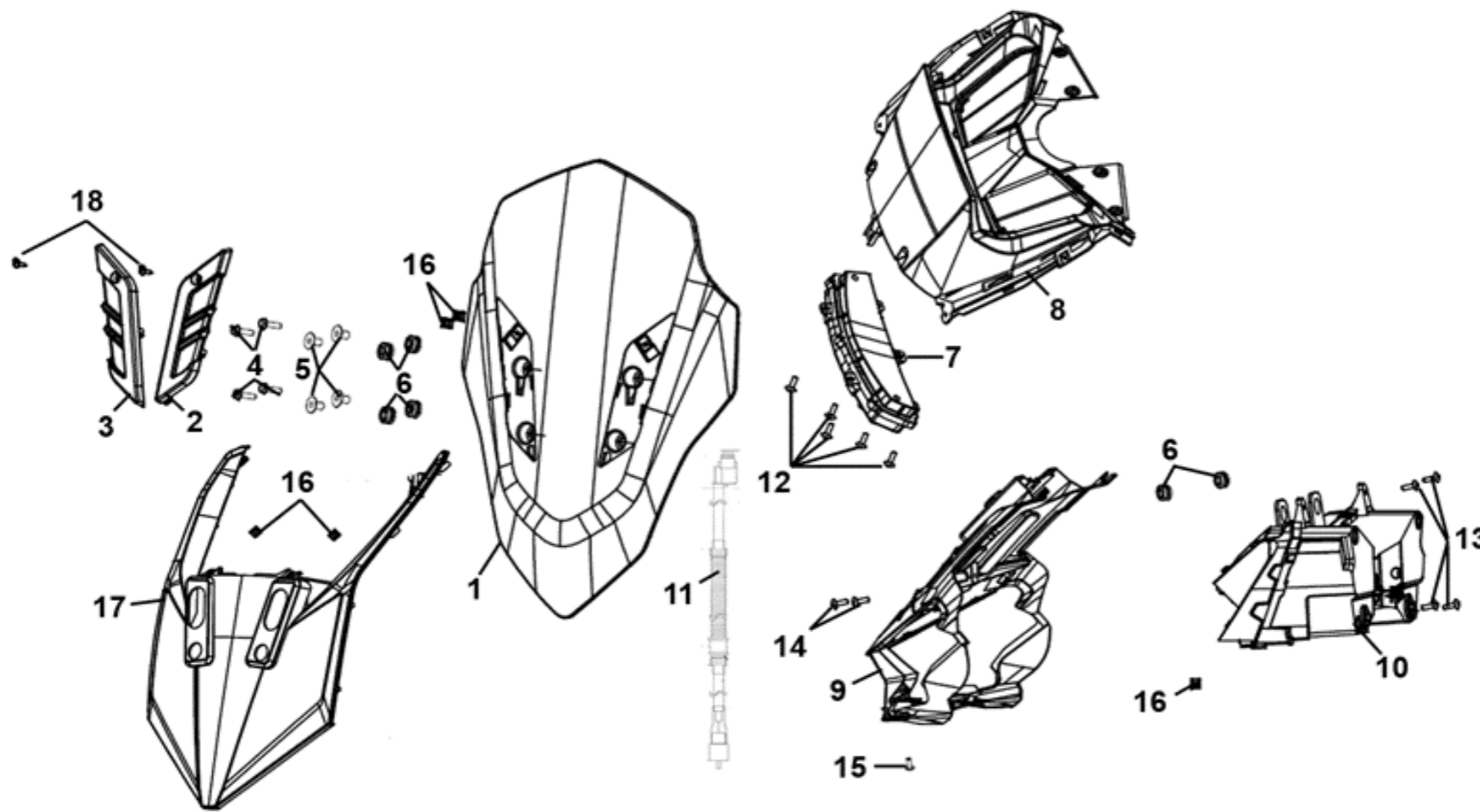


Pictures reference only

NO	PARTS NUMBER	PARTS NAME	QTY	REMARK
1	06414-HKK-0001-VN	FUEL INJECTOR	1	
2	1640A-XM1-000-VN	ECU SET	1	
3	1711A-ZBC-000-VN	INLET PIPE ASSY	1	
3-1	17256-MA1-000	INSULATOR BAND	1	
4	94050-06080	FLANGE NUT 6 mm	1	
5	90086-MA1-0001-VN	SPECIAL NUT	1	
6	96001-06045-08	SH. FLANGE BOLT 6X45 mm	1	
7	17120-XJA-000	FUEL INJECTOR CAP ASSY.	1	
8	17121-H6Y-000	FUEL INJECTOR CAP CLIP	1	

●Please check the color & stripe information according to the color index !





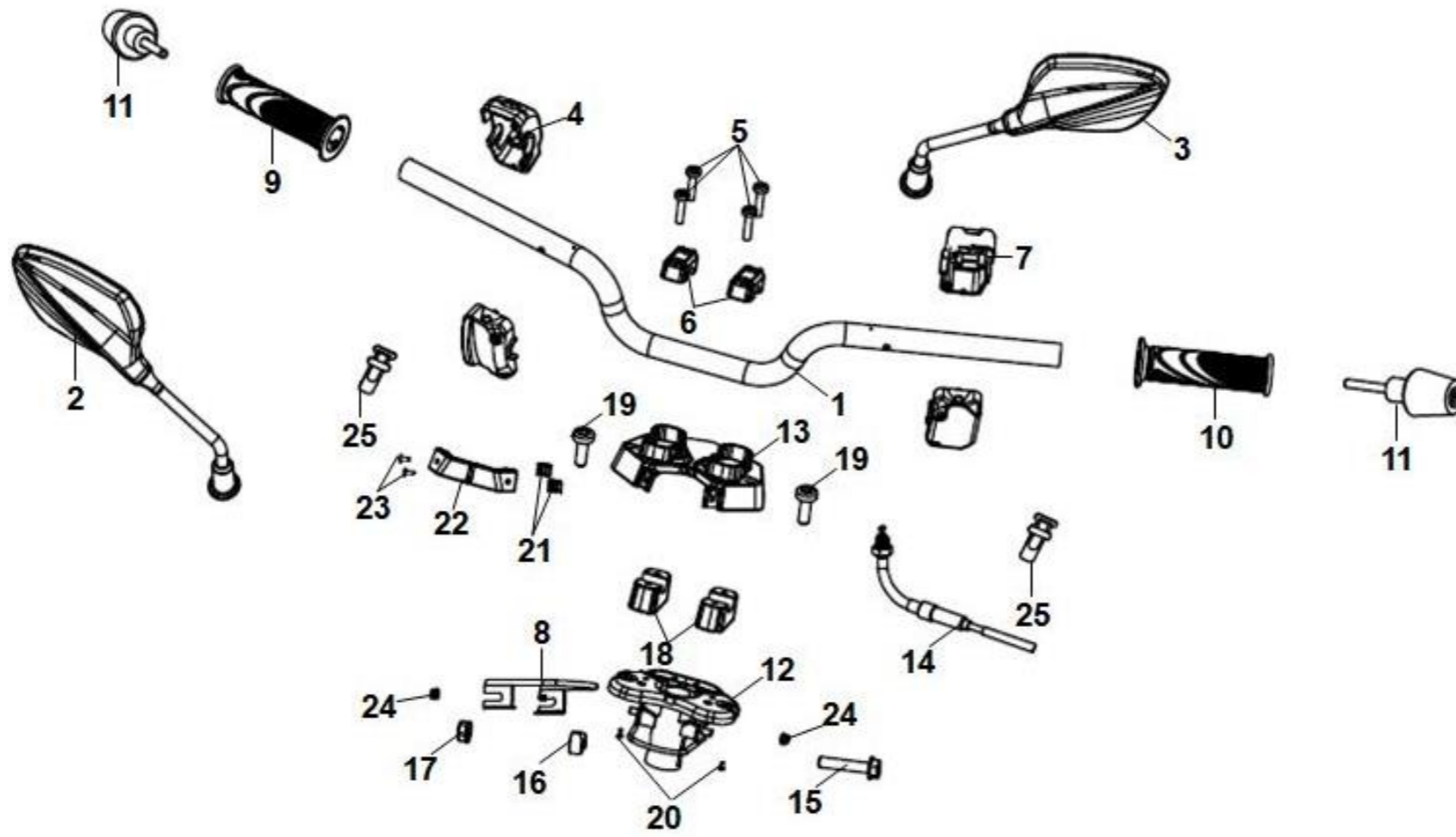
Pictures reference only

NO	PARTS NUMBER	PARTS NAME	QTY	REMARK
1	67100-XN1-000-VN	WIND SCREEN	1	Black
2	67101-VJC-000	R.WIND SCREEN GARNISH	1	
3	67102-VJC-000	L.WIND SCREEN GARNISH	1	
4	95801-06022-04	FLANGE BOLT 6*22 mm	4	
5	61201-APA-000	FR. FENDER COLLAR	4	
6	64304-X01-000	FR. COVER RUBBER	6	
7	37200-XM4-000-VN	SPEEDMETER ASSY	1	
8	53208-VJC-000	METER PANEL	1	
9	64306-VJC-000	FR.DOWN COVER	1	
10	33100-XN1-000-VN	HEAD LIGHT ASSY	1	
11	44830-U43-000-VN	SPEEDOMETER SENSOR COMP	1	
12	93903-34380	TAPPING SCREW 4*12 mm	5	
13	93903-35380	TAPPING SCREW 5*16 mm	4	
14	95801-06022-04	FLANGE BOLT 6*22 mm	2	
15	93903-34380	TAPPING SCREW 4*12 mm	1	
16	90302-SA4-003B	SPRING NUT 4 mm	3	
17	64305-VJC-000-KK	FRONT TOP COVER	1	
18	90102-TL1-000	HEX. SOCKET TAPPING SCREW 4x14	2	

●Please check the color & stripe information according to the color index !

F02 Cable • Switch • Handle Lever

JET X - KC15CV-MY (VJE)



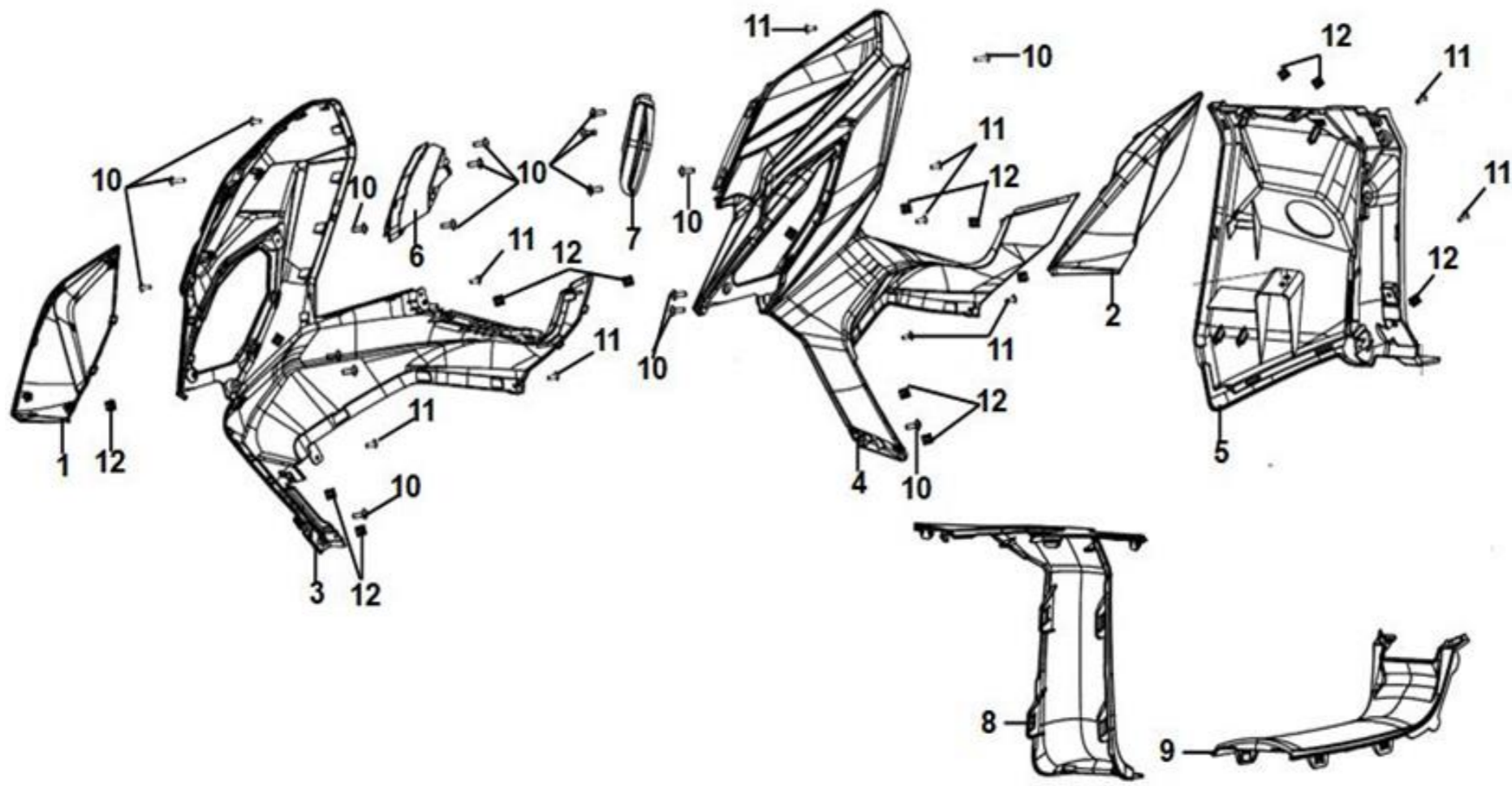
Pictures reference only

NO	PARTS NUMBER	PARTS NAME	QTY	REMARK
1	53100-XN1-000	STRG. HANDLE COMP.	1	Gray
2	88110-XN1-000-VN	R. BACK MIRROR COMP.	1	
3	88120-XN1-000-VN	L. BACK MIRROR COMP.	1	
4	35150-XN1-000-VN	R. HANDLE SW. UNIT	1	
5	96700-06028-49	BOLT	4	
6	53131-XN1-000-VN	HANDLE PIPE UP HOLDER	2	Aluminium
7	35200-XM1-000-VN	L. HANDLE SW. UNIT	1	
8	53232-XN1-000-VN	CABLE STAY	1	
9	53140-XTA-000-VN	THROT GRIP COMP	1	
10	53166-XTA-000-VN	L HANDLE GRIP	1	
11	53104-ZBC-000	HANDLE PIPE WT.	2	Black
12	53231-X8A-000	HANDLE PIPE HOLDER COMP	1	
13	53206-VJC-000	HANDLE LWR. COVER	1	Aluminium
14	17910-X8A-000	THROT CABLE COMP	1	
15	90106-AAA-0000-VN	FLANGE BOLT 10*50 mm	1	
16	53125-CT1C-A00	STEERING STEM LOCK COLLAR	1	
17	90304-AAA-0000-VN	FLANGE U NUT 10 mm	1	
18	53132-XN1-000-VN	HANDLE PIPE COWN HOLDER	1	Aluminium
19	96700-08020-02	SOCKET BOLT 8*20 mm	2	
20	93903-34380	TAPPING SCREW 4*12 mm	2	
21	90302-SA4-003B	SPRING NUT 4 mm	2	
22	53207-VJC-000	HANDLE LWR. COVER B	1	Aluminium
23	93903-34380	TAPPING SCREW 4*12 mm	2	
24	94050-06040	FLANGE NUT 6 mm	2	
25	32161-Z4A-010-VN	BAND	2	

●Please check the color & stripe information according to the color index !

F03 Front cover • Inner box

JET X - KC15CV-MY (VJE)



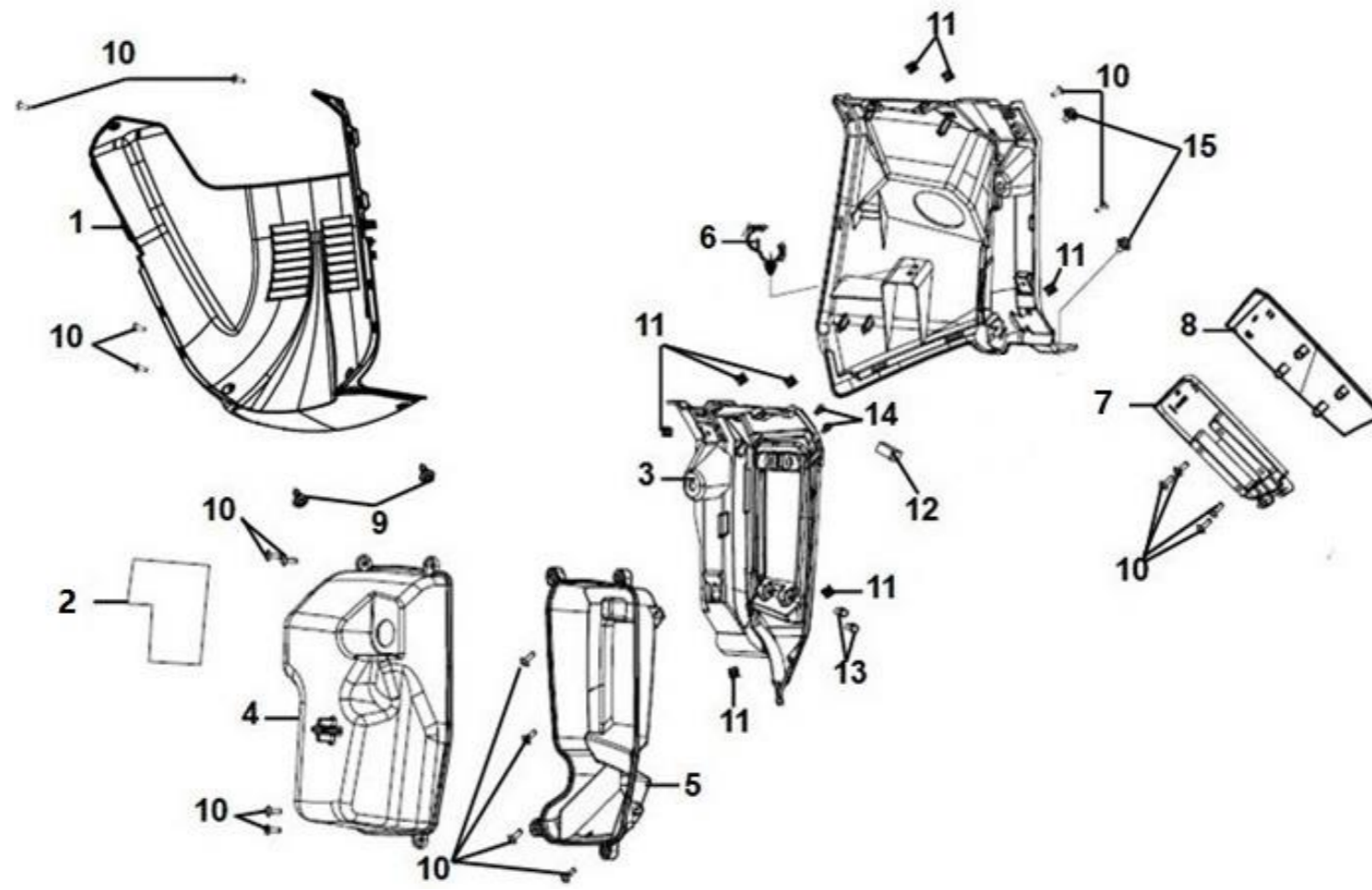
Pictures reference only

NO	PARTS NUMBER	PARTS NAME	QTY	REMARK
1	64303-VJC-000-DI	R. FRONT COVER GARNISH (BU-539PU)	1	DI - Blue (for RDI, EDI, YDI)
1	64303-VJC-000-KK	R. FRONT COVER GARNISH (BK-505U)	1	KK - Black (for DKl)
2	64304-VJC-000-DI	L. FRONT COVER GARNISH	1	DI - Blue (for RDI, EDI, YDI)
2	64304-VJC-000-KK	L. FRONT COVER GARNISH (BK-505U)	1	KK - Black (for DKl)
3	64301-VJC-000-TD	R. FRONT COVER (R-579C)	1	TD - Red (for RDI)
3	64301-VJC-000-DI	R. FRONT COVER (BU-539PU)	1	DI - Blue (for DKl)
3	64301-VJC-000-EI	R. FRONT COVER (GY-207C)	1	EI - Gray (for EDI)
3	64301-VJC-000-YQ	FR. COVER (Y-298S)	1	YQ - Yellow (for YDI)
4	64302-VJC-000-TD	L. FRONT COVER (R-579C)	1	TD - Red (for RDI)
4	64302-VJC-000-DI	L. FRONT COVER (BU-539PU)	1	DI - Blue (for DKl)
4	64302-VJC-000-EI	L. FRONT COVER (GY-207C)	1	EI - Gray (for EDI)
4	64302-VJC-000-YQ	L. FRONT COVER (Y-298S)	1	YQ - Yellow (for YDI)
5	81131-VJC-000-TD	MAIN SW. COVER (R-579C)	1	TD - Red (for RDI)
5	81131-VJC-000-DI	MAIN SW. COVER (BU-539PU)	1	DI - Blue (for DKl)
5	81131-VJC-000-EI	MAIN SW. COVER (GY-207C)	1	EI - Gray (for EDI)
5	81131-VJC-000-YQ	MAIN SW. COVER (Y-298S)	1	YQ - Yellow (for YDI)
6	33400-XN1-000-VN	FR. R. WINKER ASSY	1	
7	33450-XN1-000-VN	FR. L. WINKER ASSY	1	
8	81135-VJC-000	FR. INNER BOX UP COVER A	1	
9	81136-VJC-000	FR. INNER BOX UP COVER B	1	
10	93903-34380	TAPPING SCREW 4*12 mm	16	
11	93903-34380	TAPPING SCREW 4*12 mm	10	
12	90302-SA4-003B	SPRING NUT 4 mm	12	

●Please check the color & stripe information according to the color index !

F04 Front Inner box

JET X - KC15CV-MY (VJE)



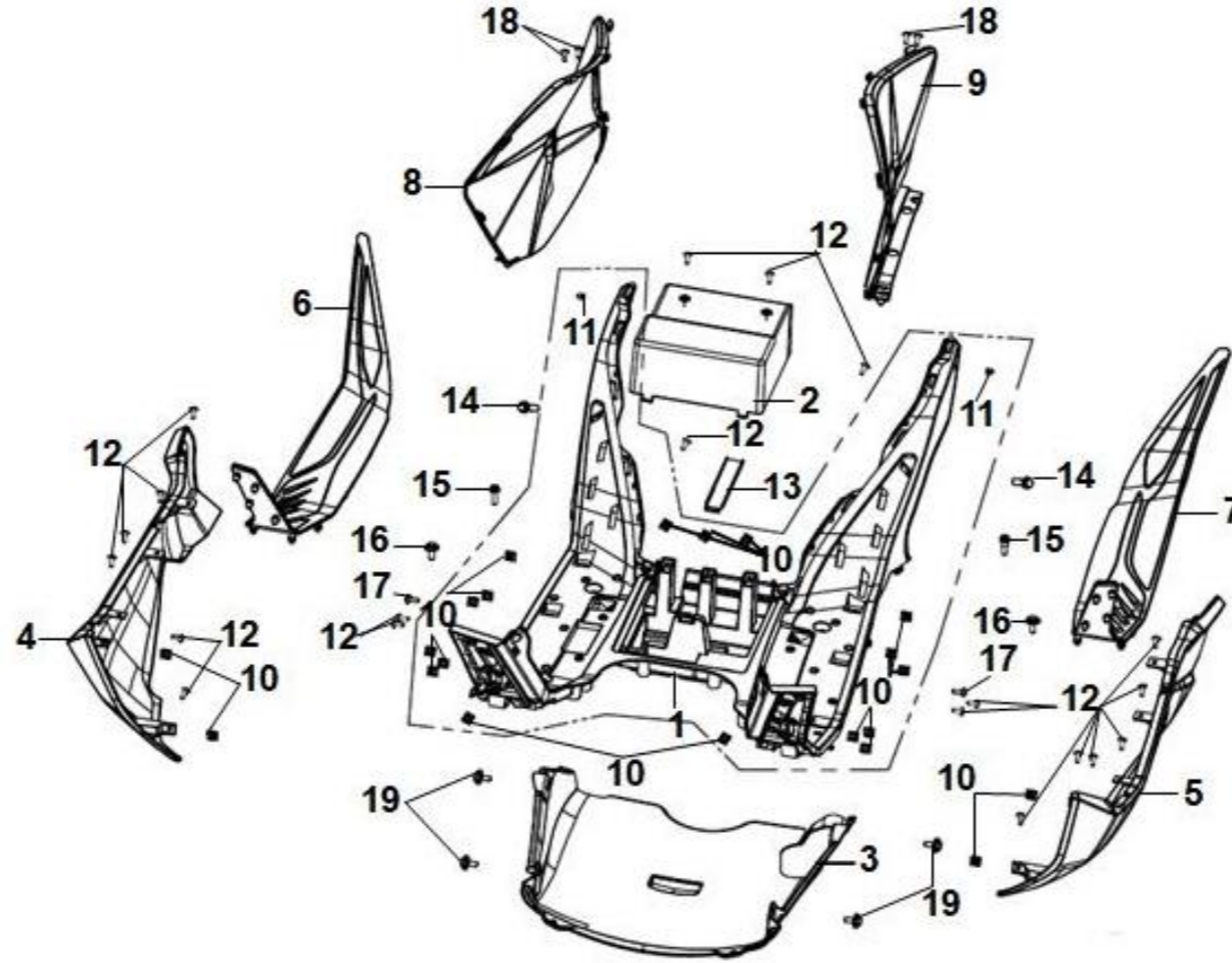
Pictures reference only

NO	PARTS NUMBER	PARTS NAME	QTY	REMARK
1	64300-VJC-000	FR. UNDER SPOILER	1	
2	83616-XB1-000-VN	SPONGE 105X50X4 mm	1	
3	81137-VJC-000-TD	FR. INNER BOX	1	TD - Red (for RDI)
3	81137-VJC-000-DI	FR. INNER BOX	1	DI - Blue (for DKI)
3	81137-VJC-000-EI	FR. INNER BOX	1	EI - Gray (for EDI)
3	81137-VJC-000-YQ	FR. INNER BOX	1	YQ - Yellow (for YDI)
4	81144-VJC-000	LWR. INNER BOX	1	
5	81134-VJC-000	UP. INNER BOX	1	
6	90115-AZA-000-VN	ROD HOLDER D20	1	
7	81133-VJC-000	FR. INNER BOX LID STIFFENER	1	
8	81132-VJC-000-TD	FR. INNER BOX LID (R-579C)	1	TD - Red (for RDI)
8	81132-VJC-000-DI	FR. INNER BOX LID (BU-539PU)	1	DI - Blue (for DKI)
8	81132-VJC-000-EI	FR. INNER BOX LID (GY-207C)	1	EI - Gray (for EDI)
8	81132-VJC-000-YQ	FR. INNER BOX LID (Y-298S)	1	YQ - Yellow (for YDI)
9	90115-REA-000	PLASTIC NUT 6 mm	2	
10	93903-34380	TAPPING SCREW 4*12 mm	12	
11	90302-SA4-003B	SPRING NUT 4 mm	8	
12	81140-XN1-000	FR. INNER BOX LID CATCH COM	1	
13	81139-XN1-000	FR. INNER BOX LID PIN	2	
14	90899-422-6100	PLUG CORN	2	
15	90115-ATA-0001-VN	FLANGE BOLT 6*16 mm	2	

●Please check the color & stripe information according to the color index !

F05 Floor Panel

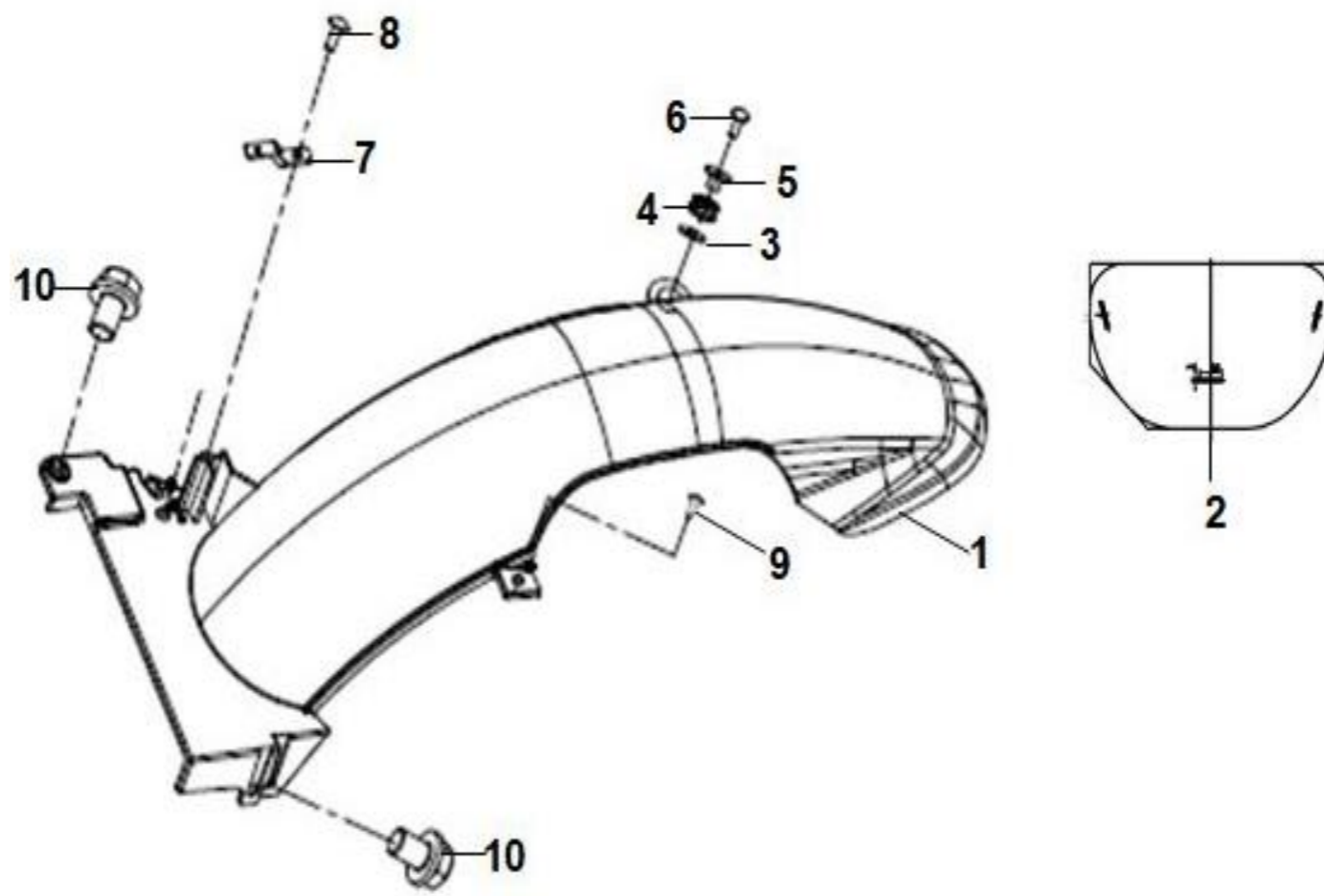
JET X - KC15CV-MY (VJE)



Pictures reference only

NO	PARTS NUMBER	PARTS NAME	QTY	REMARK
1	64310-VJC-000	FLOOR PANEL	1	
2	81138-VJC-000	BATTERY BOX	1	
3	50611-VJC-000	UNDER COVER	1	
4	83520-VJC-000-TD	R. SIDE COVER (R-579C)	1	TD - Red (for RDI)
4	83520-VJC-000-DI	R. SIDE COVER (BU-539PU)	1	DI - Blue (for DKI)
4	83520-VJC-000-EI	R. SIDE COVER (GY-207C)	1	EI - Gray (for EDI)
4	83520-VJC-000-YQ	R. SIDE COVER (Y-298S)	1	YQ - Yellow (for YDI)
5	83620-VJC-000-TD	L. SIDE COVER (R-579C)	1	TD - Red (for RDI)
5	83620-VJC-000-DI	L. SIDE COVER (BU-539PU)	1	DI - Blue (for DKI)
5	83620-VJC-000-EI	L. SIDE COVER (GY-207C)	1	EI - Gray (for EDI)
5	83620-VJC-000-YQ	L. SIDE COVER (Y-298S)	1	YQ - Yellow (for YDI)
6	81141-XN1-000-VN	R. FLOOR MAT	1	
7	81142-XN1-000-VN	L. FLOOR MAT	1	
8	83530-VJC-000	R. BATTERY COVER	1	
9	83630-VJC-000	L. BATTERY COVER	1	
10	90302-SAA-003B	SPRING NUT 4 mm	21	
11	90899-422-6100	PLUG CORN	2	
12	93903-34380	TAPPING SCREW 4*12 mm	20	
13	50324-XPA-0001-VN	BATTERY BAND	1	
14	95801-06012-07	FLANGE BOLT 6 X 12 mm	2	
15	93404-06016-07	WASHER BOLT 6*16 mm	2	
16	93404-06030-07	WASHER BOLT 6*30 mm	2	
17	93891-06012-07	WASHER SCREW 6*12 mm	2	
18	93903-34480	TAPPING SCREW 4*16 mm	4	
19	93404-06016-07	WASHER BOLT 6*16 mm	4	

●Please check the color & stripe information according to the color index !



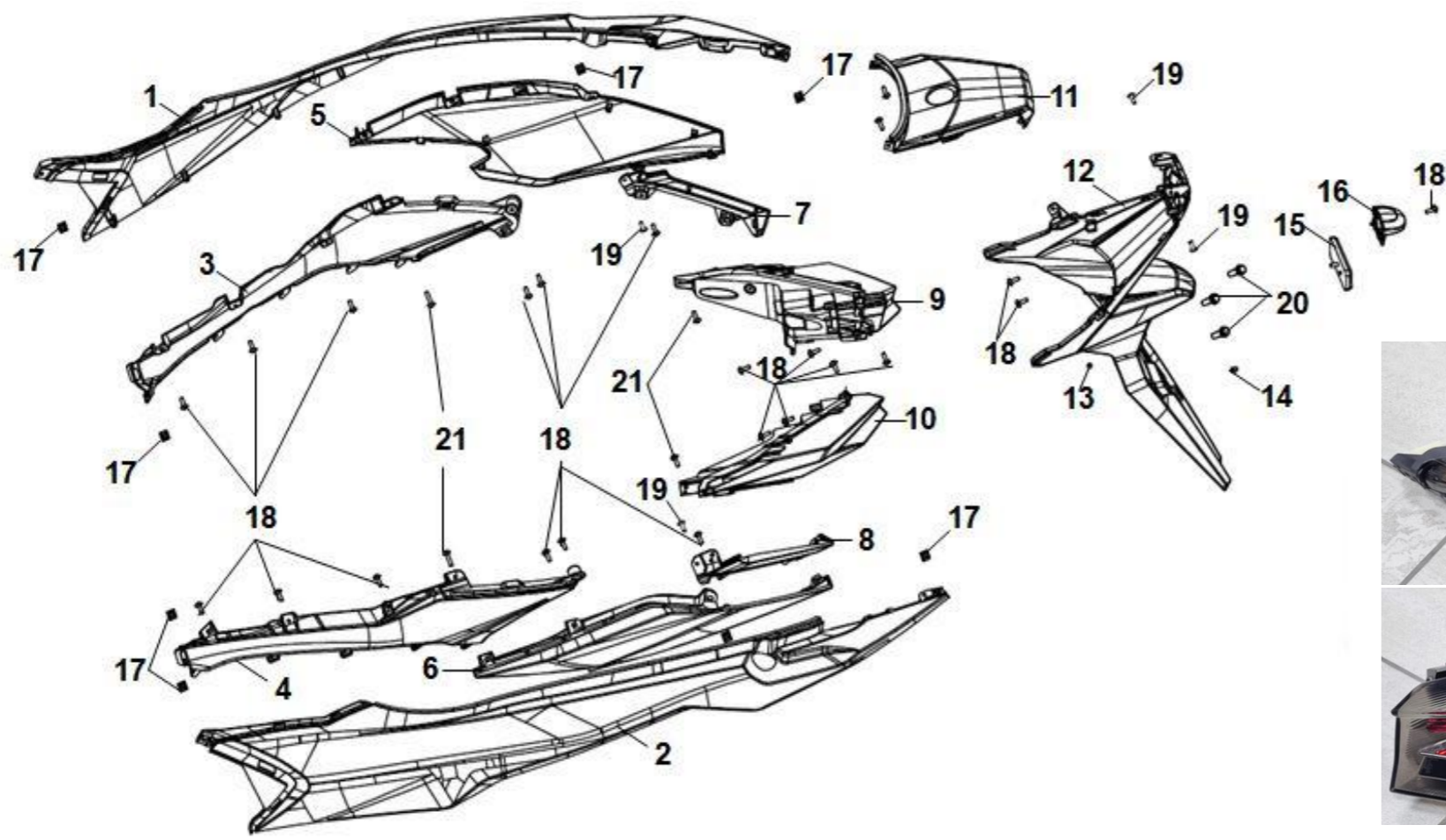
Pictures reference only

NO	PARTS NUMBER	PARTS NAME	QTY	REMARK
1	80105-X8A-000-VN	RR. MUDGUARD	1	
2	80104-ZBC-000	SPLASH BOARD PLATE	1	
3	18292-F86-000	PROTECTOR PACKING A	1	
4	64304-X01-000	FR. COVER RUBBER	1	
5	64306-X01-0000	FR COVER COLLAR	1	
6	95801-06025-04	FLANGE BOLT 6*25 mm	1	
7	17832-XFA-000-VN	O2 SENSOR COUPLER STAY	1	
8	93903-34380	TAPPING SCREW 4*12 mm	1	
9	93903-34480	TAPPING SCREW 4*16 mm	1	
10	95801-06012-07	FLANGE BOLT 6 X 12 mm	2	

●Please check the color & stripe information according to the color index !

F07 Body Cover

JET X - KC15CV-MY (VJE)



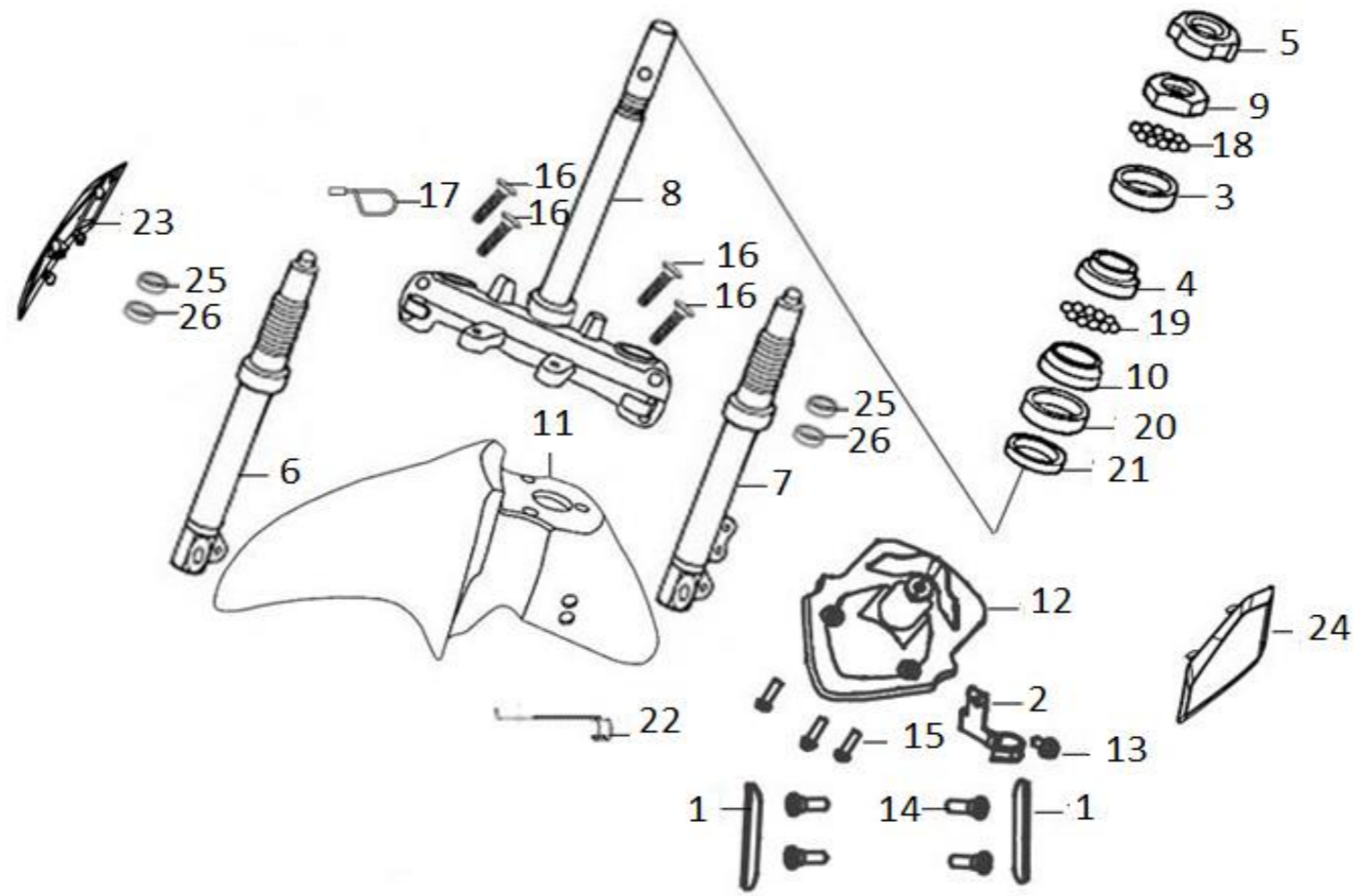
Pictures reference only

NO	PARTS NUMBER	PARTS NAME	QTY	REMARK
1	83510-VJC-000-TD	R. UP. BODY COVER (R-579C)	1	TD - Red (for RDI)
1	83510-VJC-000-DI	R. UP. BODY COVER (BU-539PU)	1	DI - Blue (for DKl)
1	83510-VJC-000-EI	R. UP. BODY COVER (GY-207C)	1	EI - Gray (for EDI)
1	83510-VJC-000-YQ	R. UP. BODY COVER (Y-298S)	1	YQ - Yellow (for YDI)
2	83610-VJC-000-TD	L. UP. BODY COVER (R-579C)	1	TD - Red (for RDI)
2	83610-VJC-000-DI	L. UP. BODY COVER (BU-539PU)	1	DI - Blue (for DKl)
2	83610-VJC-000-EI	L. UP. BODY COVER (GY-207C)	1	EI - Gray (for EDI)
2	83610-VJC-000-YQ	L. UP. BODY COVER (Y-298S)	1	YQ - Yellow (for YDI)
3	83550-VJC-000	R. BODY COVER GARNISH	1	
4	83650-VJC-000	L. BODY COVER GARNISH	1	
5	83500-VJC-000-DI	R. BODY COVER (BU-539PU)	1	DI - Blue (for RDI, EDI, YDI)
5	83500-VJC-000-KK	R. BODY COVER (BK-505U)	1	KK - Black (for DKl)
6	83600-VJC-000-DI	L. BODY COVER (BU-539PU)	1	DI - Blue (for RDI, EDI, YDI)
6	83600-VJC-000-KK	L. BODY COVER (BK-505U)	1	KK - Black (for DKl)
7	83850-VJC-000	R. BODY COVER GARNISH A	1	Aluminium
8	83950-VJC-000	R. BODY COVER GARNISH B	1	Aluminium
9	33700-XM1-000-VN	R. TAIL LIGHT ASSY	1	
10	33750-XM1-000-VN	L. TAIL LIGHT ASSY.	1	
11	83750-VJC-000-TD	RR CENTER COVER (R-579C)	1	TD - Red (for RDI)
11	83750-VJC-000-DI	RR CENTER COVER (BU-539PU)	1	DI - Blue (for DKl)
11	83750-VJC-000-EI	RR CENTER COVER (GY-207C)	1	EI - Gray (for EDI)
11	83750-VJC-000-YQ	RR CENTER COVER (Y-298S)	1	YQ - Yellow (for YDI)
12	80100-VJC-000	RR. FENDER	1	
13	94050-06040	FLANGE NUT 6 mm	1	
14	90899-422-6100	PLUG CORN	1	
15	33741-N7B-E100-VN	RR. REFLEX REFLECTOR	1	
16	33740-Z6A-000	LICENSE LIGHT ASSY	1	
17	90302-SA4-003B	SPRING NUT 4 mm	8	
18	93903-34380	TAPPING SCREW 4*12 mm	23	
19	93903-34380	TAPPING SCREW 4*12 mm	4	
20	95801-06012-07	FLANGE BOLT 6 X 12 mm	3	
21	93903-34480	TAPPING SCREW 4*16 mm	4	

●Please check the color & stripe information according to the color index !

F08 Steering Stem • Front Cushion

JET X - KC15CV-MY (VJE)



Pictures reference only

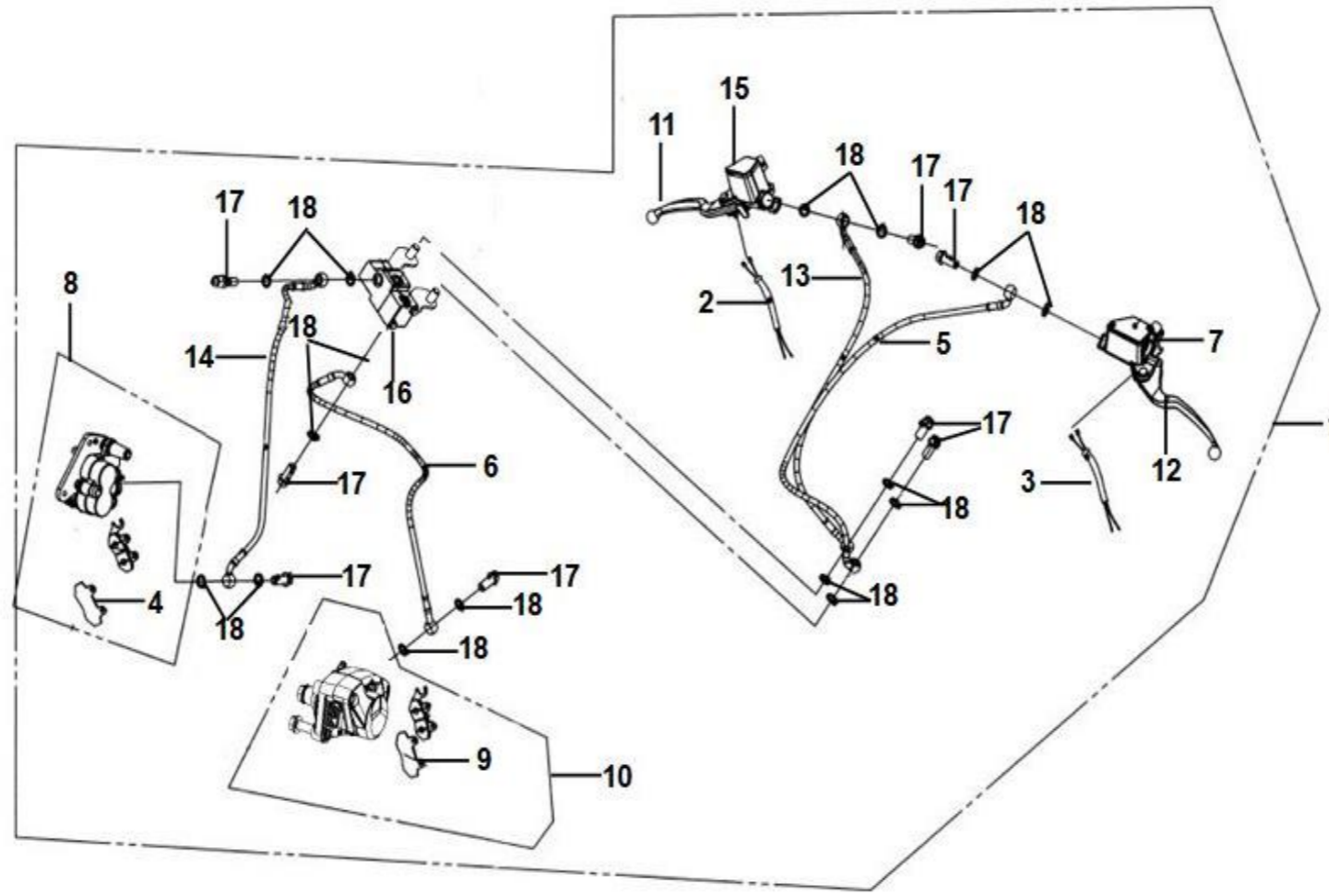
NO	PARTS NUMBER	PARTS NAME	QTY	REMARK
1	33742-X8A-000	SIDE REFLECTOR	2	
2	45156-AAA-000	FR. BRAKE HOSE CLAMP	1	
3	50301-M9Q-000	RACE UP STRG BALL	1	
4	50302-M9Q-0000	RACE BOT STRG BALL	1	
5	50306-M9Q-0000	STRG. STEM LOCK NUT	1	
6	51400-VJC-000	R. FR. CUSHION ASSY	1	Black
7	51500-VJC-000	L FR CUSHION ASSY	1	Black
8	53200-X8A-000	STEERING STEM COMP	1	
9	53211-M9Q-0000	STEERING TOP CONE RACE	1	
10	53212-M9Q-000-CN2	STEERING BOTTOM CONE RACE	1	
11	61100-VJC-000-KK	FR. FENDER (BK-505U)	1	KK - Black
12	61110-X8A-000	FR. INNER MUDGUARD	1	
13	90115-ATA-0001-VN	FLANGE BOLT 6*16 mm	1	
14	90164-AAA-000	SPECIAL BOLT 6 mm	4	
15	90111-AAA-000	FLANGE BOLT 6 X 14 mm	3	
16	95801-08040-04	FLANGE BOLT 8 X 40 mm	4	
17	45465-ZDA-000	CABLE GUIDE	1	
18	50303-AAA-000	UP STEEL BALLS AND RETAINER ASS'Y	1	
19	50304-AAA-000	LOWER STEEL BALLS AND RETAINER ASSY	1	
20	53214-M9Q-0000	STEERING HANDLE DUST SEAL	1	
21	53215-M9Q-0000	STEERING HEAD DUST SEAL WASHER	1	
22	45158-XN1-000-VN	FR BRAKE HOSE CLAMP	1	
23	61101-VJC-000-TD	R. FR. FENDER GARNISH (R-579C)	1	TD - Red (for RDI)
23	61101-VJC-000-DI	R. FR. FENDER GARNISH (BU-539PU)	1	DI - Blue (for DKl)
23	61101-VJC-000-EI	R. FR. FENDER GARNISH (GY-207C)	1	EI - Gray (for EDI)
23	61101-VJC-000-YQ	R. FR. FENDER GARNISH (Y-298S)	1	YQ - Yellow (for YDI)
24	61102-VJC-000-TD	L. FR. FENDER GARNISH (R-579C)	1	TD - Red (for RDI)
24	61102-VJC-000-DI	L. FR. FENDER GARNISH (BU-539PU)	1	DI - Blue (for DKl)
24	61102-VJC-000-EI	L. FR. FENDER GARNISH (GY-207C)	1	EI - Gray (for EDI)
24	61102-VJC-000-YQ	L. FR. FENDER GARNISH (Y-298S)	1	YQ - Yellow (for YDI)
25	51403-APA-000	OIL SEAL	2	
26	51404-APA-000	DUST SEAL	2	

●Please check the color & stripe information according to the color index !



F09 CBS Brake System ASSY

JET X - KC15CV-MY (VJE)



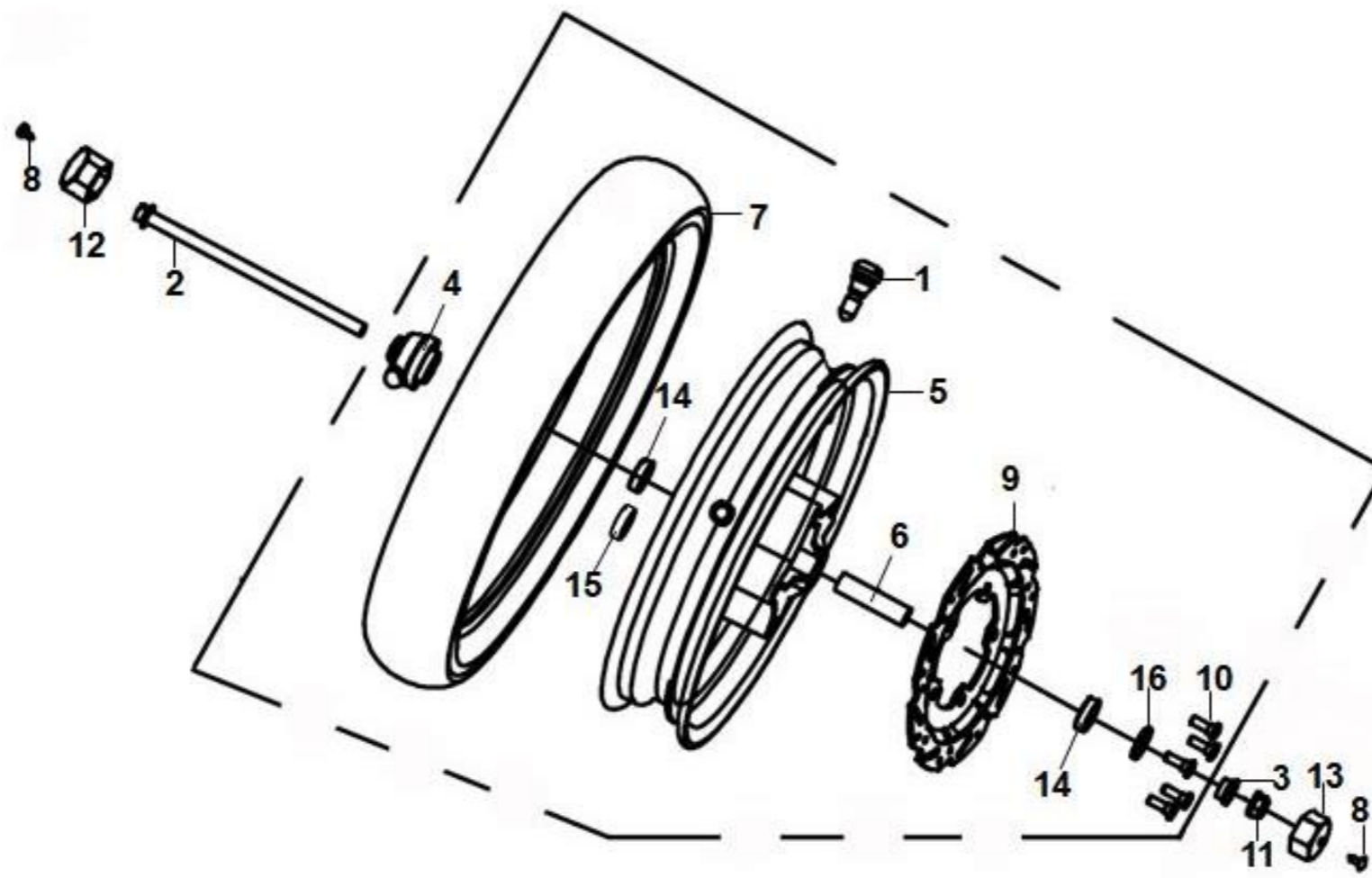
Pictures reference only

NO	PARTS NUMBER	PARTS NAME	QTY	REMARK
1	4500A-XM1-000-VN	BRAKE SYSTEM ASSY	1	
2	35340-L6C-000	FR. HANDLE STOP SW.	1	
3	35340-ARB-000	RR. STOP SWITCH	1	
4	4510B-VXA-000-PH	FR. PAD SET (A+B)	1	
5	43124-XN1-000-VN	RR. BRAKE HOSE A COMP.	1	
6	43125-XN1-000-VN	RR- BRAKE HOSE B COMP	1	
7	43500-XM1-000-VN	RR. M/C ASSY	1	
8	45100-XPA-000-VN	FR. CALIPER ASS'Y	1	Black
9	4310B-VXC-000	RR. PAD SET (A+B)	1	
10	43100-XN1-000-VN	RR.CALIPER ASSY	1	Black
11	53175-XM1-000-VN	R. STRG HANDLE LEVER	1	Black
12	53178-XM1-000-VN	L. STEERING HANDLE LEVER	1	Black
13	45124-XN1-000-VN	FR. BRAKE HOSE A COMP.	1	
14	45125-XN1-000-VN	FR. BRAKE HOSE B COMP	1	
15	45500-XM1-000-VN	FR. M/C ASSY	1	
16	46300-LEA-000-VN	CBS CONTROL VALVE ASSY	1	
17	90145-M9Q-000	OIL BOLT 10*22 mm	8	
18	90545-M9Q-0000-VN	OIL BOLT WASHER	16	

●Please check the color & stripe information according to the color index !

F10 Front Wheel

JET X - KC15CV-MY (VJE)



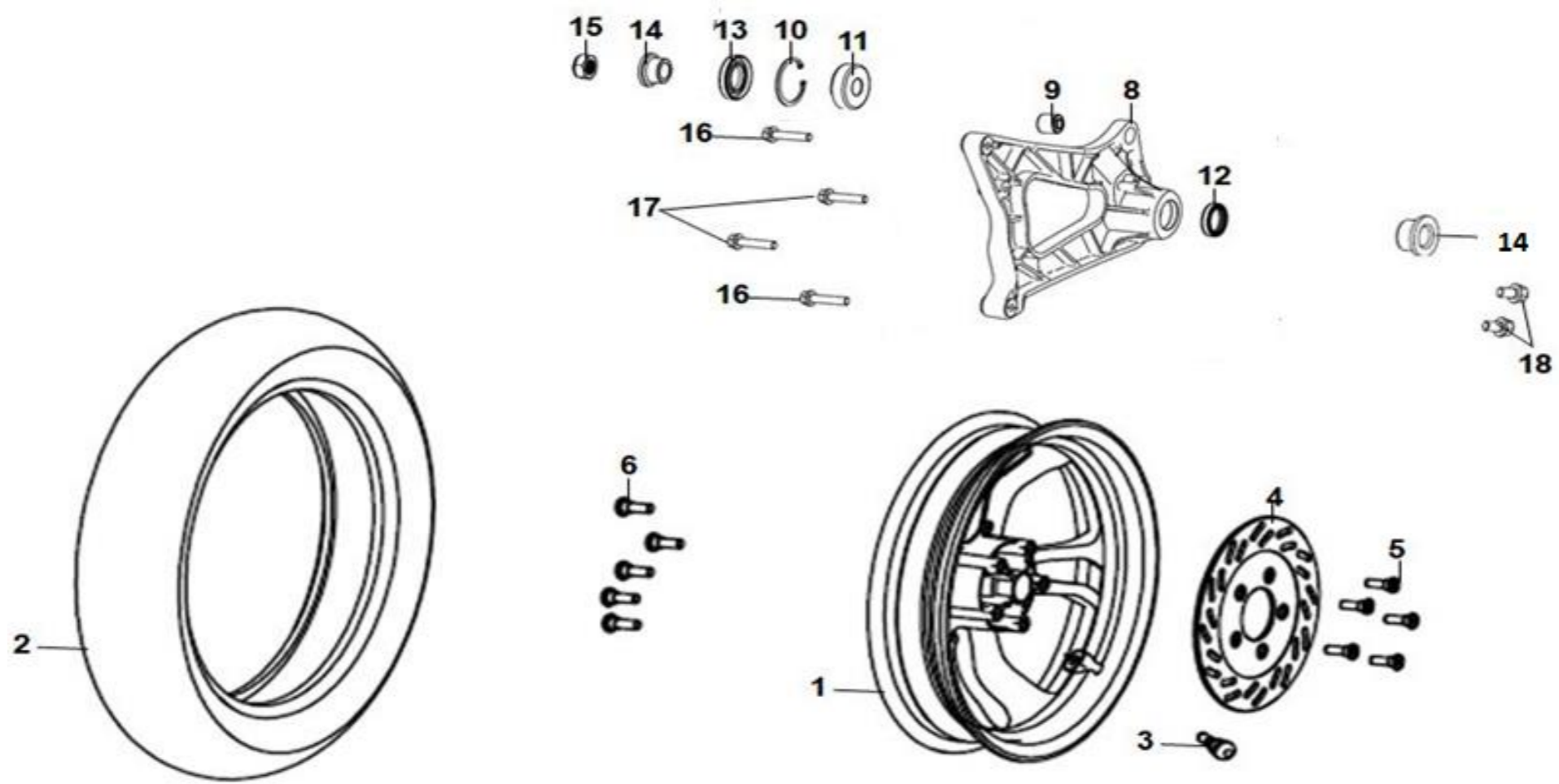
Pictures reference only

NO	PARTS NUMBER	PARTS NAME	QTY	REMARK
1	42753-VVA-0000	RIM VALVE PYR	1	
2	44301-APG-000	FR. WHEEL AXLE	1	
3	44311-GW0-910	COLLAR FR. WHEEL SIDE	1	
4	44800-XPA-010	SPEEDOMETER GEAR BOX ASSY	1	
5	44601-X8A-000	FR WHEEL	1	Black
6	44620-APG-000	FR. AXLE DIST COLLAR	1	
7	44710-VJC-000	FR. TIRE ASSY	1	
8	93600-04010-04	FLAT SCREW 4*10 mm	2	
9	45121-ZDD-000-VN	FR BRAKE DISK	1	Black
10	90106-N02-0002	FR. DIST BOLT	5	
11	90306-X11-0000-VN	FLANGE NUT 12 mm	1	
12	44315-N7B-E10	R. FR. WHEEL AXLE RUBBER	1	
13	44314-N7B-E10	L. FR. WHEEL AXLE RUBBER	1	
14	90912-M9Q-000-M1	R. BEARING 6201U (TPI)	2	
15	91258-M9Q-0000-M1/M2	SPDMT GEAR BOX SEAL	2	
16	90754-M9Q-000	DUST SEAL 20*32*5 mm	1	

●Please check the color & stripe information according to the color index !

F11 Rear Wheel

JET X - KC15CV-MY (VJE)



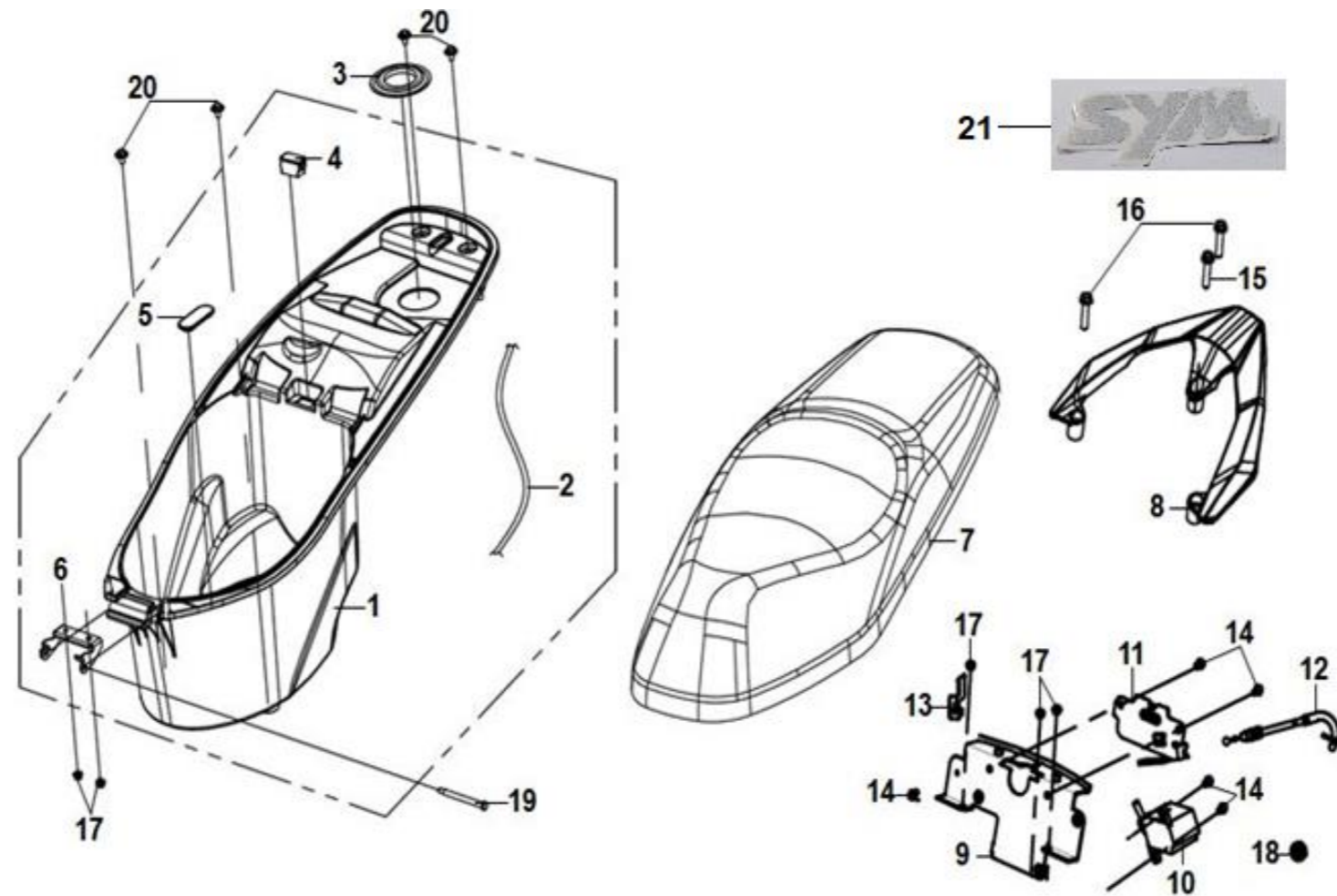
Pictures reference only

NO	PARTS NUMBER	PARTS NAME	QTY	REMARK
1	42601-X81-000-VN	RR. CAST WHEEL COMP	1	Black
2	42710-VJC-000	RR. TIRE ASSY	1	
3	42753-VVA-0000	RIM VALVE PYR	1	
4	43121-XJA-000	RR. BRAKE DISK	1	Black
5	90106-N02-0002	FR. DIST BOLT	5	
6	90106-XMC-000-VN	RR. WHEEL BOLT	5	
8	52100-ZBC-000-VN	RR. FORK	1	Silver
9	11203-M9Q-3000-VN	RR. CUSH NUD BUSH RUBBER	9	
10	94524-47000-L1	CIRCLIP IN 47 mm	1	
11	96150-63030-10	BALL RADIAL BEARING	1	
12	90755-H3C-000	DUST SEAL 26X35X7	1	
13	90754-H9A-000	DUST SEAL 26*47*7 mm	1	
14	42311-X81-000-VN	RR. AXLE COLLAR	2	
15	90305-AAA-0000-VN	SELF-LOCK NUT 16 mm	1	
16	95801-08045-04	FLANGE BOLT 8*45 mm	2	
17	95801-Z5D-0000-VN	EXH. MUFFLER BOLT 08*65 mm	2	
18	95801-06012-07	FLANGE BOLT 6 X 12 mm	2	

●Please check the color & stripe information according to the color index !

F12 Seat • Rear Grip

JET X - KC15CV-MY (VJE)



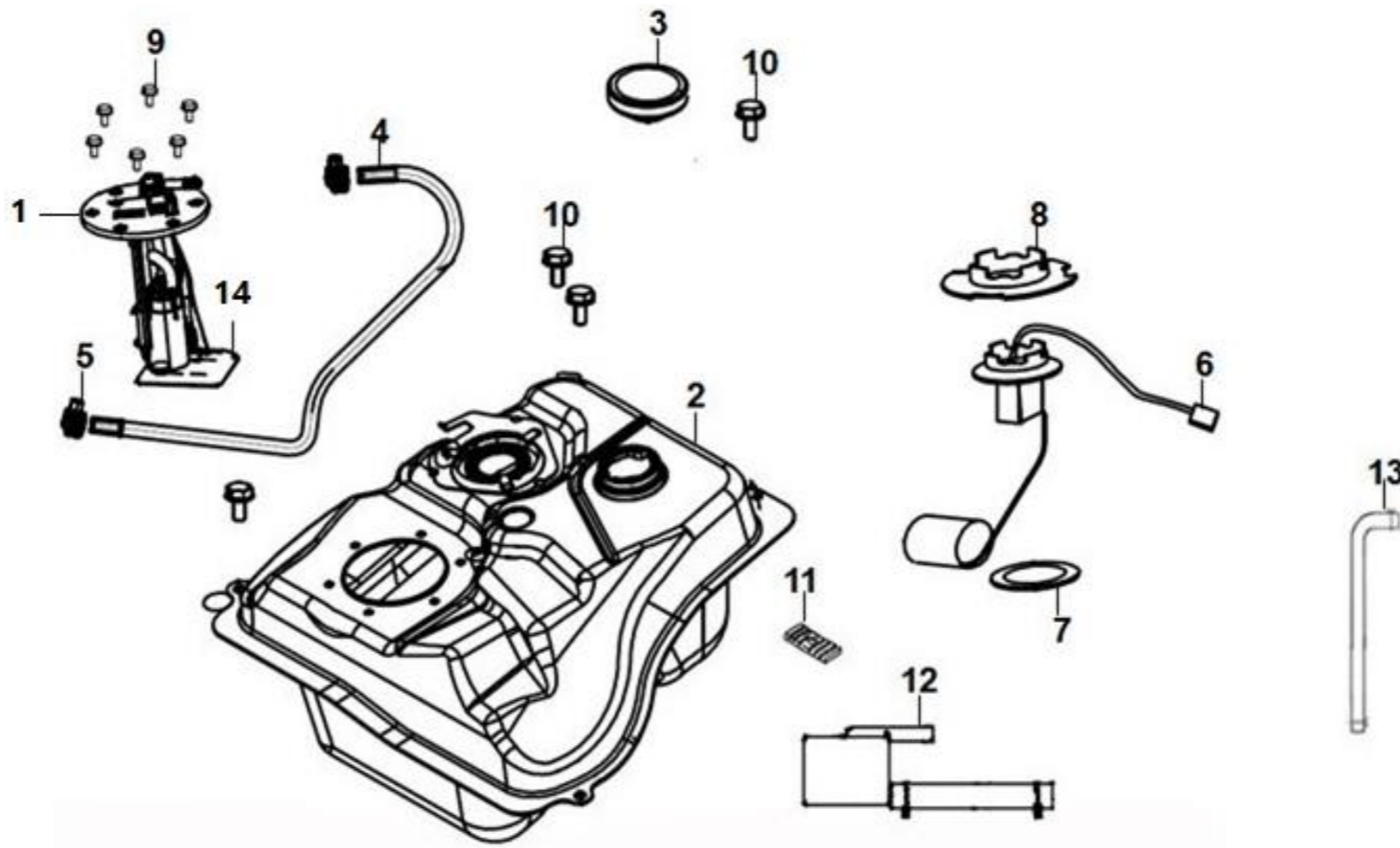
Pictures reference only

NO	PARTS NUMBER	PARTS NAME	QTY	REMARK
1	81250-XPA-000	LUGGAGE BOX	1	
2	17508-X8A-000-VN	WASTER FUEL TUBE	1	
3	17506-XPA-0000-VN	FUEL GUIDE RUBBER	1	
4	81258-HMA-000-VN	LUGG BOX RR COVER CAP	1	
5	70529-APA-0000-VN	CARB MAIN RUBBER	1	
6	77201-VJC-000	SEAT HINGE COMP	1	
7	77200-VJC-000	DOUBLE SEAT COMP	1	
8	81200-XN1-000-TD	RR. CARRIER (R-579C)	1	TD - Red (for RDI)
8	81200-XN1-000-DI	RR. CARRIER (BU-539PU)	1	DI - Blue (for DKI)
8	81200-XN1-000-EI	RR. CARRIER (GY-207C)	1	EI - Gray (for EDI)
8	81200-XN1-000-YQ	RR. CARRIER (Y-298S)	1	YQ - Yellow (for YDI)
9	81207-XPA-000	SEAT CATCH STAY	1	
10	35870-X93-000-VN	DC SOLENOID	1	
11	77230-APA-000-C	SEAT CATCH COMP.	1	
12	77240-XN1-000-VN	SEAT LOCK CABLE	1	
13	81208-XN1-000-VN	FUEL CUT VALVE STAY	1	
14	95801-06012-07	FLANGE BOLT 6 X 12 mm	5	
15	90106-B9A-0002-VN	SPECIAL BOLT 8 mm	1	
16	90105-APA-000	SPECIAL BOLT 8*45 mm	2	
17	94050-06040	FLANGE NUT 6 mm	5	
18	93891-05010-04	BOLT 5*10 mm	1	
19	90105-VJC-000	SEAT HINGE SCREW	1	
20	90115-ATA-0001-VN	FLANGE BOLT 6*16 mm	4	
21	83503-VF4-0000-T2	SYM STRIPE ( GREY )	1	

●Please check the color & stripe information according to the color index !

F13 Fuel Tank

JET X - KC15CV-MY (VJE)



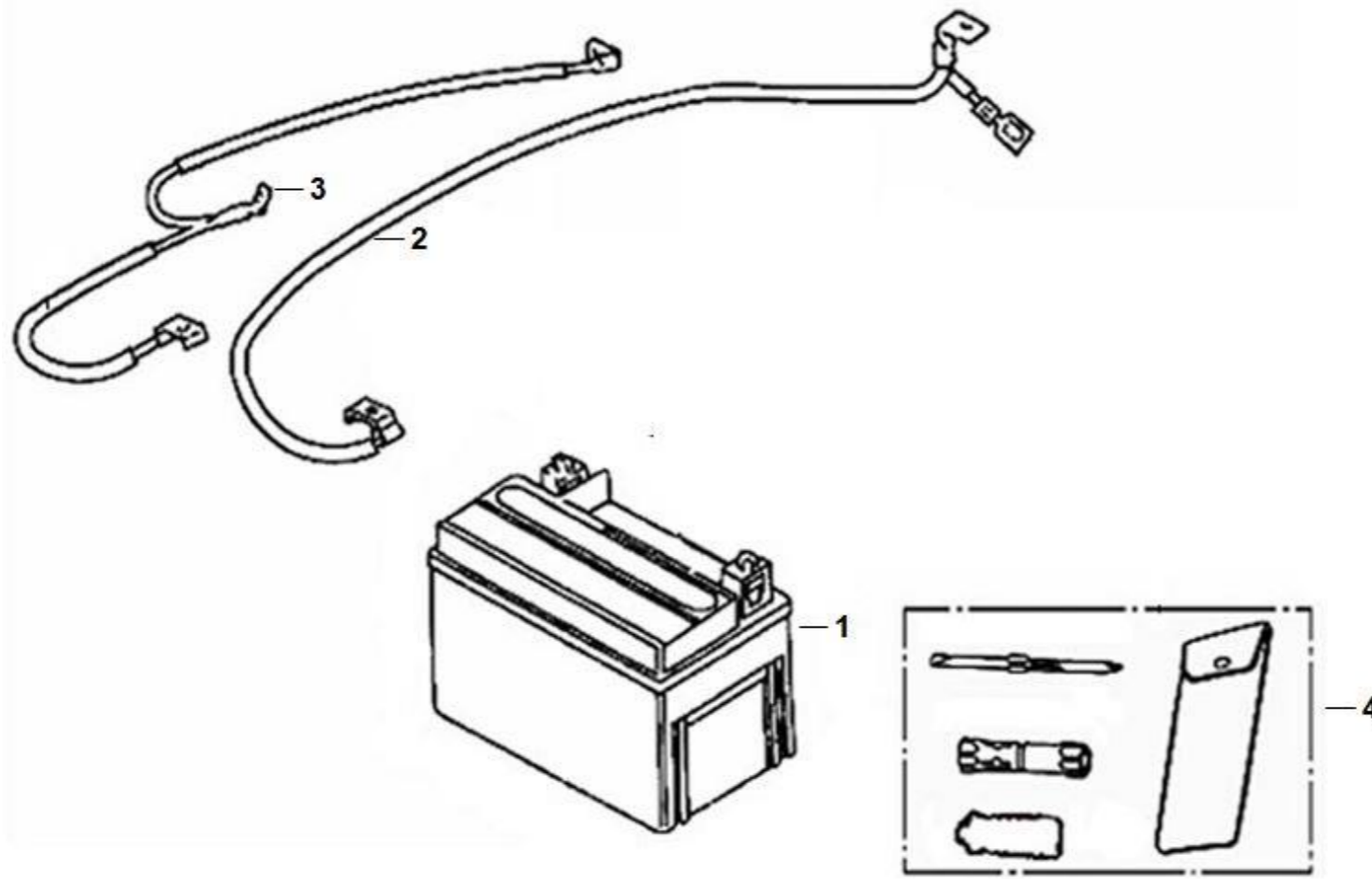
Pictures reference only

NO	PARTS NUMBER	PARTS NAME	QTY	REMARK
1	16700-XMA-0003-CN2	FUEL PUMP COMP	1	marked with "DELLORTO"
1	16700-XMA-0003-VN	FUEL PUMP COMP	1	marked with "BOSCH"
2	17500-XMB-000	FUEL TANK COMP	1	
3	17620-XH1-020	FUEL FILTER CAP COMP	1	
4	17682-X8A-000	FUEL STRAINER HOSE	1	
5	19505-H5D-0001	HOSE CLAMP	1	
6	37800-XN1-000-VN	FUEL UNIT ASS'Y	1	
7	37801-M9Q-0001-L1	BASE PACKING	1	
8	37802-M9Q-0000-L1	RET FUEL UNIT	1	
9	90116-VVE-0001	FUEL PUMP. BOLT	6	
10	95801-06010-08	FLANGE BOLT 6*10 mm	4	
11	17508-X8A-000-VN	WASTER FUEL TUBE	1	
12	17580-XMB-0003-VN	FUEL CUT VALVE ASSY	1	
13	17685-X81-000-VN	CAN.-CARB. TUBE	1	
14	16711-HJA-000-CN2-VN	FUEL FILTER COMP	1	for 16700-XMA-0003-CN2
14	16711-HJA-000	FUEL FILTER COMP	1	for 16700-XMA-0003-VN

●Please check the color & stripe information according to the color index !

F14 Battery • Tool Box

JET X - KC15CV-MY (VJE)



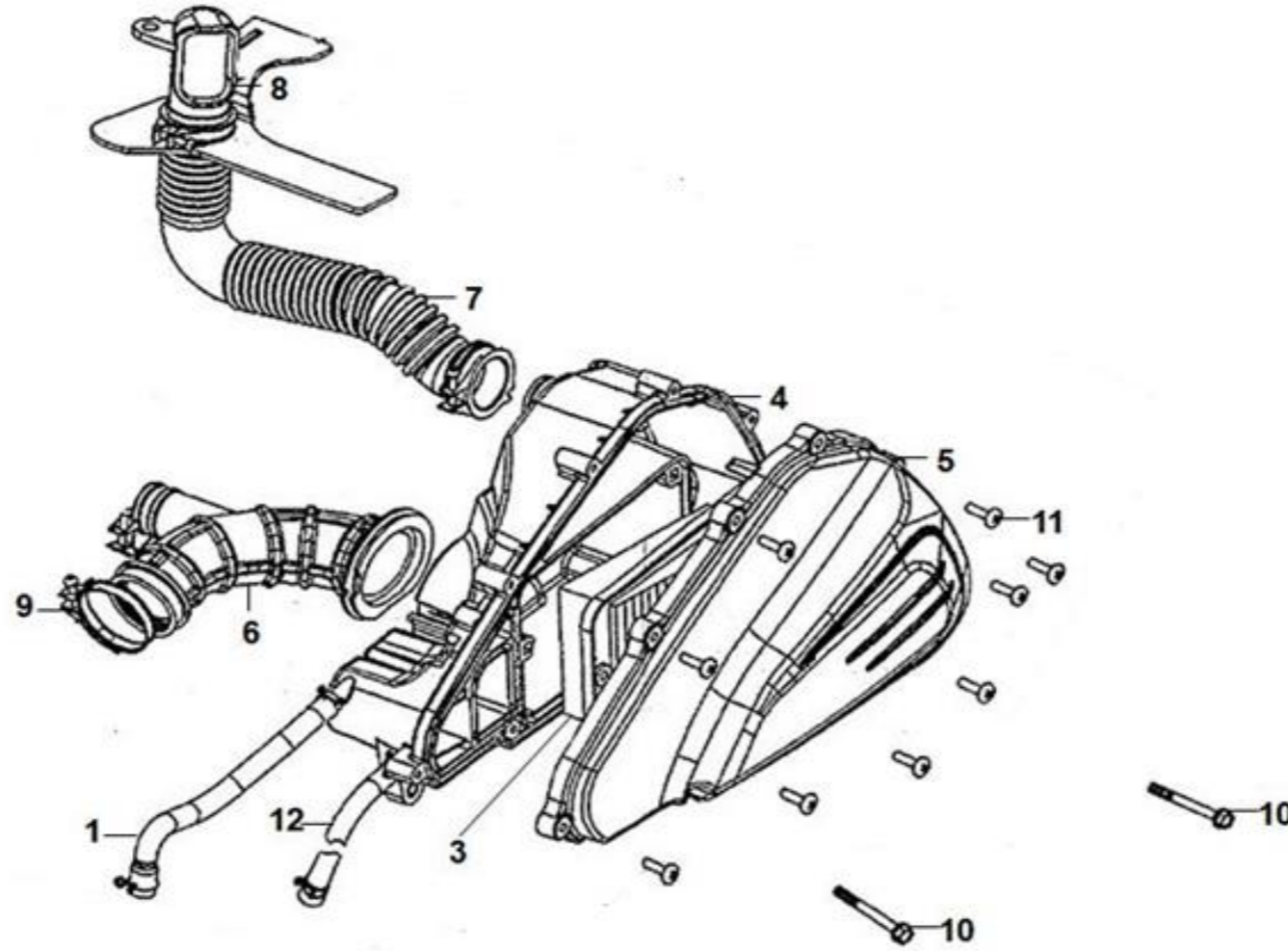
Pictures reference only

NO	PARTS NUMBER	PARTS NAME	QTY	REMARK
1	AC-YTX7A-BS(HW)	BATTERY YTX7A-BS ( HW)	1	
2	32411-XN1-000-VN	BATTERY CABLE	1	
3	32412-XN1-000-VN	EARTH CABLE	1	
4	89010-V1F-0000-VN	TOOL SET	1	provided while stock last

●Please check the color & stripe information according to the color index !

F15 Air Cleaner

JET X - KC15CV-MY (VJE)



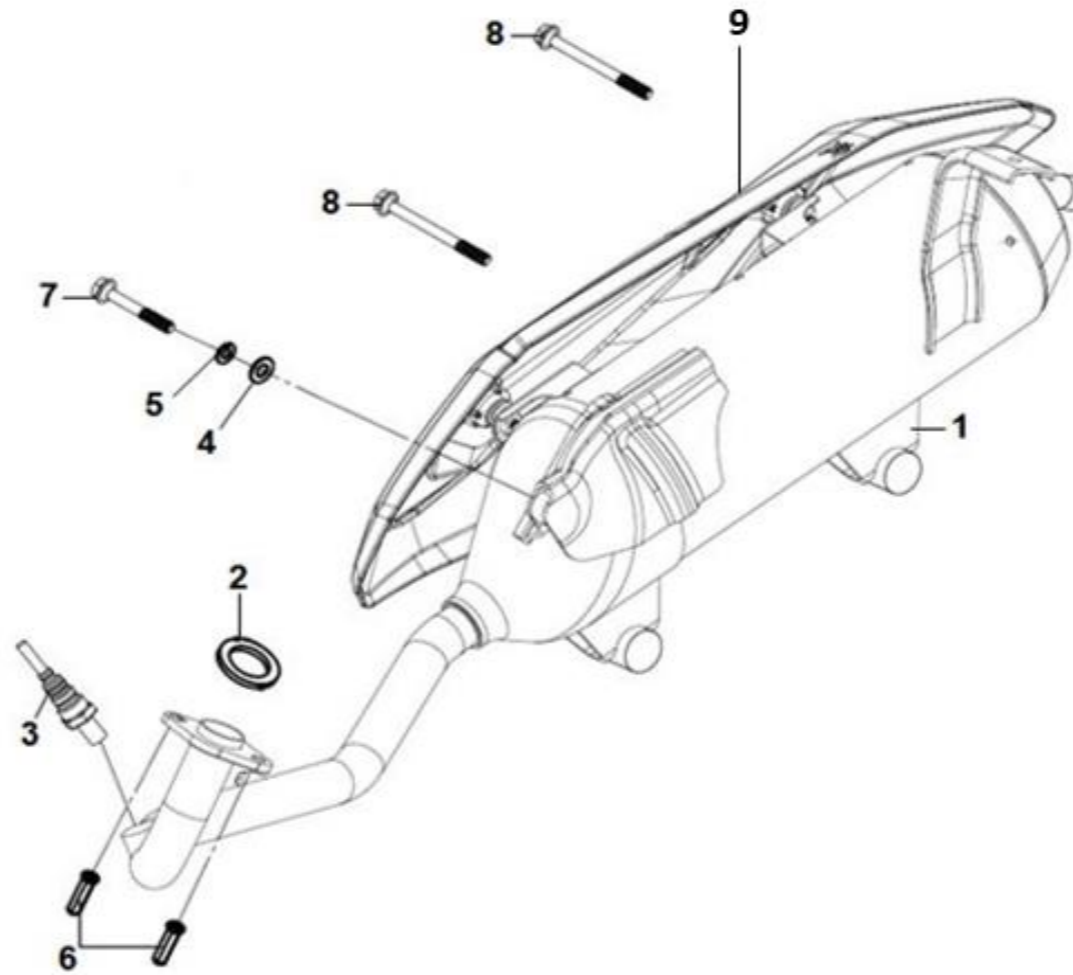
Pictures reference only

NO	PARTS NUMBER	PARTS NAME	QTY	REMARK
1	11211-ZBC-000-VN	BREATHER TUBE	1	
3	17211-ADB-000	AIR/C ELEMENT COMP	1	
4	17230-ZBC-000-VN	AIR/C CASE COMP.	1	
5	17231-APA-000	AIR/C COVER COMP.	1	
6	17253-XMA-010	AIR/C CONNECTING TUBE	1	
7	17257-APA-000	AIR/C CASE DUCT	1	
8	17258-XM1-000-VN	AIR/C DUCT B	1	
9	90652-M9Q-000-VN	AIR/C CONN TUBE BAND 42 mm	1	
10	93404-06030-07	WASHER BOLT 6*30 mm	2	
11	93903-25480	TAPPING SCREW 5X20 mm	9	
12	95003-23028-60	V TUBE 8*12*280 mm	1	

●Please check the color & stripe information according to the color index !

F16 Exhaust Muffler

JET X - KC15CV-MY (VJE)



Pictures reference only

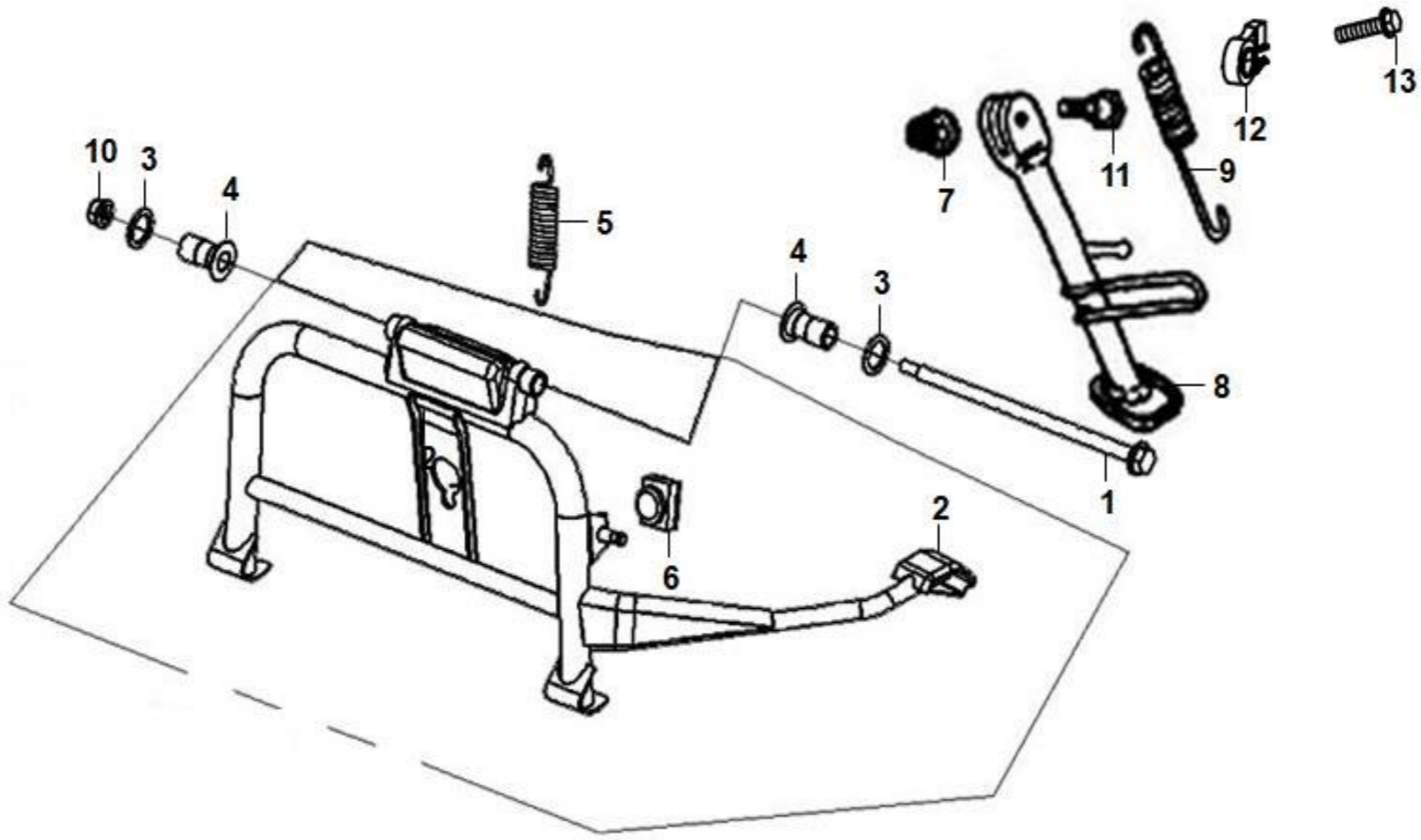
NO	PARTS NUMBER	PARTS NAME	QTY	REMARK
1	18000-VJC-000	EXH. MUFFLER ASSY	1	
2	18291-Z8G-000	EXH. PIPE GASKET	1	
3	3789A-XJE-000	O2 SENSOR ASSY	1	
4	94111-08400-VN-AM	SPRING WASHER 8 mm	1	
5	94101-08400-VN-AM	PLAIN WASHER 8 mm	1	
6	90043-XB1-000	CAP NUT 8 mm	2	
7	95801-X81-000	EXH. MUFFLER BOLT 08*40 mm	1	
8	95801-Z5D-0000-VN	EXH. MUFFLER BOLT 08*65 mm	2	
9	18317-X1M-000-IKU	MUFFLER PROTECTOR COMP (GY-096S/BK-001U)	1	

●Please check the color & stripe information according to the color index !



F17 Main Stand • Kick Starter Arm

JET X - KC15CV-MY (VJE)



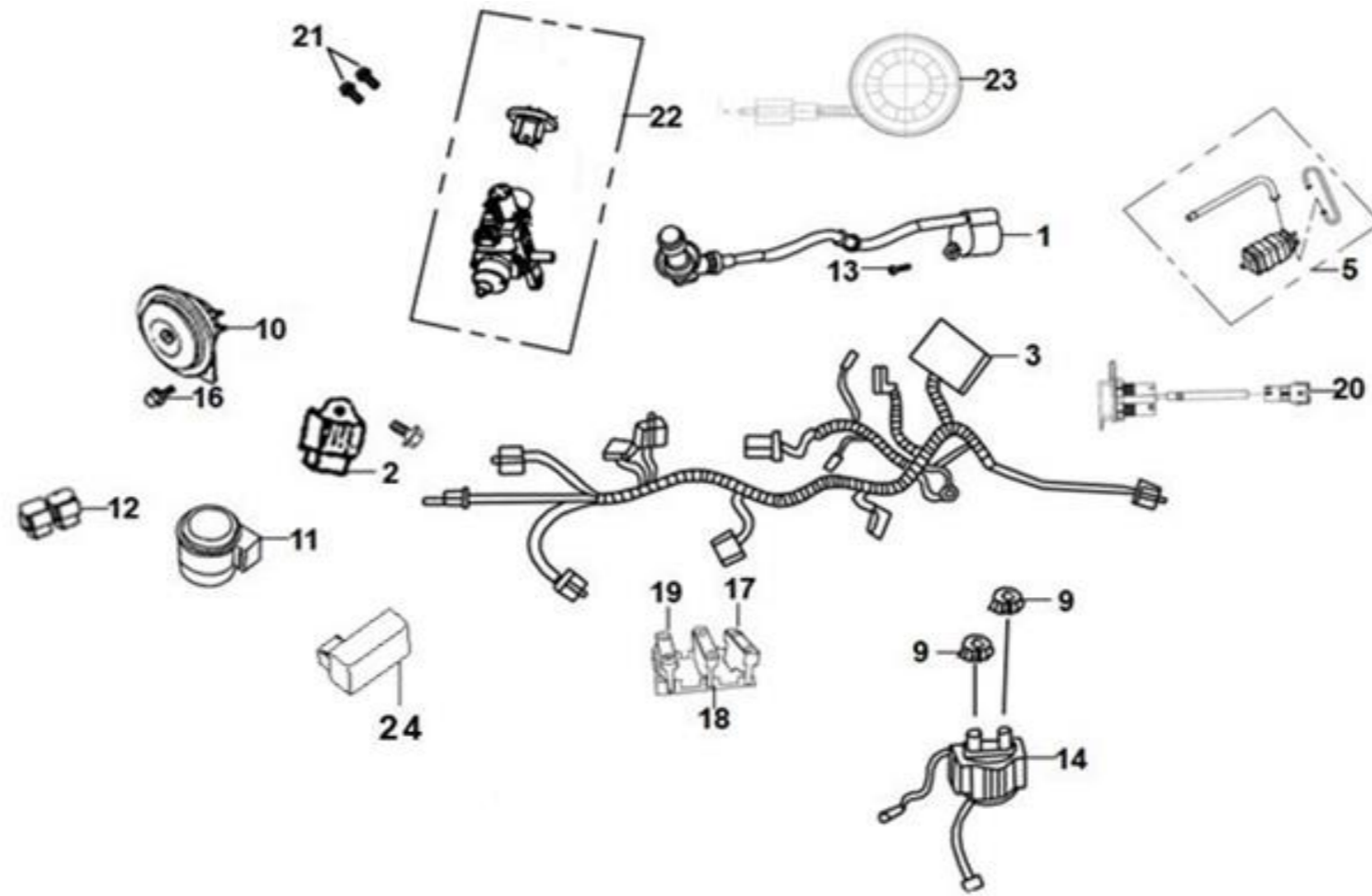
Pictures reference only

NO	PARTS NUMBER	PARTS NAME	QTY	REMARK
1	50512-ARA-000	FLANGE BOLT (GREEN)	1	
2	50500-X81-000	MAIN STAND COMP.	1	
3	50503-F6B-000	MAIN STAND WASHER	2	
4	50504-Z6A-000	MAIN STAND COLLAR	2	
5	5052A-APA-900	MAIN STAND SPG. ASSY	1	
6	50506-ABA-0000-VN	STAND STOP RUBBER A	1	
7	90309-N7C-0000-VN	SELF-LOCK NUT 8 mm	1	
8	50530-X8A-000	SIDE STAND COMP.	1	
9	50535-Z7C-000	SIDE STAND SPRING ASSY	1	
10	90309-N7C-0000-VN	SELF-LOCK NUT 8 mm	1	
11	90108-Z7C-010	SIDE STAND BOLT	1	
12	35270-Z7C-000	SIDE STAND SW. ASS'Y	1	
13	93404-06016-07	WASHER BOLT 6X16 mm	1	

●Please check the color & stripe information according to the color index !

F18 Wire Harness

JET X - KC15CV-MY (VJE)



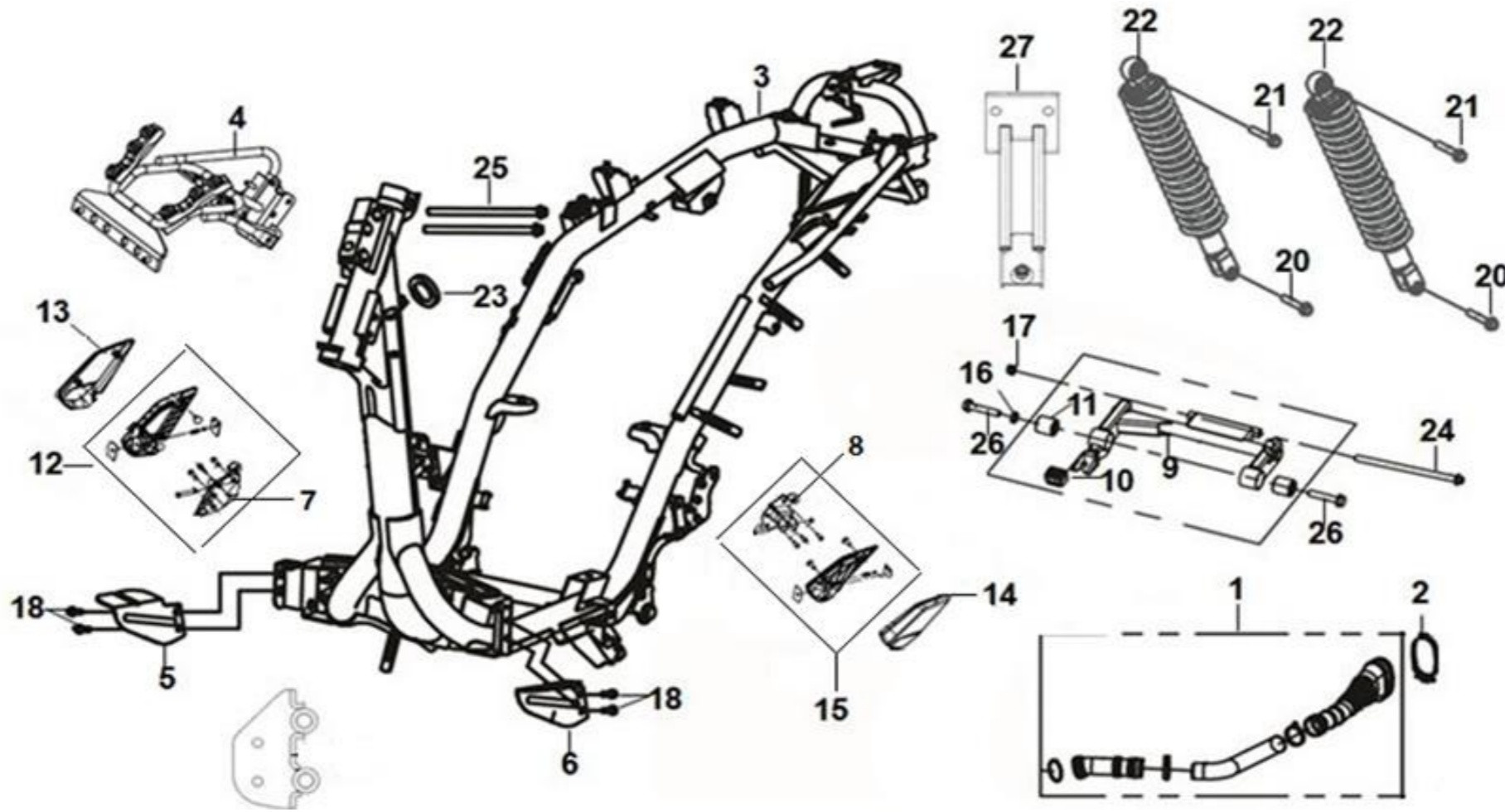
Pictures reference only

NO	PARTS NUMBER	PARTS NAME	QTY	REMARK
1	3051A-X81-010-VN	IGN. COIL ASSY	1	
2	31600-MA1-000	REG REC ASSY	1	
3	32100-XM1-000-VN	WIRE HARNESS	1	
5	1730A-X8A-000	CANISTER SET	1	
9	35859-M9Q-000	START MAG .SW.NUT	2	
10	38100-N7B-E10	HORN COMP	1	
11	38300-XM1-000-VN	WINKER RELAY	1	
12	3850A-HLA-010-A2-L1	ELEC RELAY ASS'Y	3	
13	90112-H5B-0002-VN	COIL SCREW 4 mm	2	
14	3585A-35A-A00	START MAG. SW. ASSY	1	
16	95801-08012-04	Flange bolt 8X12	1	
17	98200-31000	BLADE FUSE 10 A	1	
18	98200-31500	BLADE FUSE 15 A	1	
19	98200-32000	BLADE FUSE 20 A	1	
20	38650-XGA-000-VN	USB CHARGE UNIT	1	
21	90085-XN1-000-VN	SECURITY BOLT	2	
22	35010-XN1-000-VN	SMART KEY SET	1	
23	35500-X93-000-VN	ELEC. BUZZER COMP.	1	
24	33800-F8S-000	HEAD LIGHT CONTROL UNIT	1	

●Please check the color & stripe information according to the color index !

F19 Frame Body • Engine Hanger

JET X - KC15CV-MY (VJE)



Pictures reference only

NO	PARTS NUMBER	PARTS NAME	QTY	REMARK
1	1134C-ARA-0000-VN	L. COVER DUCT COMP	1	
2	11346-M9Q-000-VN	L. COVER DUCT BAND	1	
3	50100-VJC-000	FRAME BODY COMP	1	
4	50180-XN1-000	FRONT COVER STAY	1	
5	50181-XN1-000-VN	R. FLOOR PANEL STAY A	1	
6	50182-XN1-000-VN	L. FLOOR PANEL STAY B	1	
7	50183-XN1-000-VN	R. STEP STAY	1	
8	50184-XN1-000-VN	L. STEP STAY	1	
9	50351-X81-000	ENG HANGER COMP	1	
10	50352-ADB-000	LINK STOPPER. RUBBER	1	
11	50353-M9Q-0000	SWING LOCK BUSH	2	
12	5071A-XN1-000-VN	R. PILLION STEP ASSY.	1	
13	50610-VJC-000-IS	R. PILLION STEP COVER(GY-509S)	1	
14	50710-VJC-000-IS	L. PILLION STEP COVER (GY-509S)	1	
15	5071B-XN1-000-VN	L. PILLION STEP ASSY.	1	
16	90121-M9Q-0001	DISTANCE COLLAR	1	
17	90304-AAA-0000-VN	FLANGE. U NUT 10 mm (GREEN)	1	
18	95801-06012-07	FLANGE BOLT 6x12	4	
20	95801-08035-04	FLANGE BOLT 8 X 35 mm	2	
21	95801-10035-04	FLANGE BOLT 10*35 mm	2	
22	52400-VJC-000	RR. CUSHION ASS'Y	2	Black
23	64306-XPA-000	FR. COVER COLLAR	1	
24	90105-ARA-0000-VN	FLANGE BOLT 10*19 mm (GREEN)	1	
25	95801-08045-04	FLANGE BOLT 8*45 mm	2	
26	90106-KAD-0000	FLANGE BOLT 10*55 mm	2	
27	50110-X8A-000-VN	RR. FENDER STAY	1	

●Please check the color & stripe information according to the color index !



Pictures reference only

NO	PARTS NUMBER	PARTS NAME	QTY	REMARK
1	87127-XN1-000-VN	R. BODY COVER EMBLEM	1	
2	87128-XN1-000-VN	L. BODY COVER EMBLEM	1	
3	87555-B8G-0000	SYM LOGO (40 STRIPE)	1	

●Please check the color & stripe information according to the color index !