

零件目錄書

PART CATALOGUE

TL47W1-EU (TL1 / MAXSYM TL) 歐洲

作承	確認	承認

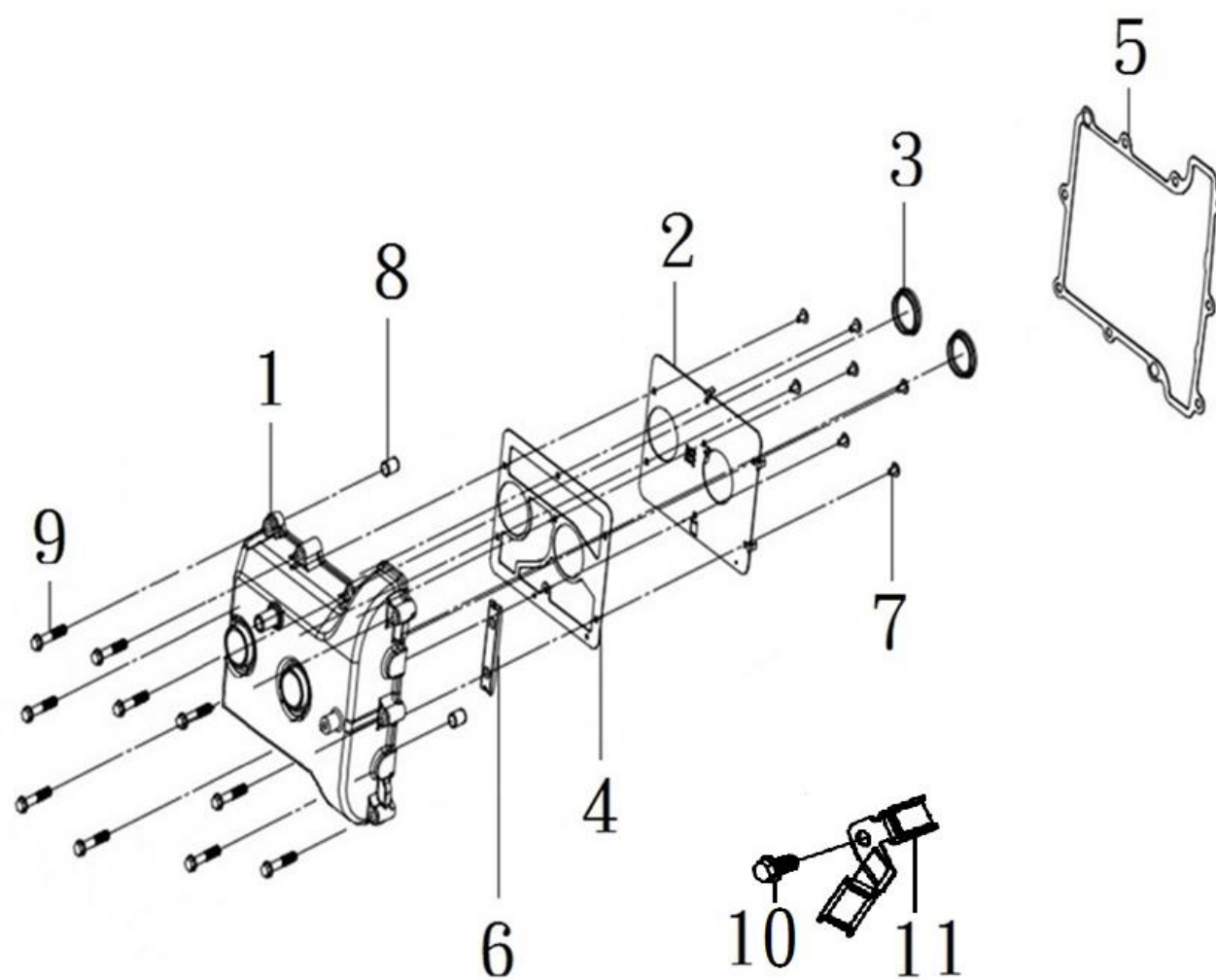
Ver. _____

Date: _____

NO	機種 Model	TL47W1-EU (TL47W1-EU (TL1 / MAXSYM TL) 歐洲)								
	日期 Date		2019/09	2019/09	2019/09	2019/09	2019/09	2019/09	2019/09	2019/09
	機種色 Basic Color		WH-300P	BU-2747U	BK-001UL	GY-008C	WH-300P	BU-2747U	BK-001UL	GY-008C
	色碼 Color Code		W	BL	BK	GY	W5	BL5	BK5	GY5
	零件名稱 Parts Name	零件料號 Parts Number	冰雪白	消光藍	消光黑	灰	冰雪白	消光藍	消光黑	灰
1	R. FR. COVER	64303-TL1-002	-	UH	JH	GG	-	UH	JH	GG
2	L. FR. COVER	64304-TL1-002	-	UH	JH	GG	-	UH	JH	GG
3	FR. COVER	6430A-TL1-000	KB	KB	KB	KB	KB	KB	KB	KB
4	FR FENDER	61100-TL1-000	-	UH	JH	GG	-	UH	JH	GG
5	R. UNDER SPOILER ASSY	5061B-TL1-007	GE	GE	IL	IL	GE	GE	IL	IL
6	L. UNDER SPOILER ASSY	5061C-TL1-007	GE	GE	IL	IL	GE	GE	IL	IL
7	R SIDE COVER ASSY	8351A-TL1-000	GE	GE	IL	IL	GE	GE	IL	IL
8	R SIDE COVER ASSY	83610-TL1-000	GE	GE	IL	IL	GE	GE	IL	IL
9	R. BODY COVER	83500-TL1-000	-	UH	JH	GG	-	UH	JH	GG
10	L. BODY COVER	83600-TL1-000	-	UH	JH	GG	-	UH	JH	GG
11	RR CENTER COVER	83750-TL1-000	KB	KB	KB	KB	KB	KB	KB	KB
12	R. RR. CARRIER ASSY	8120A-TL1-000	KB	KB	KB	KB	KB	KB	KB	KB
13	L. RR. CARRIER ASSY	8130A-TL1-000	KB	KB	KB	KB	KB	KB	KB	KB
14	METER GARNISH	53209-TL1-000	IL	IL	IL	IL	IL	IL	IL	IL
15	TOP HANDLE COVER ASSY	5320A-TL1-000	IL	IL	IL	IL	IL	IL	IL	IL
16	R. MAINTENANCE COVER	81142-TL1-000	KB	KB	KB	KB	KB	KB	KB	KB
17	L. MAINTENANCE COVER	81143-TL1-000	KB	KB	KB	KB	KB	KB	KB	KB
18	R. PILLION STEP	50621-TL1-000	●	●	●	●	●	●	●	●
19	L. PILLION STEP	50622-TL1-000	●	●	●	●	●	●	●	●
20	R. PILLION STEP HOLDER BK-001C	50610-TL1-000	●	●	●	●	●	●	●	●
21	L. PILLION STEP HOLDER BK-001C	50620-TL1-000	●	●	●	●	●	●	●	●
22	FINAL DRIVEN FLANGE	42610-TL1-000	JD	JD	JD	JD	JD	JD	JD	JD
23	FR. CASTING WHEEL COMP	44601-TL1-000	JD	JD	JD	JD	JD	JD	JD	JD
24	RR. CASTING WHEEL COMP	42601-TL1-000	JD	JD	JD	JD	JD	JD	JD	JD
25	R FR CALIPER ASSY	45100-TL1-000	KB	KB	KB	KB	KB	KB	KB	KB
26	L FR CALIPER ASSY	45200-TL1-000	KB	KB	KB	KB	KB	KB	KB	KB
27	RR CALIPER ASSY	43100-TL1-000	KB	KB	KB	KB	KB	KB	KB	KB
28	R FR. BRAKE DISK BK-001C	45121-TL1-000	●	●	●	●	●	●	●	●
29	RR. BRAKE DISK BK-001C	43121-TL1-000	●	●	●	●	●	●	●	●
30	R. FR. CUSHION ASSY BK-001C	51400-TL1-000	●	●	●	●	●	●	●	●
31	L. FR. CUSHION ASSY BK-001C	51500-TL1-000	●	●	●	●	●	●	●	●
32	MAIN STAND COMP BK-001C	50500-TL1-000	●	●	●	●	●	●	●	●
33	SIDE STAND COMP BK-001C	50530-TL1-000	●	●	●	●	●	●	●	●
34	R SWING ARM ASSY BK-001C	5211A-TL1-000	●	●	●	●	●	●	●	●
35	L SWING ARM ASSY BK-001C	5212E-TL1-000	●	●	●	●	●	●	●	●
36	PIVOT HOLDER BK-001C	52150-TL1-000	●	●	●	●	●	●	●	●
37	SWINGARM PIVOT COVER BK-001C	52160-TL1-000	●	●	●	●	●	●	●	●
38	PUSH ROD ASSY BK-7C	5214A-TL1-000	●	●	●	●	●	●	●	●
39	RR. CUSSION ROCKER ASSY. BK-001C	5213A-TL1-000	●	●	●	●	●	●	●	●
40	L. OUTER COVER ASSY.	1135A-TL1-000	IL	IL	IL	IL	IL	IL	IL	IL
41	R. OUTER COVER ASSY.	1136A-TL1-010	IL	IL	IL	IL	IL	IL	IL	IL
42	MUFFLER REAR PROTECTOR GY-7450U	18328-TL1-000	●	●	●	●	●	●	●	●
43	R CRANK CASE COMP GY-7520U	11100-TL1-010	●	●	●	●	●	●	●	●
44	L. CRANK CASE COMP. GY-7520U	11200-TL1-000	●	●	●	●	●	●	●	●
45	R. CRANK CASE COVER GY-7520U	11331-TL1-010	●	●	●	●	●	●	●	●
46	L. CRANK CASE COVER COMP. GY-7520U	11340-TL1-000	●	●	●	●	●	●	●	●
48	R. BODY COVER EMBLEM (TL500)	87126-TL1-100					●	●	●	●
50	L. BODY COVER EMBLEM (TL500)	87127-TL1-100					●	●	●	●
51	DY COVER EMBLEM (TL) R-200CA+S-011U	87128-TL1-010	●	●	●	●	●	●	●	●
52	SYM LOGO (40 PC) TYPE1 (BK / GD)	87552-F93-000	T1	T1	T1	T1	T1	T1	T1	T1
53	SYM LOGO (50 PC) TYPE1 (BK / GD)	87552-TL1-000	T1	T1	T1	T1	T1	T1	T1	T1

色碼備註 Color Remarks		
UH	MATTE BLUE	BU-2747U
JH	MATTE BLACK	BK-001UL
GG	GRAY	GY-008C
GE	MATTE GRAY	GY-010UL
IL	MATTE GRAY	GY-7450U
KB	BLACK	BK-001C
JD	BLACK	BK-7C
●	-	-

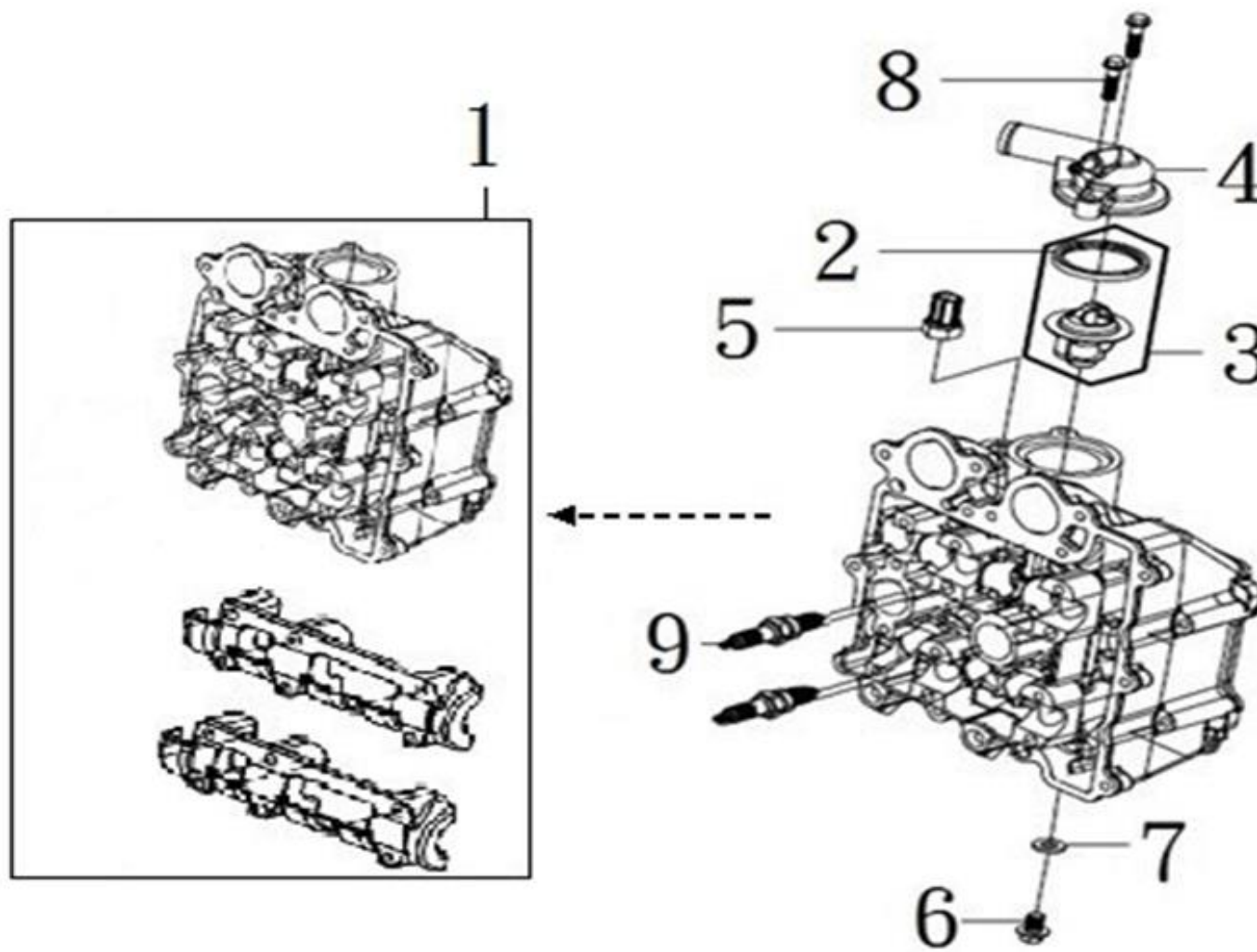
汽缸頭蓋 CYLINDER HEAD COVER ASSY.



圖面僅供參考
Pictures reference only

NO	PARTS NUMBER	DESCRIPTION	QTY	REMARK
1	12301-TL1-000	CYLINDER HEAD COVER	1	
2	12302-TL1-000	BREATHER SEPARATING PLATE COMP.	1	
3	12303-TL1-000	HEAD COVER SEAL	2	
4	12308-TL1-000	SEPARATING PLATE GASKET	1	
5	12391-TL1-000	CYLN. HEAD COVER GASKET	1	
6	14710-TL1-000	CAM CHAIN GUIDE B	1	
7	93903-34120	TAPPING SCREW 4*8	7	
8	90703-M8Q-000	DOWEL PIN 10*14	2	
9	96001-06035-00	FLANGE SH BOLT 6X35	10	
10	96001-06012-00	FLANGE BOLT SH 6*12	1	
11	15715-TL1-000	A.I.S.V. TUBE STAY	1	

●Please check the color & stripe information according to the color index !

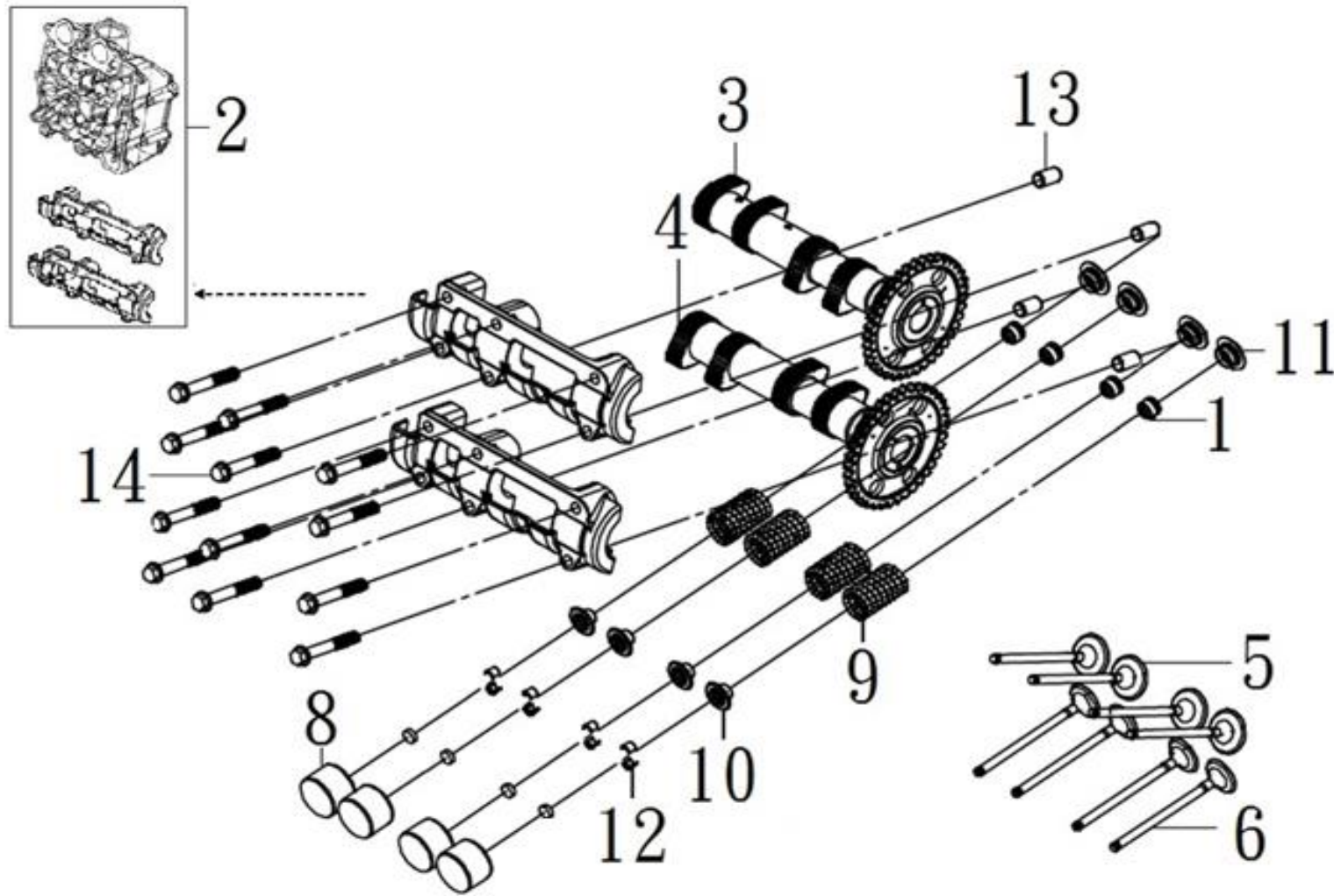


圖面僅供參考
Pictures reference only

NO	PARTS NUMBER	DESCRIPTION	QTY	REMARK
1	1220S-TL1-000	CYLINDER HEAD SET	1	
2	19301-REA-000	THERMOSTAT RING 48.3	1	
3	1930A-L6C-000	THERMOSTAT ASSY	1	
4	19315-TL1-000	THERMOSTAT COVER COMP	1	
5	37880-HLK-900	COOLANT TEMP. SENSOR	1	
6	90103-M9Q-000	SPECIAL BOLT 8mm	1	
7	90474-M9Q-000	WASHER 8mm	1	
8	96001-06025-07	FLANGE BOLT SH 6*25	2	
9	299074470010	SPARK PLUG CPR8EA-9/49	2	nett price

●Please check the color & stripe information according to the color index !

凸輪軸 CAM SHAFT

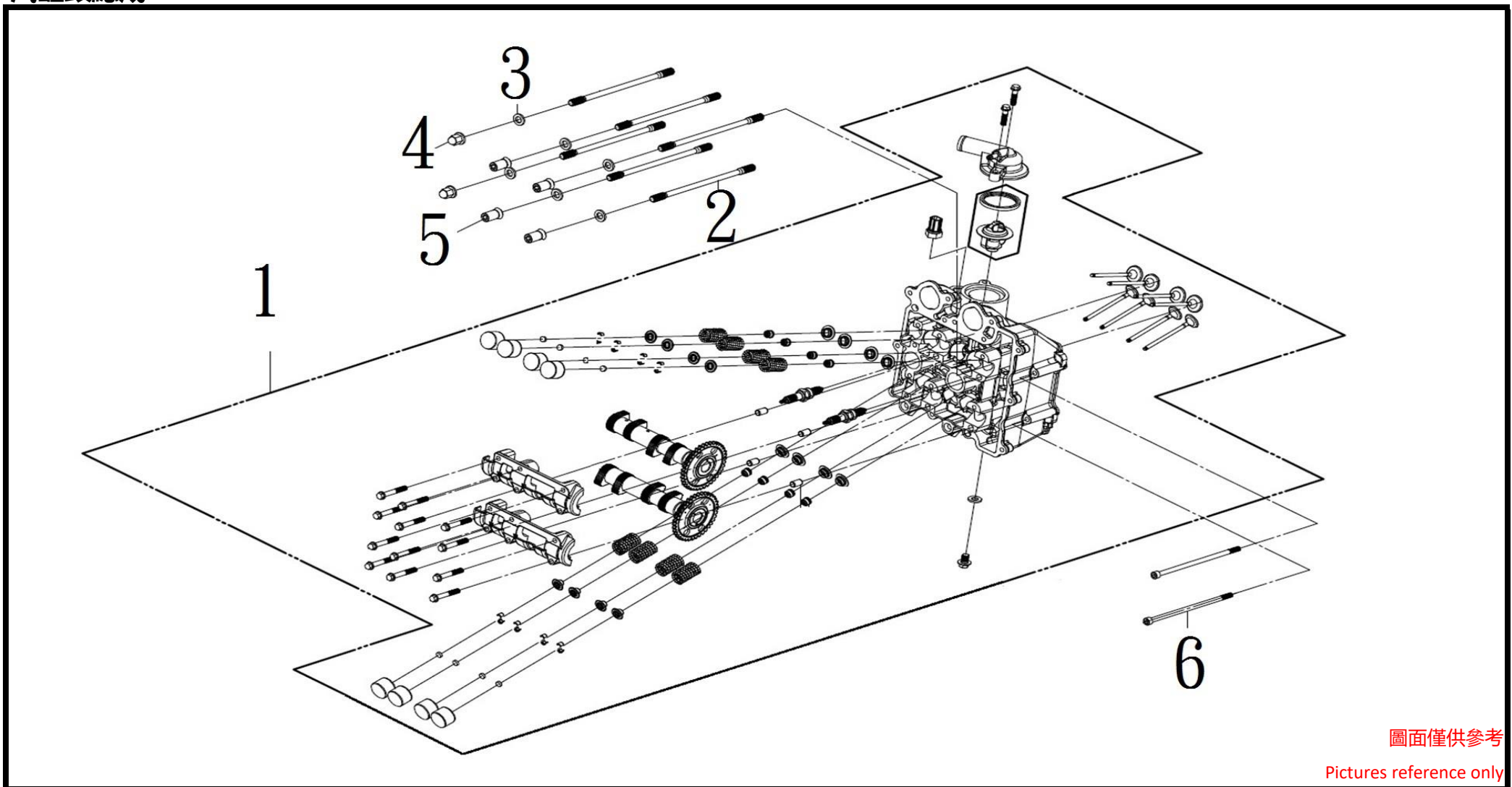


圖面僅供參考
Pictures reference only

NO	PARTS NUMBER	DESCRIPTION	QTY	REMARK
1	12209-L1N-000	VALVE STEM SEAL	8	
2	1220S-TL1-000	CYLINDER HEAD SET	1	
3	14100-TL1-000	INTAKE CAM SHAFT COMP.	1	
4	14200-TL1-000	EXHAUST CAM SHAFT COMP.	1	
5	14711-TL1-000	INLET VALVE	4	
6	14721-TL1-000	EXHAUST VALVE	4	
8	14741-TL1-000	TAPPET	8	
9	14751-TL1-000	VALVE SPRING	8	
10	14771-TL1-000	VALVE SPRING RETAINER	8	
11	14775-HLK-000	SETA VALVE SPRING	8	
12	14781-L1N-000-A	VALVE COTTER	1 SET	4pcs/set
13	94301-08140	DOWEL PIN 8*14	4	
14	96001-06040-07	FLANGE SH BOLT 6*40	12	

●Please check the color & stripe information according to the color index !

汽缸頭總成 CYLINDER HEAD ASSY

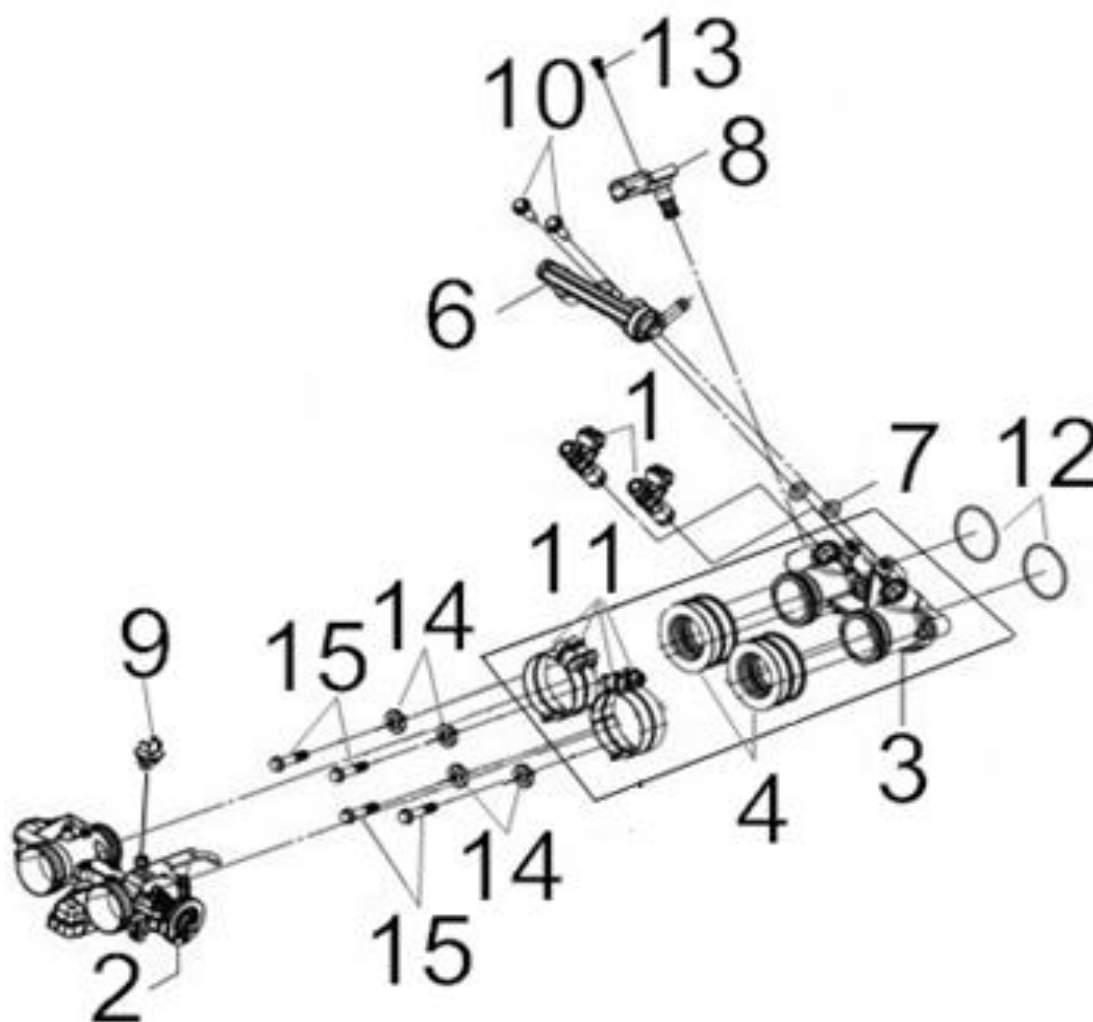


圖面僅供參考
Pictures reference only

NO	PARTS NUMBER	DESCRIPTION	QTY	REMARK
1	1220A-TL1-000	CYLINDER HEAD ASSY	1	
2	90031-L1N-000-L1	CYL. STUD BOLT A	6	
3	90442-TL1-000	SEALING WASHER 9.5X16.5MM	6	
4	90443-TL1-000	CAP NUT 9mm	2	
5	92161-TL1-000	SPECIAL NUT	4	
6	96700-06140-10	SOCKET BOLT 6*140	2	

●Please check the color & stripe information according to the color index !

進氣歧管 INLET PIPE SET

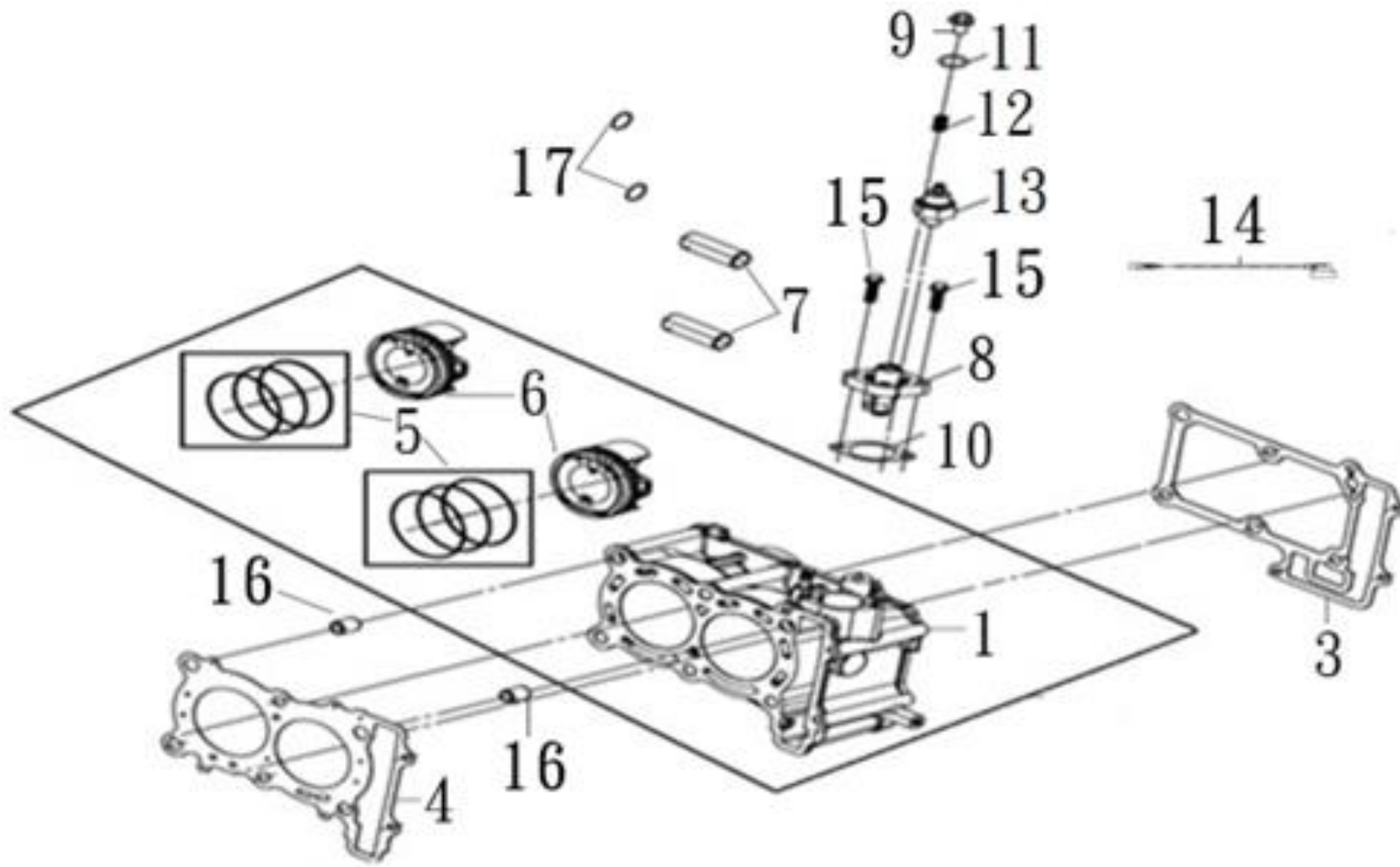


圖面僅供參考
Pictures reference only

NO	PARTS NUMBER	DESCRIPTION	QTY	REMARK
1	06414-XTA-000	FUEL INJECTOR	2	
1.1	06415-HKK-000	O-RING	1	
1.2	06416-HKK-000	SEAL-RING	1	
2	16400-TL1-000	THROTTLE BODY ASSY	1	
3	17110-TL1-000	INLET PIPE COMP	1	
4	17111-TL1-000	INLET PIPE RUBBER	2	
6	17120-TL1-000	FUEL INJECTOR CUP	1	
7	17123-TL1-000	FUEL CAP PACKING 7*15*1	2	
8	37830-MMA-900	T-MAP SENSOR	1	
9	90611-FFE-000	PIPE CLAMP	1	
10	91006-TL1-000	FUEL CAP BOLT 5*23	2	
11	91011-TL1-000	AIR/C. CONN. TUBE BAND 52	4	
12	91308-L3A-000	INSULATOR SEAL	2	
13	93904-44580	TAPPING SCREW 4*20	1	
14	94101-06000	PLAIN WASHER 12mm	4	
15	96001-06030-00	FLANGE BOLT SH 6*30	4	

●Please check the color & stripe information according to the color index !

汽缸整組 CYLINDER SET



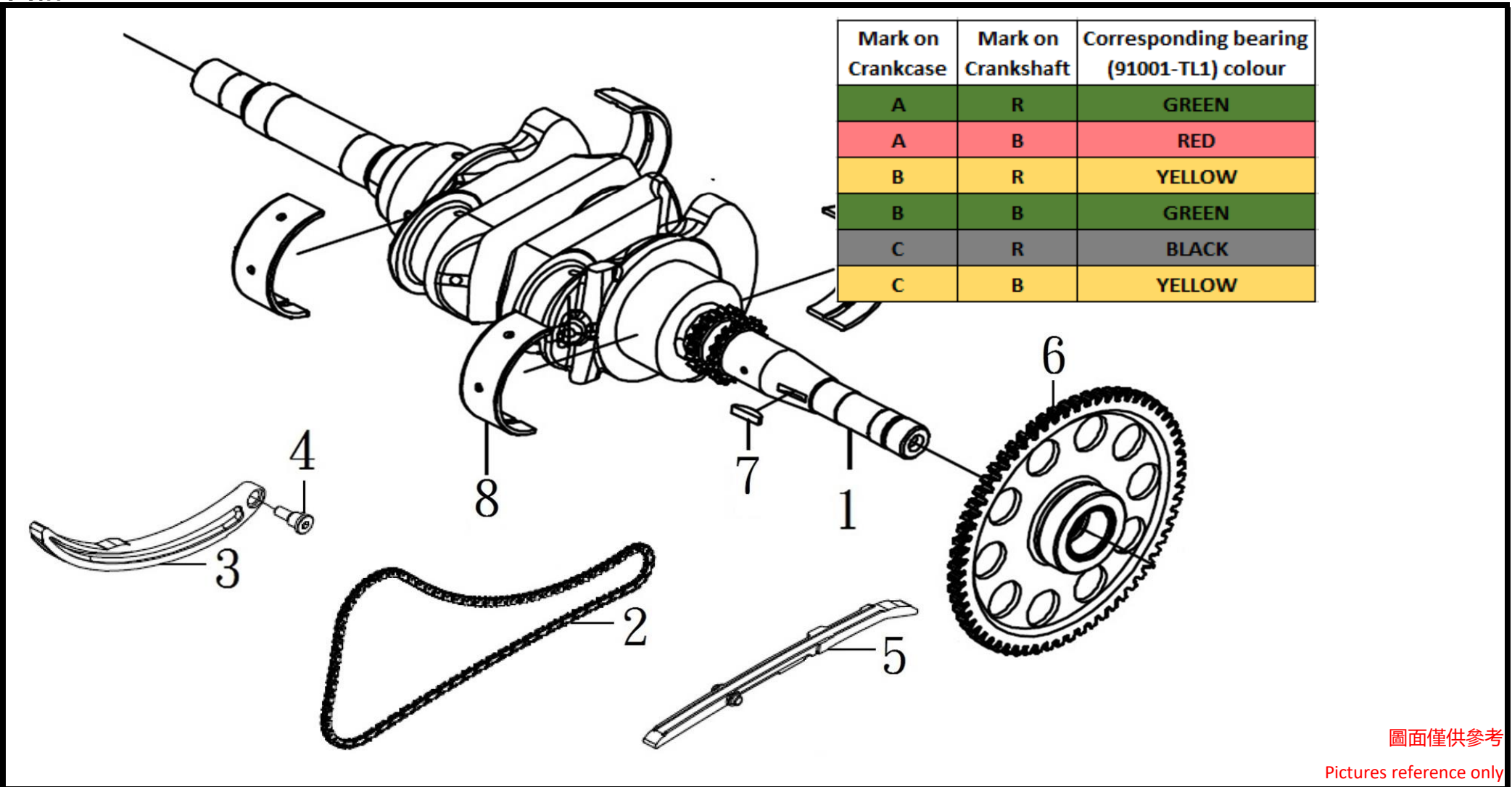
圖面僅供參考

Pictures reference only

NO	PARTS NUMBER	DESCRIPTION	QTY	REMARK
1	12100-TL1-000	CYLINDER COMP	1	
3	12191-TL1-000	CYLINDER GASKET	1	
4	12251-TL1-000	CYLINDER HEAD GASKET	1	
5	13010-TL1-000	PISTON RING SET	2	
6	13101-TL1-000	PISTON	2	
7	13111-TL1-000	PISTON PIN 16*46.6	2	
8	14520-H6T-000	TENSIONER LIFTER	1	
9	14522-H6T-000	TENSIONER ADJUSTER BOLT	1	
10	14523-M9Q-002	TENSIONER LIFTER GASKET	1	
11	14524-H6T-000	O-RING	1	
12	14525-H6T-000	ADJUSTER SPRING	1	
13	37240-L4A-000	OIL PRESSURE SW. ASSY	1	
14	37275-L4A-000	OIL PRESSURE SUB CORD	1	
15	90001-RFS-000	FLANGE SHF BOLT 6*22	2	
16	91020-TL1-000	DOWEL PIN 12*16	2	
17	94601-16000	PISTON PIN CLIP 16mm	2	

●Please check the color & stripe information according to the color index !

曲軸 CRANK SHAFT

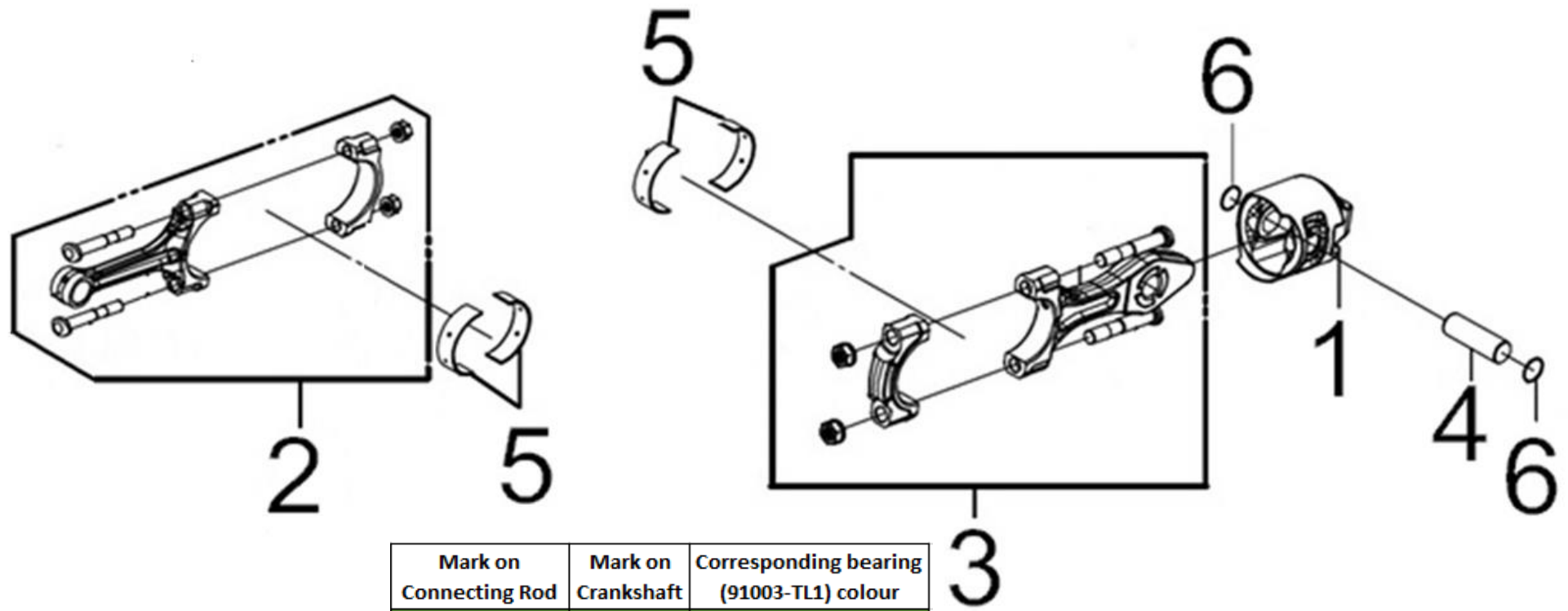


圖面僅供參考
Pictures reference only

NO	PARTS NUMBER	DESCRIPTION	QTY	REMARK
1	13000-TL1-000	CRANK SHAFT COMP.	1	
2	14401-TL1-000	CAM CHAIN 132L	1	
3	14510-TL1-000	CAM CHAIN TENSIONER	1	
4	14531-REA-000	CAM CHAIN TENSIONER PIVOT	1	
5	14610-TL1-000	CAM CHAIN GUIDE	1	
6	28110-L4A-002	STARTING CLUTCH GEAR COMP	1	
7	90701-HB6-010	WOODRUFF KEY 25*14*4	1	
8	91001-TL1-000	MAIN BRG. (55*60*23)	4	provide while stock last
8	91001-TL1-000-01	MAIN BRG.-BLACK (55*60*23)	4	refer above bearing colour table
8	91001-TL1-000-02	MAIN BRG.-YELLOW (55*60*23)	4	refer above bearing colour table
8	91001-TL1-000-03	MAIN BRG.-GREEN (55*60*23)	4	refer above bearing colour table
8	91001-TL1-000-04	MAIN BRG.-RED (55*60*23)	4	refer above bearing colour table

●Please check the color & stripe information according to the color index !

連結桿 CONNECTING ROD ASSY

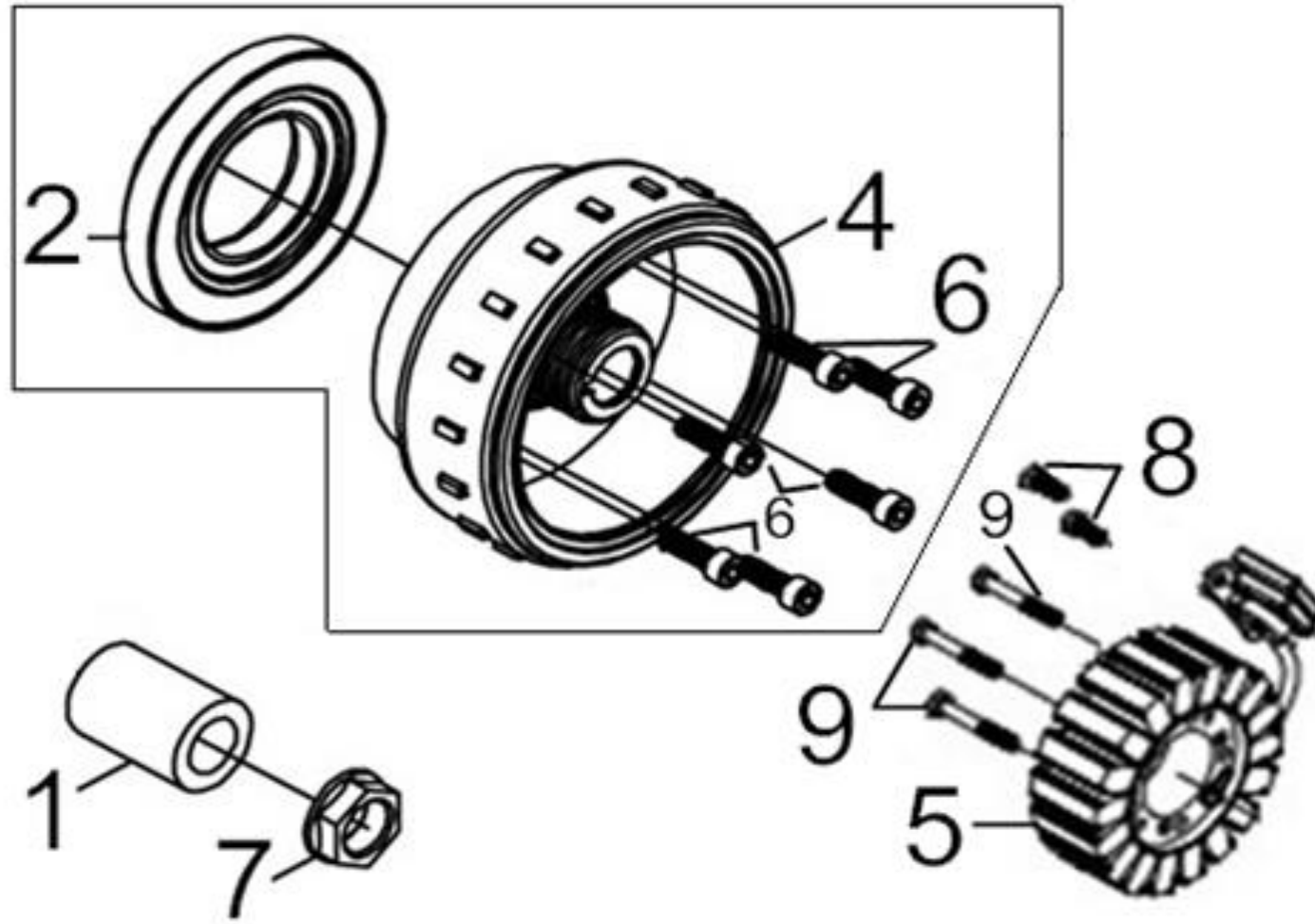


Mark on Connecting Rod	Mark on Crankshaft	Corresponding bearing (91003-TL1) colour
A	R	GREEN
A	B	RED
B	R	YELLOW
B	B	GREEN
C	R	BLACK
C	B	YELLOW

圖面僅供參考
Pictures reference only

NO	PARTS NUMBER	DESCRIPTION	QTY	REMARK
1	13102-TL1-000	BALANCE PISTON	1	
2	13210-TL1-000	CONNECTING ROD ASSY.	1	
3	13220-TL1-000	BALANCE CONN. ROD ASSY.	1	
4	13411-TL1-000	BALANCE PISTON PIN	1	
5	91003-TL1-000	CON-ROD BRG. (42*45*13.5)	x	stop supply
5	91003-TL1-000-01	CON-ROD BRG.-BLACK (42*45*13.5)	4	refer above bearing colour table
5	91003-TL1-000-02	CON-ROD BRG.-YELLOW (42*45*13.5)	4	refer above bearing colour table
5	91003-TL1-000-03	CON-ROD BRG.-GREEN (42*45*13.5)	4	refer above bearing colour table
5	91003-TL1-000-04	CON-ROD BRG.-RED (42*45*13.5)	4	refer above bearing colour table
6	94601-15000	PISTON PIN CLIP 15mm	1	

●Please check the color & stripe information according to the color index !

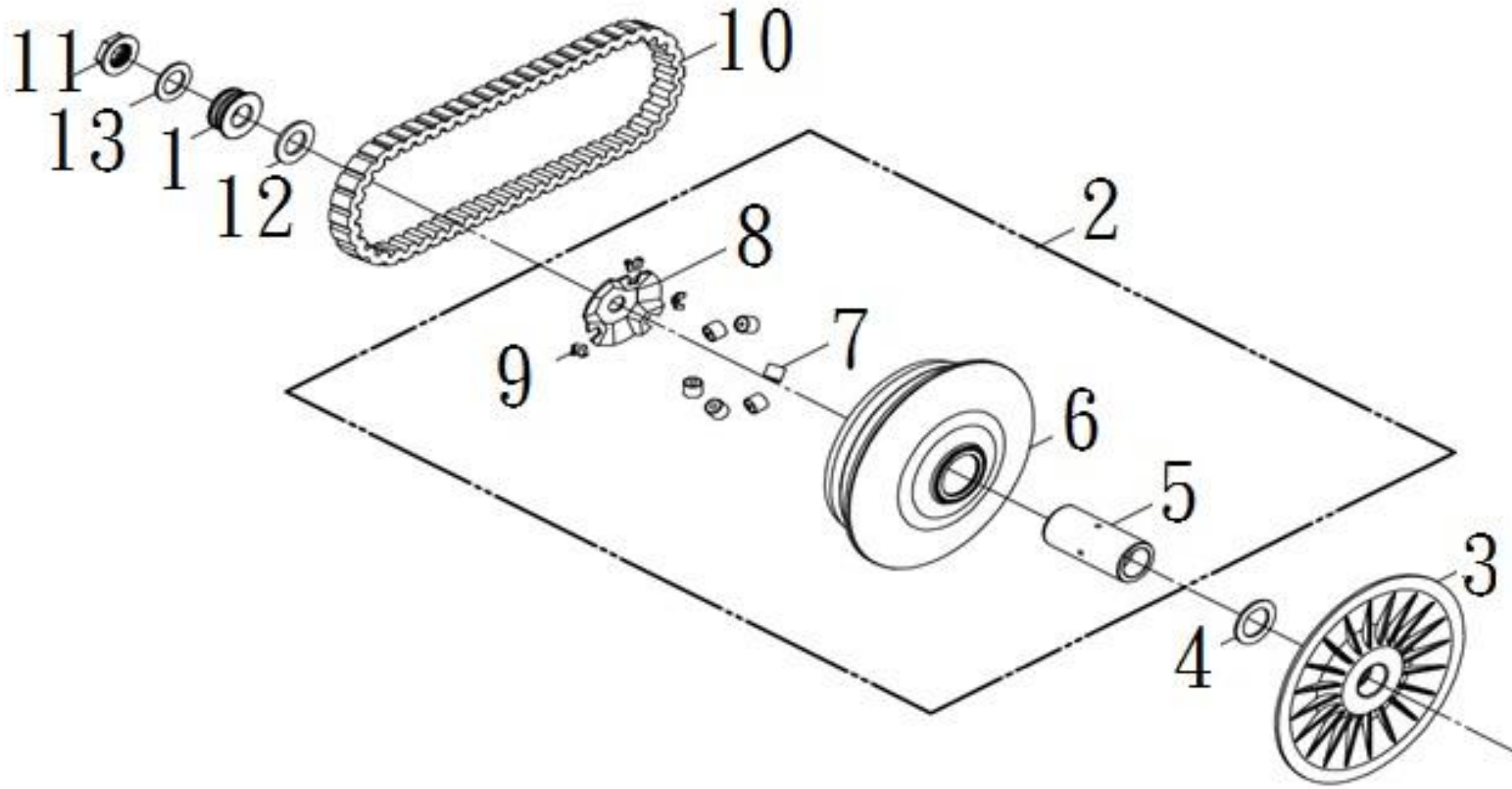


圖面僅供參考
Pictures reference only

NO	PARTS NUMBER	DESCRIPTION	QTY	REMARK
1	13001-TL1-000	CRANK SHAFT COLLAR 18*30*41.4	1	
2	2812A-TL1-000	STARTING CLUTCH ASSY	1	
4	31110-TL1-000	FLYWHEEL COMP	1	
5	31120-TL1-000	STATOR COMP	1	
6	90002-L4G-000	SOCKET BOLT 6*20	6	
7	90210-TL1-000	LOCK NUT 18mm	1	
8	92101-05012-0A	HEX BOLT 5*12	2	
9	92101-05035-0H	HEX BOLT 5*35mm	3	

●Please check the color & stripe information according to the color index !

滑動驅動盤 MOVABLE DRIVE FACE

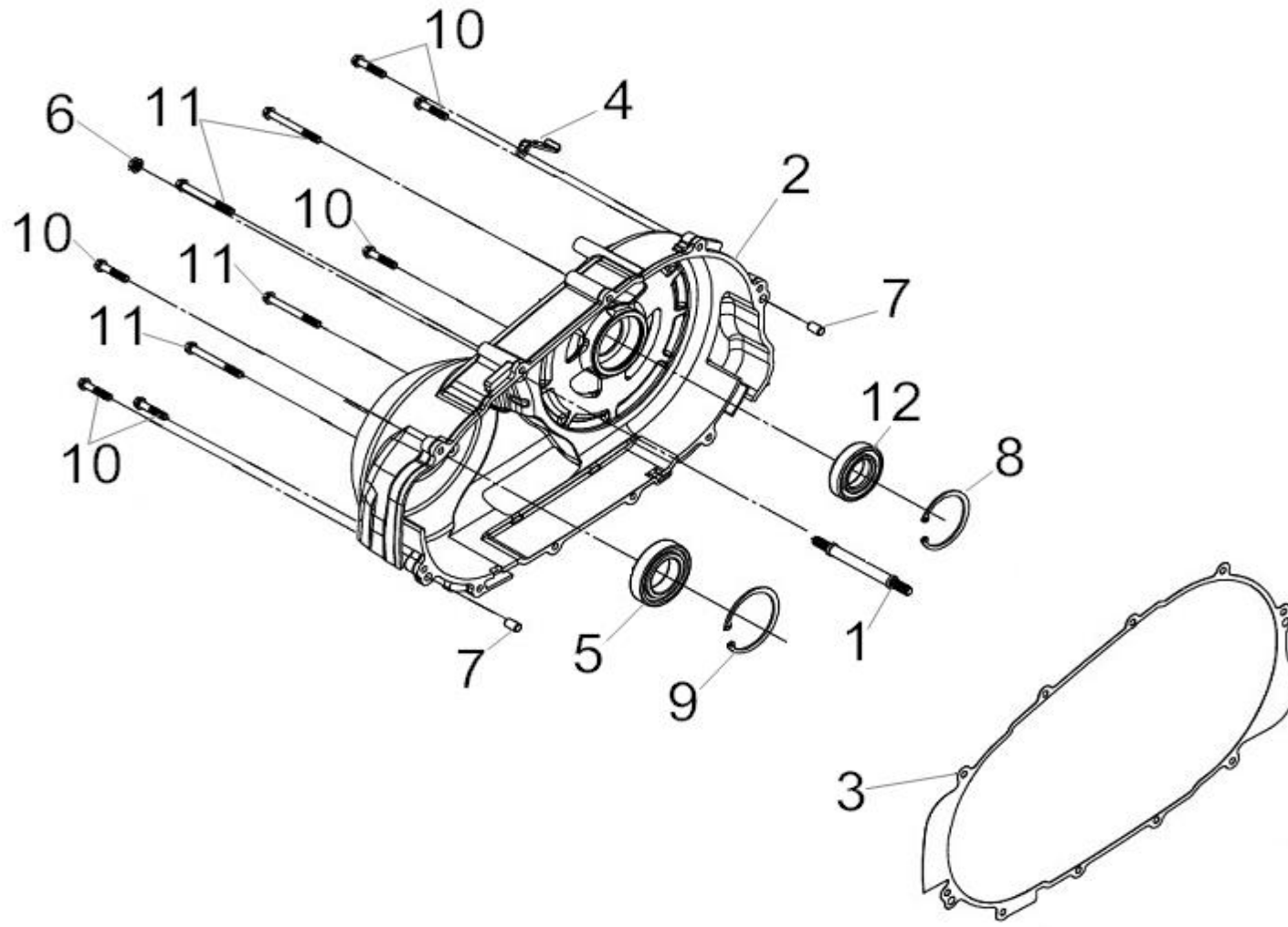


圖面僅供參考
Pictures reference only

NO	PARTS NUMBER	DESCRIPTION	QTY	REMARK
1	1137A-TL1-000	BEARING STAY COLLAR ASSY.	1	
2	22000-TL1-000	MOVABLE DRIVE FACE ASSY.	1	
3	22102-TL1-000	DRIVE FACE COMP	1	
4	22103-TL1-000	WASHER THRUST 25*38*2.0	1	
5	22105-TL1-000	DRIVE FACE BOSS	1	
6	22110-TLA-000	MOVABLE DRIVE FACE COMP	1	
7	22121-TL1-020-A	WEIGHT ROLLER COMP (8PCS/SET)	1 SET	
8	22131-TL1-010	RAMP PLATE	1	
9	22132-TL1-010-A	DRIVE PULLEY CUSHION (8PCS/SET)	1 SET	
10	23100-TL1-000	DRIVE BELT	1	
11	90202-REA-000	LOCK NUT 20mm	1	
12	90402-BAA-000	THRUST WASHER 20.2*36*2.5	1	
13	90406-TL1-000	THRUST WASHER 20.2*33*2	1	

●Please check the color & stripe information according to the color index !

右曲軸箱蓋 R. CRANK CASE COVER ASSY.

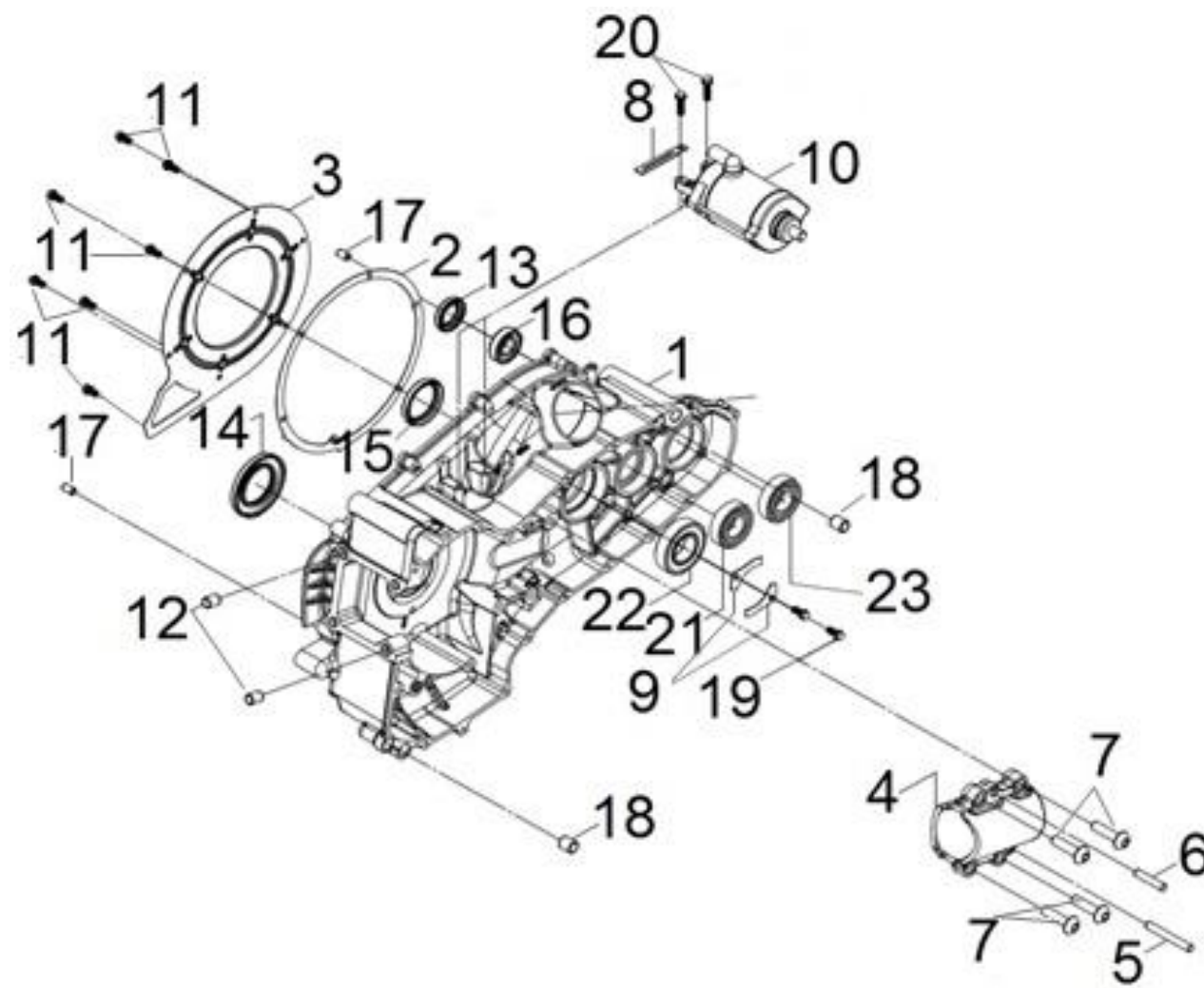


圖面僅供參考
Pictures reference only

NO	PARTS NUMBER	DESCRIPTION	QTY	REMARK
1	11113-TL1-000	R COVER STUD BOLT M8	1	
2	11331-TL1-010	R. CRANK CASE COVER	1	
3	11394-TL1-010	R. CRANK CASE COVER GASKET	1	
4	52116-TL1-000	R RR. FORK CABLE STAY A	1	
5	91002-TL1-000	RADIAL BALL BEARING 6007LLHV16	1	
6	94050-08000	FLANGE NUT 8mm	1	
7	94301-08140	DOWEL PIN 8*14	2	
8	94520-55000	CIRCLIP IN 55	1	
9	94520-62000	CIRCLIP IN. 62	1	
10	96001-06030-00	FLANGE BOLT SH 6*30	6	
11	96001-06060-00	FLANGE BOLT SH 6*60	4	
12	96150-60060-10	RADIAL BALL BEARING 6006LLU	1	

●Please check the color & stripe information according to the color index !

右曲軸箱 R. CRANK CASE COMP

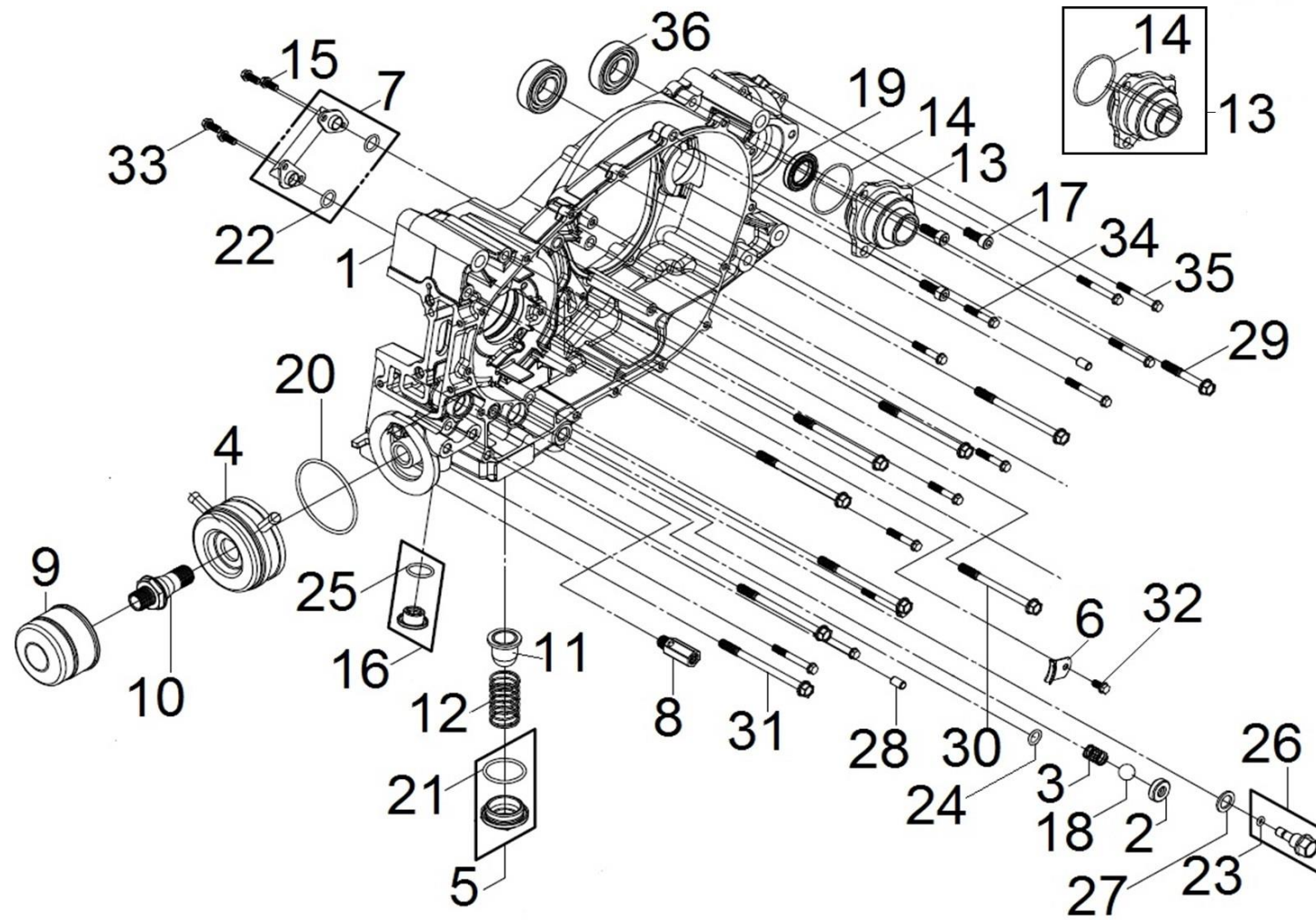


圖面僅供參考
Pictures reference only

NO	PARTS NUMBER	DESCRIPTION	QTY	REMARK
1	11100-TL1-010	R CRANK CASE COMP GY-7520U	1	
2	11111-TL1-000	CVT PLATE GASKET	1	
3	11112-TL1-000	CVT PLATE	1	
4	12110-TL1-000	BALANCE CYLINDER	1	
5	12111-TL1-000	BALANCE CYLN. DOWEL PIN A	1	
6	12112-TL1-000	BALANCE CYLN. DOWEL PIN B	1	
7	12113-TL1-000	BALANCE CYLINDER BOLT	4	
8	12342-G02-000	CLAMP	1	
9	21202-TL1-000	BRG. SETTING PLATE	2	
10	31200-TL1-000	START MOTOR ASSY	1	
11	90001-AZA-000	SH FLANGE BOLT 5*12	7	
12	91020-TL1-000	DOWEL PIN 12*16	2	
13	91202-RCA-000	OIL SEAL (24*40*7)	1	
14	91204-TL1-000	OIL SEAL HTCR 44*75.8	1	
15	91205-TL1-010	OIL SEAL HTCR 42*55*7	1	
16	91215-RCA-000	BEARING 4T-30203	1	
17	94301-08140	DOWEL PIN 8*14	2	
18	94301-REA-300	KNOCK PIN 14*16	2	
19	96001-06014-00	FLANGE BOLT SH 6*14	2	
20	96001-06022-00	FLANGE BOLT SH 6*22	6	
21	96100-62050-00	RADIAL BALL BRG. 6205	1	
22	96100-62060-00	RADIAL BALL BEARING 6206	1	
23	96100-63040-00	RADIAL BALL BRG. 6304	1	

●Please check the color & stripe information according to the color index !

左曲軸箱 L. CRANK CASE



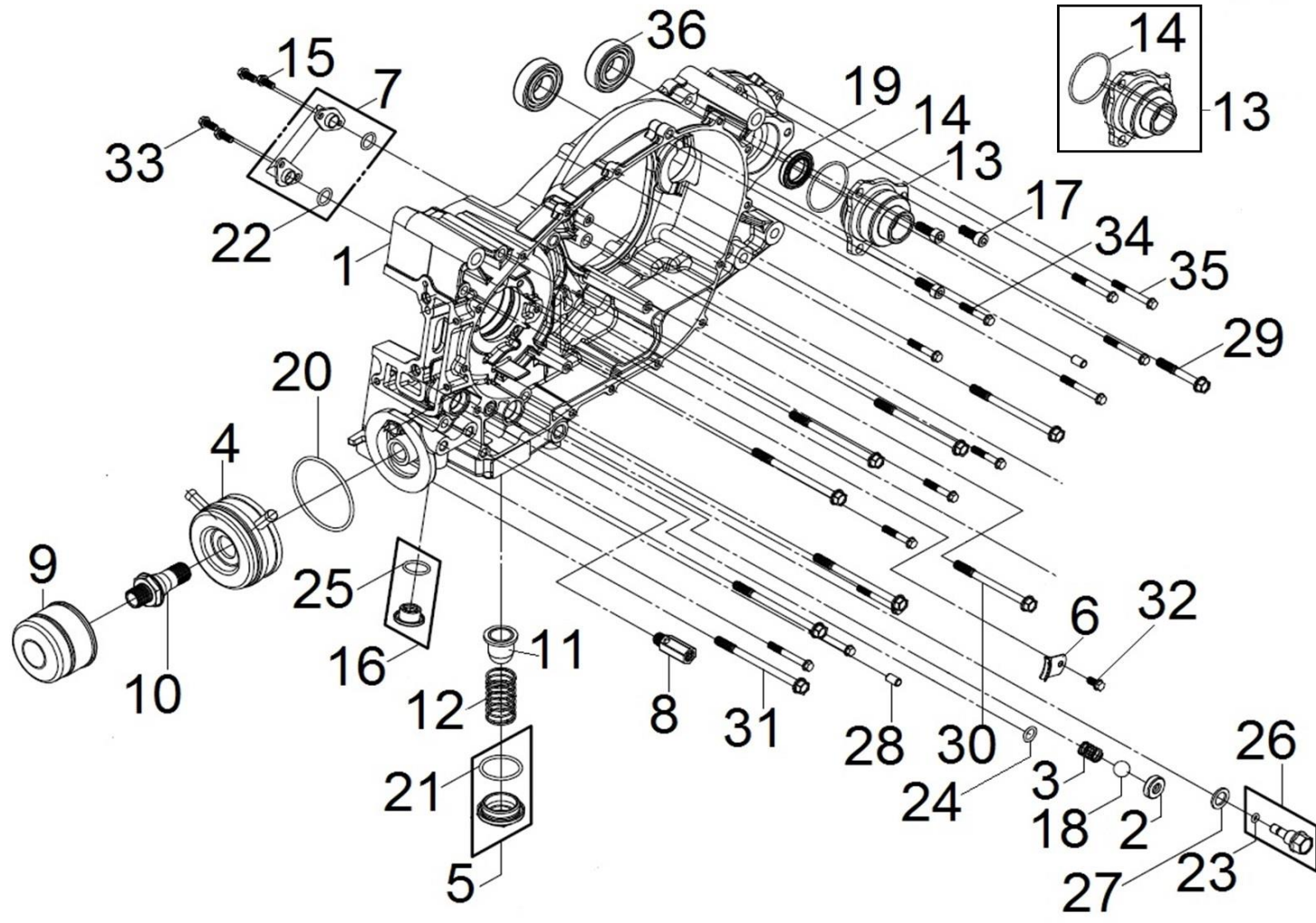
圖面僅供參考

Pictures reference only

NO	PARTS NUMBER	DESCRIPTION	QTY	REMARK
1	11200-TL1-000	L. CRANK CASE COMP. GY-7520U	1	
2	11201-TL1-000	OIL SEAL VCY 11*23*7	1	
3	11202-TL1-000	CHECK BALL SPRING	1	
4	11360-TL1-000	OIL COOLER ASSY.	1	
5	1236A-B04-000	TAPPET ADJ. HOLE CAP ASSY	1	
6	14151-L4A-000	CAM CHAIN SETTING PLATE	1	
7	1522A-TL1-000	OIL PIPE ASSY.	1	
8	15230-REA-000	OIL RELIEF ASSY	1	
9	1540A-TL1-000	OIL FILTER UNIT	1	
10	15402-TL1-000	OIL FILTER BOLT	1	
11	15421-REA-000	OIL FILTER SCREEN (248→780)	1	
12	15426-REA-000	OIL FILTER SCREEN SPRING	1	
13	2343A-TL1-000	FINAL SHAFT COVER	1	
13.1	90915-TL1-000-A	TAPPING BEARING 32907XU SET	1	
14	23438-TL1-000	O-RING 49.5*2.5	1	
15	90001-AZA-000	SH FLANGE BOLT 5*12	1	
16	9010A-TL1-000	OIL HOLE CAP ASSY.	1	
17	90157-F3G-000	SOCKET BOLT 8*20	3	
18	91016-TL1-000	STEEL BALL 20	1	
19	91204-HMA-000	OIL SEAL 25*40*7	1	
20	91301-TL1-000	O-RING 74.4*3.1	1	
21	91303-B08-000	O-RING 35*3	1	
22	91303-M2Q-000	O RING 13.8*2.5mm	2	
23	91304-TL1-000	O-RING 4.8*2.4	1	
24	91310-REA-000	L.CASE OIL HOLE O-RING	1	
25	91311-TL1-000	O-RING 21.7*2.5	1	
26	9280A-TL1-000	DRAIN PLUG BOLT ASSY	1	
27	94109-14000	DRAIN PLUG WASHER 14MM	1	
28	94301-08140	DOWEL PIN 8*14	2	

●Please check the color & stripe information according to the color index !

左曲軸箱 L. CRANK CASE

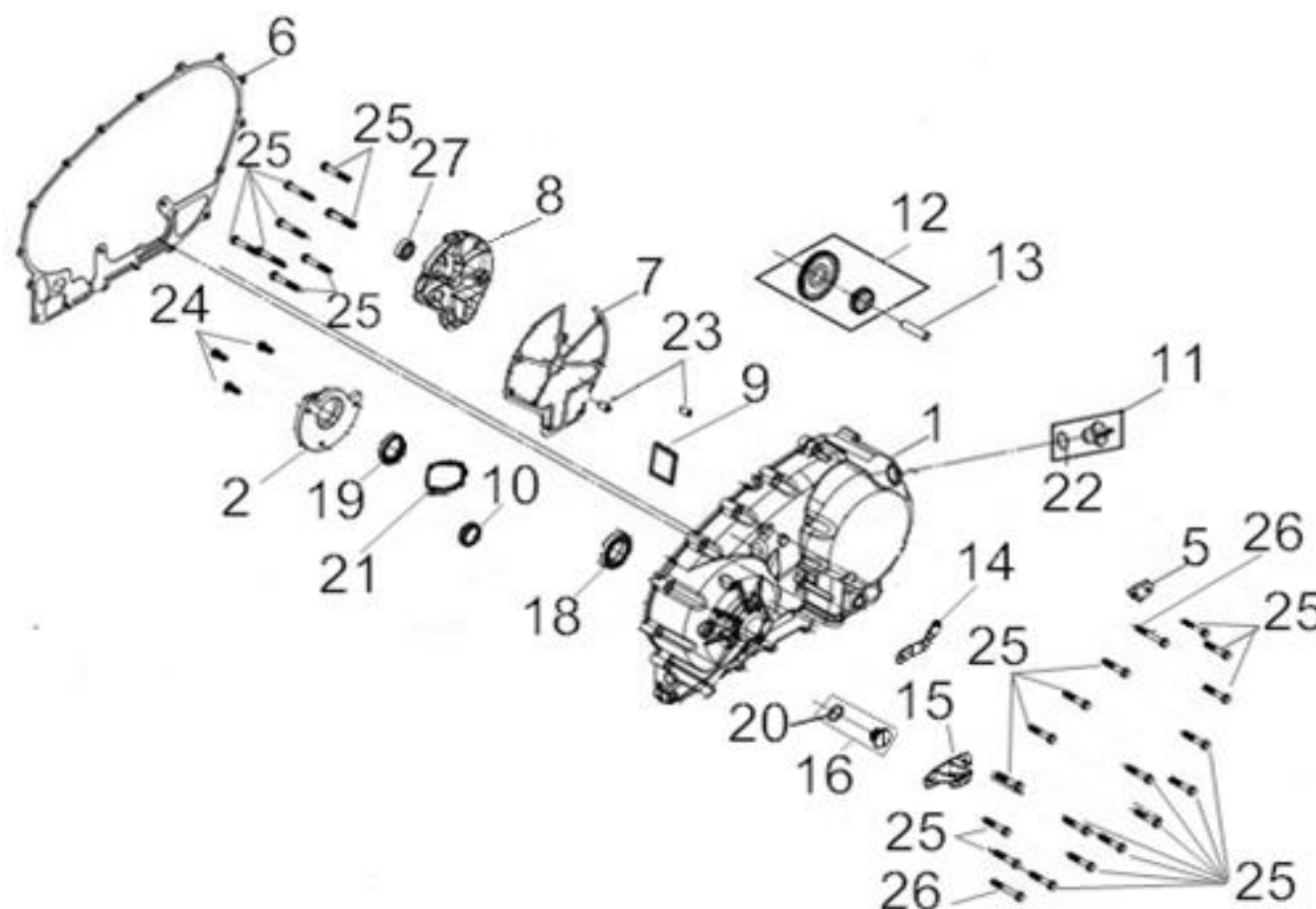


圖面僅供參考
Pictures reference only

NO	PARTS NUMBER	DESCRIPTION	QTY	REMARK
29	95701-08055-00	FLANGE BOLT 8*55	1	
30	95701-08095-00	FLANGE BOLT 8*95	1	
31	95701-08110-00	FLANGE BOLT 8*110	7	
32	96001-06012-00	FLANGE BOLT SH 6*12	1	
33	96001-06014-00	FLANGE BOLT SH 6*14	3	
34	96001-06035-00	FLANGE SH BOLT 6*35	5	
35	96001-06050-00	FLANGE BOLT SH 6*50	7	
36	96100-62050-00	RADIAL BALL BEARING 6205T	2	

●Please check the color & stripe information according to the color index !

左曲軸箱蓋 L. CRANK CASE COVER

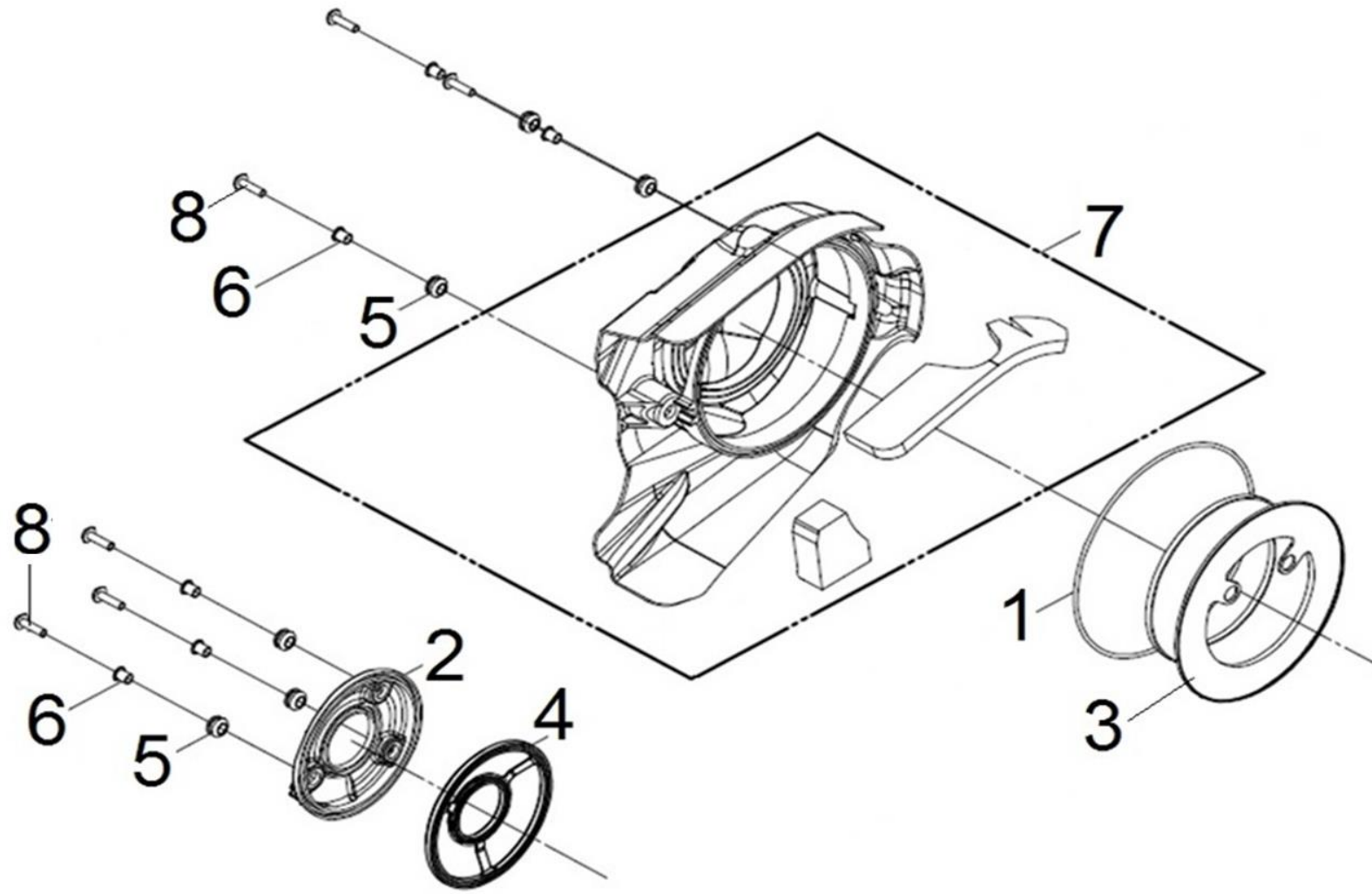


圖面僅供參考
Pictures reference only

NO	PARTS NUMBER	DESCRIPTION	QTY	REMARK
1	1134S-TL1-000	L. CRANK CASE COVER ASSY	1	
2	11343-TL1-000	L. CRANK CASE COVER CAP	1	
5	11383-TL1-000	L. OUTER COVER STAY	1	
6	11395-TL1-000	L. CRANK CASE COVER GASKET	1	
7	11396-TL1-000	OIL TANK COVER GASKET	1	
8	11400-TL1-000	OIL TANK COVER COMP.	1	
9	15421-M8Q-0000	OIL FILTER SCREEN	1	
10	15652-B9A-000	OIL LEVEL GAUGE	1	
11	1565A-TL1-000	OIL FILLER CAP ASSY.	1	
12	28100-TL1-000	STARTER REDUCTION GEAR COMP	1	
13	28102-BAA-000	START REDUCTION GEAR SHAFT	1	
14	45457-TL1-000	CABLE CLAMP SUPPORT	1	
15	5025A-TL1-000	SIDE STAND STOPPER ASSY.	1	
16	9008A-H9A-000	ACG. CAP ASSY. 14MM	1	
18	91005-TL1-000	RADIAL BALL BEARING 6906ZCM	1	
19	91202-TL1-000	OIL SEAL TC 30*42*7	1	
20	91303-M2Q-000	O RING 13.8*2.5mm	1	
21	91305-L6C-000	O-RING 55*2.0	1	
22	91307-M8Q-000	O-RING 18*3	1	
23	94301-08140	DOWEL PIN 8*14	2	
24	96001-06016-00	SH. FLANGE BOLT 6*16	3	
25	96001-06035-00	FLANGE SH BOLT 6*35	25	
26	96001-06040-00	FLANGE BOLT SH 6*40	2	
27	96140-63013-00	RADIAL BALL BEARING 6301U	1	

●Please check the color & stripe information according to the color index !

右外箱蓋 R. OUTER COVER

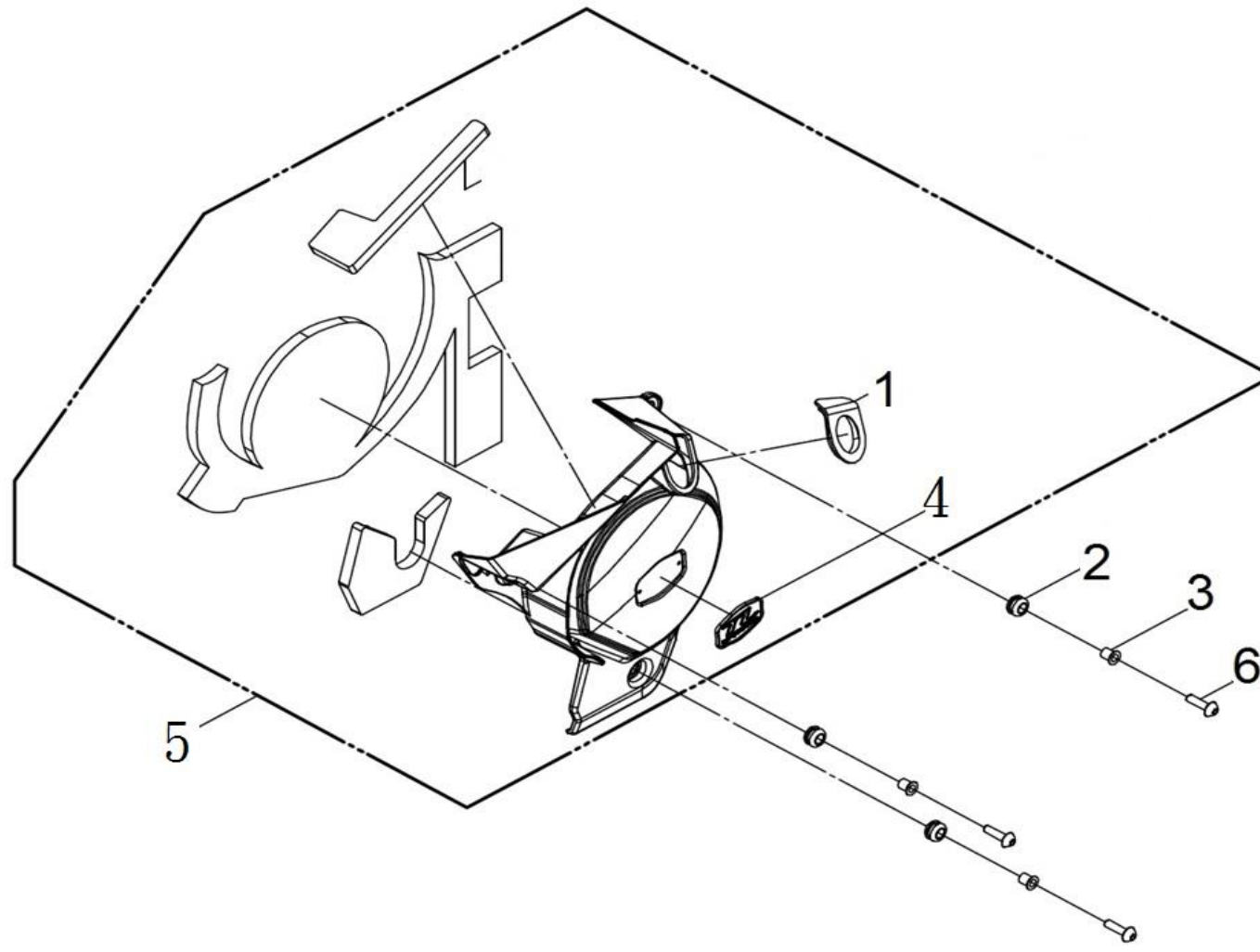


圖面僅供參考
Pictures reference only

NO	PARTS NUMBER	DESCRIPTION	QTY	REMARK
1	11333-TL1-000	R. OUTER COVER SEAL	1	
2	11334-TL1-000	R. COVER FR. CAP	1	
3	11335-TL1-000	R. COVER ELEMENT COMP.	1	
4	11336-TL1-000	R. COVER FR. CAP DAMPER	1	
5	11354-H3A-000	MOUNT RUBBER	6	
6	11356-H3A-000	COLLAR	6	
7	1136A-TL1-010-IL	R. OUTER COVER ASSY. GY-7450U	1	
8	90117-TL1-000	SPECIAL BOLT M6*22	6	

●Please check the color & stripe information according to the color index !

左外箱蓋 L. OUTER COVER

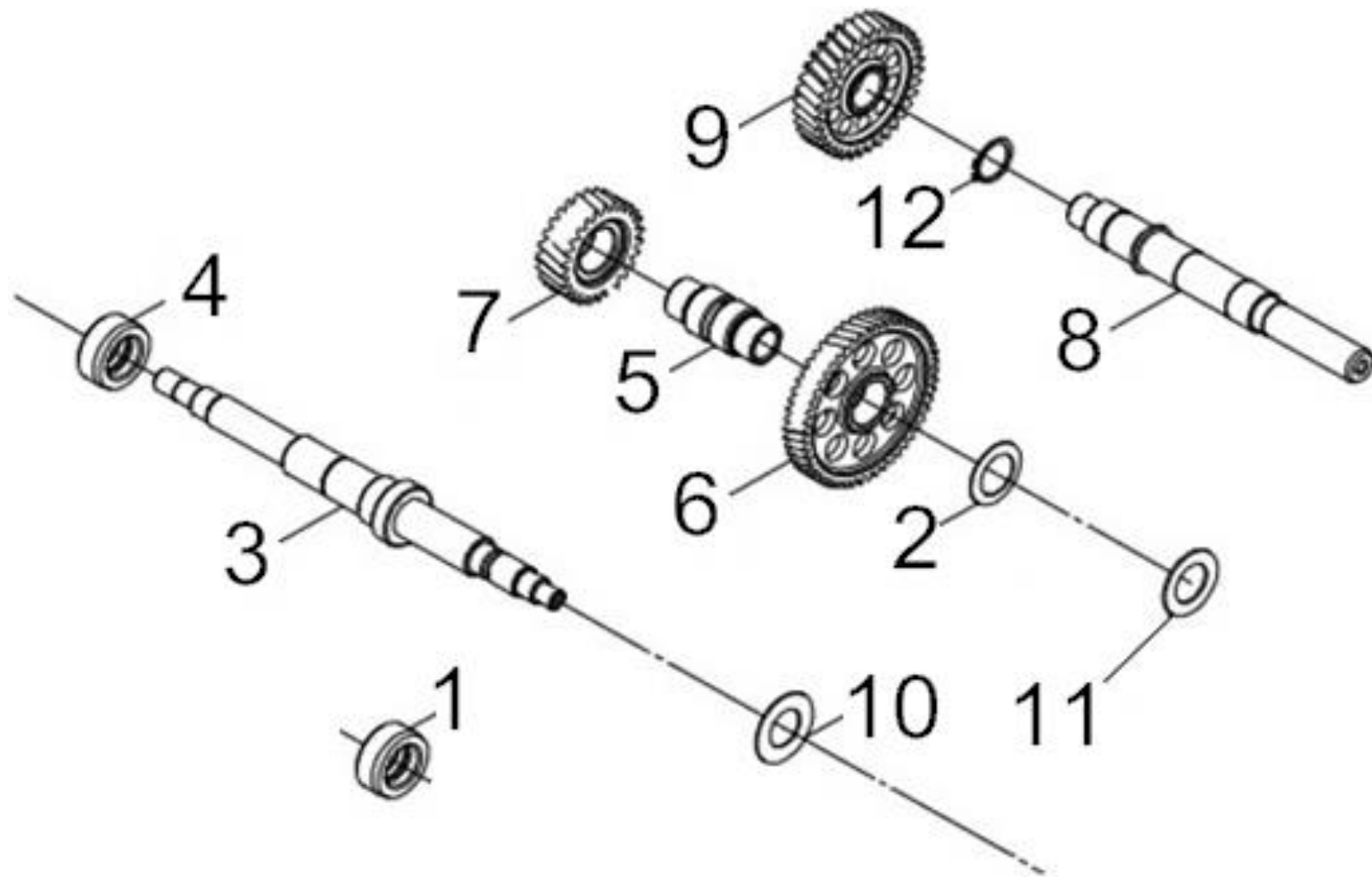


圖面僅供參考
Pictures reference only

NO	PARTS NUMBER	DESCRIPTION	QTY	REMARK
1	11353-TL1-000	L. OUTER COVER RUBBER	1	
2	11354-H3A-000	MOUNT RUBBER	3	
3	11356-H3A-000	COLLAR	3	
4	11356-TL1-000	L. OUTER COVER EMBLEM	1	
5	1135A-TL1-000-IL	L. OUTER COVER ASSY. GY-7450U	1	
6	90117-TL1-000	SPECIAL BOLT M6*22	3	

●Please check the color & stripe information according to the color index !

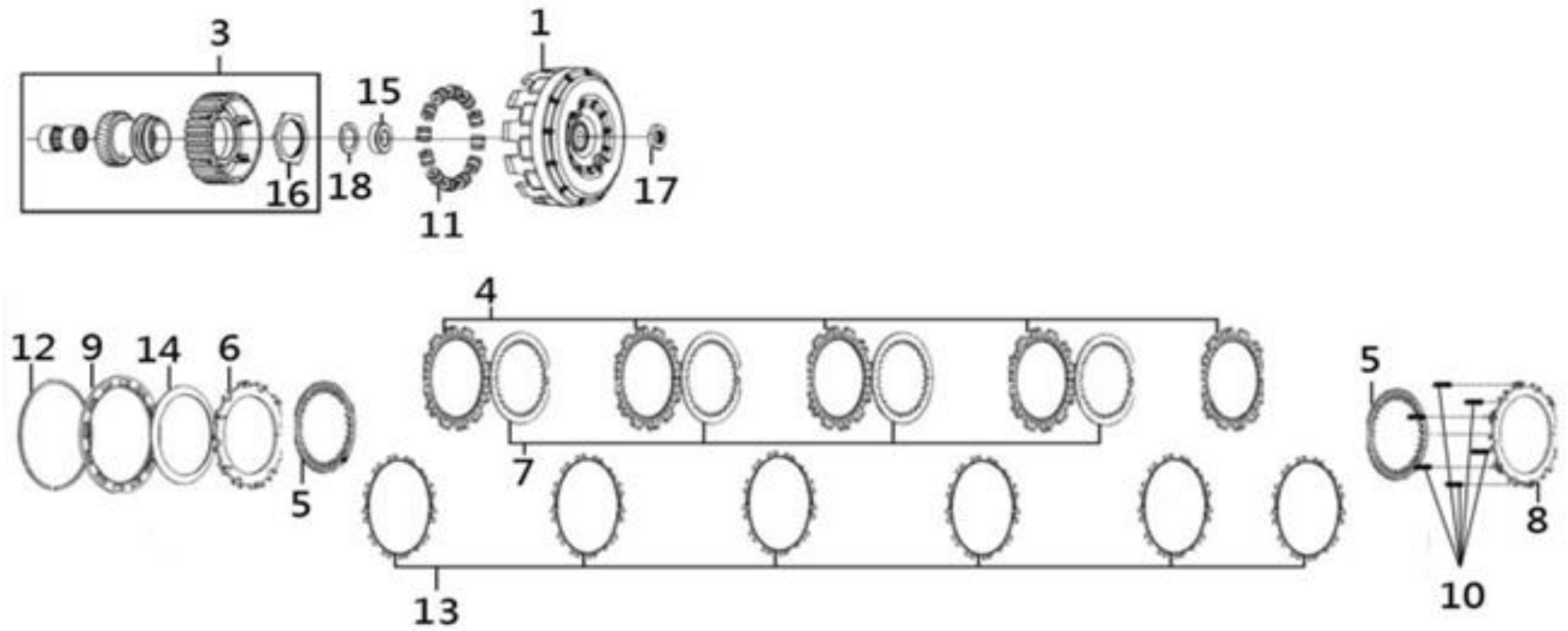
傳動系統 TRANSMISSION



圖面僅供參考
Pictures reference only

NO	PARTS NUMBER	DESCRIPTION	QTY	REMARK
1	1137A-HMA-000	BEARING STAY COLLAR ASSY	1	
2	13336-BHA-000	CONE WASHER	1	
3	23411-TL1-000	DRIVE SHAFT	1	
4	23412-TL1-000	DRIVE SHAFT SEAL COLLAR SET	1	
5	23421-TL1-000	COUNTER SHAFT	1	
6	23422-TL1-000	C-1 GEAR	1	
7	23423-TL1-000	C-2 GEAR	1	
8	23431-TL1-000	FINAL SHAFT	1	
9	23432-TL1-000	FINAL GEAR	1	
10	90401-TL1-000	THRUST WASHER 25.4*45*1.0	1	
11	90403-TL1-000	THRUST WASHER 25.1*42*1.6	1	
12	94510-25000	EX. CIRCLIP 25	1	

●Please check the color & stripe information according to the color index !

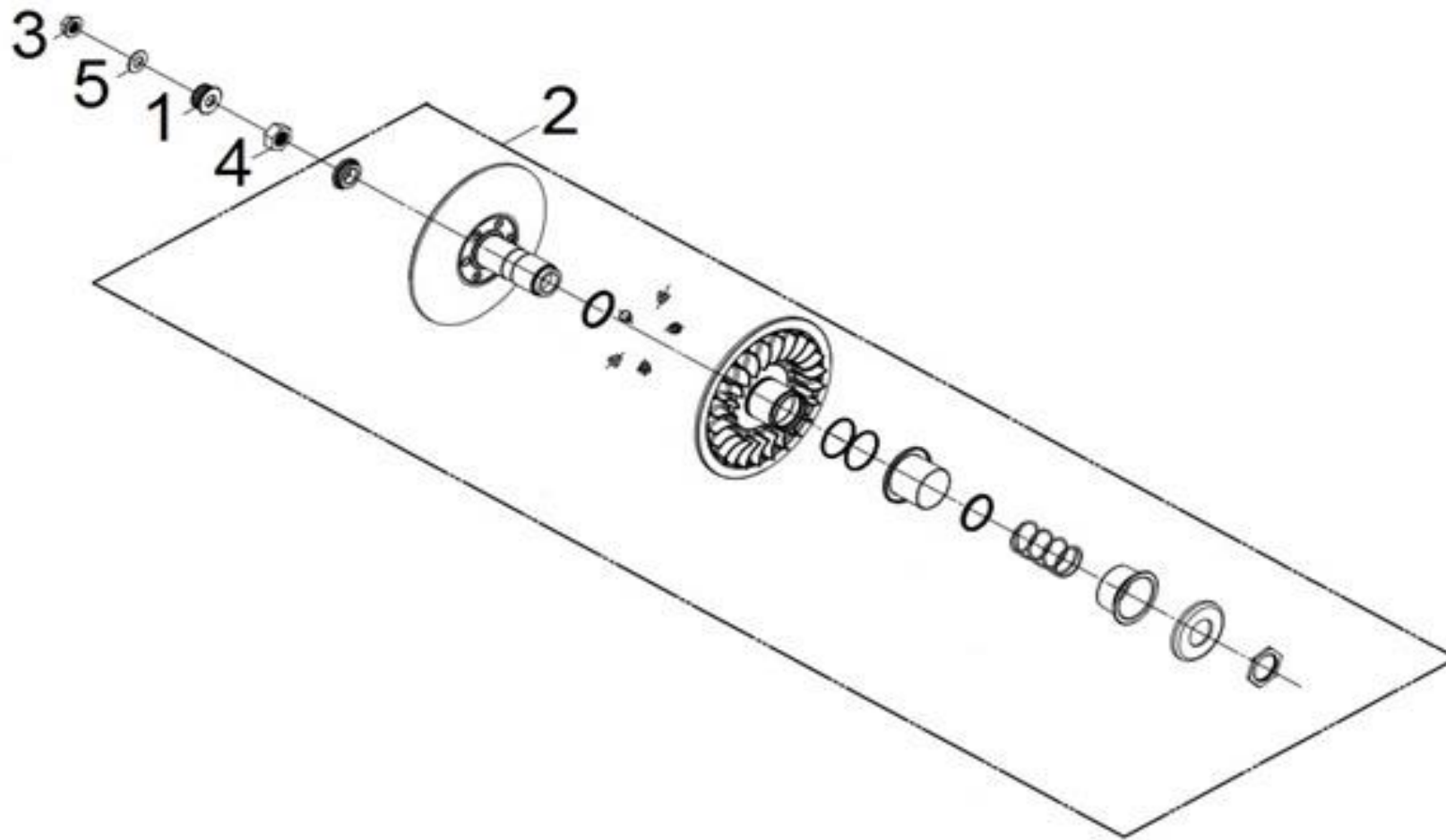


圖面僅供參考
Pictures reference only

NO	PARTS NUMBER	DESCRIPTION	QTY	REMARK
1	22101-TL1-010	CLUTCH OUTER	1	
3	22145-TL1-000	CLUTCH CENTER ASSY	1	
4	22201-TL1-000-A	CLUTCH FRICTION DISK A	1 SET	6pcs/ set
5	22202-TL1-000	CLUTCH FRICTION DISK B	2	
6	22310-TL1-000	PRESSURE PLATE A COMP.	1	
7	22311-TL1-000-A	CLUTCH PLATE	1 SET	5pcs/ set
8	22320-TL1-000	PRESSURE PLATE B COMP.	1	
9	22371-TL1-000	SPRING STOPPER PLATE	1	
10	22411-TL1-010	CLUTCH FREE SPRING	6	
11	22530-TL1-000-A	ROLLER WEIGHT COMP.(12PCS/1SET)	12	
12	22901-TL1-000	CLIP 164.5MM	1	
13	23118-TL1-000-A	CLUTCH DAMPER SPRING	1 SET	6pcs/ set
14	23119-TL1-000	CLUTCH SPRING PLATE	1	
15	23414-TL1-000	CLUTCH CENTER COLLAR	1	
16	90201-TL1-000	SPECIAL NUT M48	1	
17	90231-TL1-000	NUT M16	1	
18	90404-TL1-000	THRUST WASHER 24.7*37.8*2	1	

●Please check the color & stripe information according to the color index !

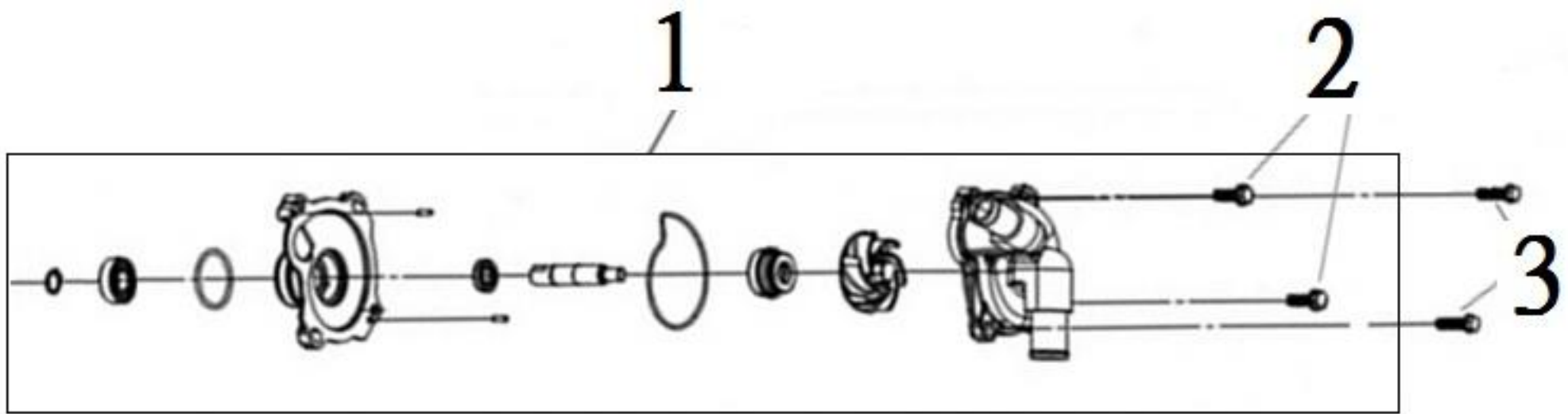
驅動盤 DRIVEN PULLEY ASSY.



圖面僅供參考
Pictures reference only

NO	PARTS NUMBER	DESCRIPTION	QTY	REMARK
1	1137A-HMA-000	BEARING STAY COLLAR ASSY.	1	
2	23010-TL1-000	DRIVEN PULLEY ASSY.	1	
3	90201-KR8-751-M1	FLANGE NUT 14MM	1	
4	90203-TL1-000	SPECIAL NUT M18	1	
5	90401-KJ9-000	THRUST WASHER 14*28*2	1	

●Please check the color & stripe information according to the color index !

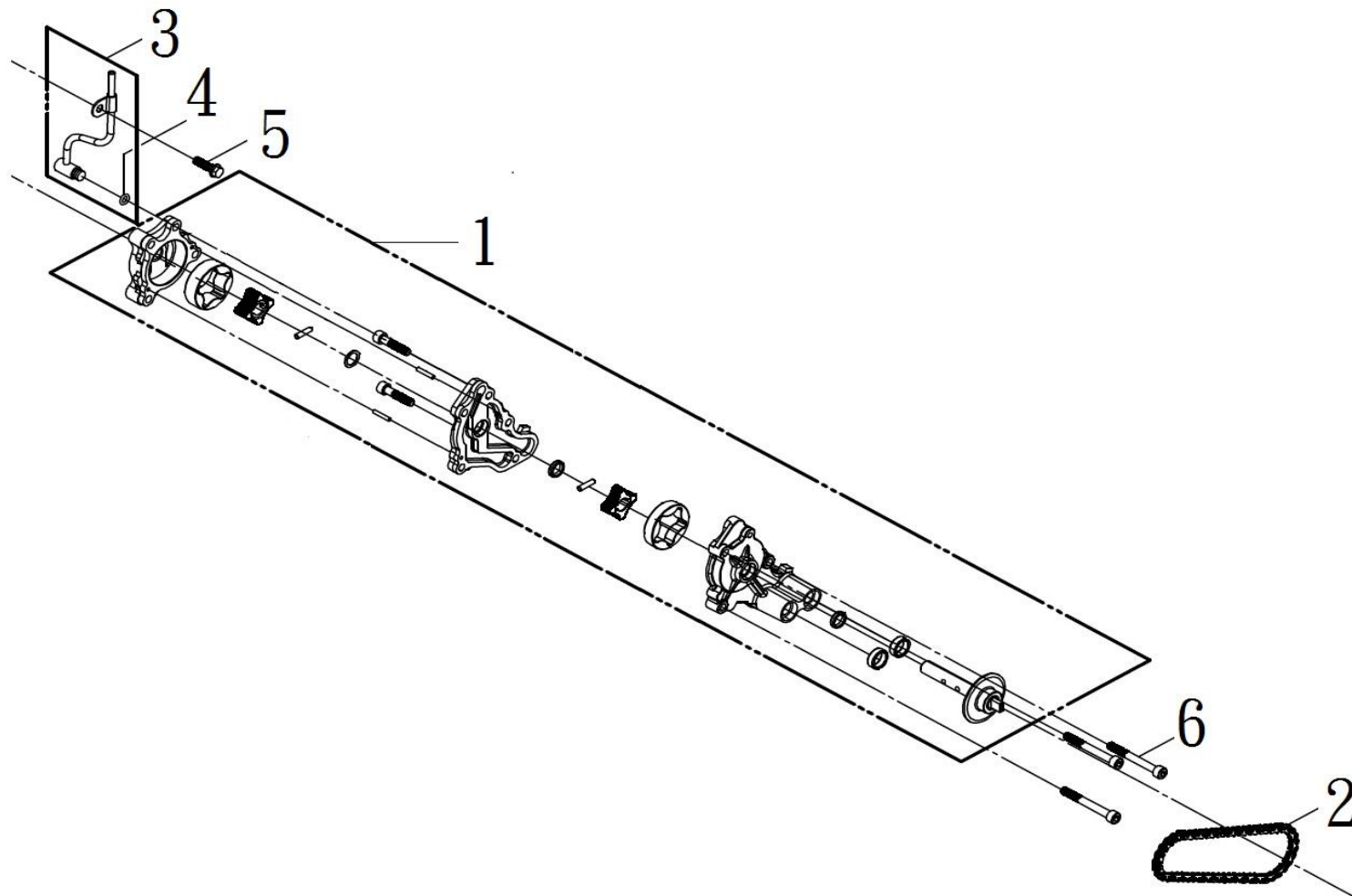


圖面僅供參考
Pictures reference only

NO	PARTS NUMBER	DESCRIPTION	QTY	REMARK
1	19210-TL1-000	WATER PUMP ASSY.	1	
2	93401-06025-07	WASHER BOLT 6*25	2	
2	95701-06028-00	FLANGE BOLT 6*28	2	

●Please check the color & stripe information according to the color index !

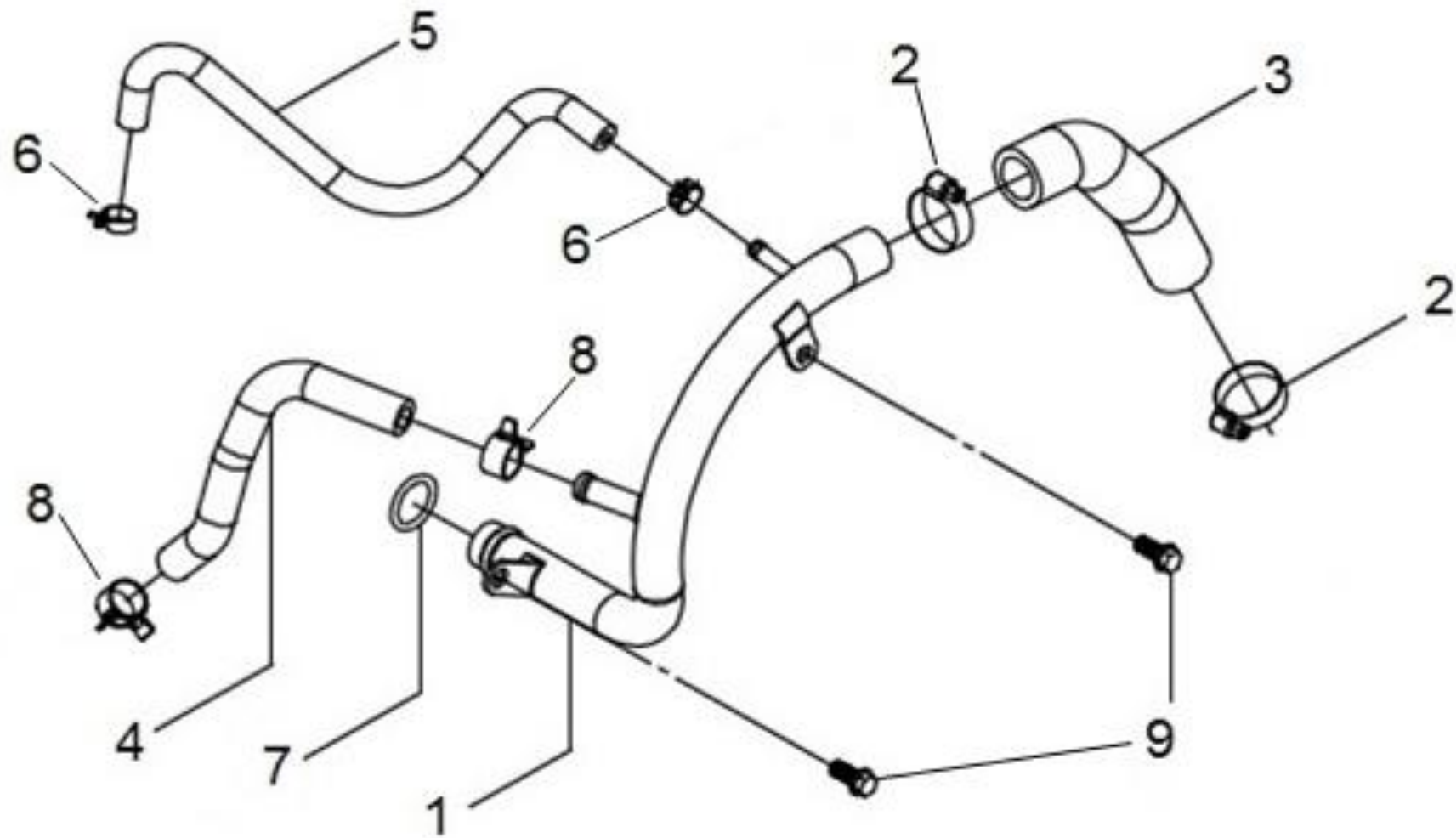
機油泵 OIL PUMP ASSY.



圖面僅供參考
Pictures reference only

NO	PARTS NUMBER	DESCRIPTION	QTY	REMARK
1	15100-TL1-000	OIL PUMP ASSY.	1	
2	15141-TL1-000	OIL PUMP CHAIN 58L	1	
3	1524A-TL1-000	OIL BREATHER PIPE ASSY.	1	
4	91308-TL1-000	O-RING 5.8*1.9	1	
5	96001-06012-00	FLANGE BOLT SH 6*12	1	
6	96700-06050-07	SOCKET BOLT 6*50	3	

●Please check the color & stripe information according to the color index !

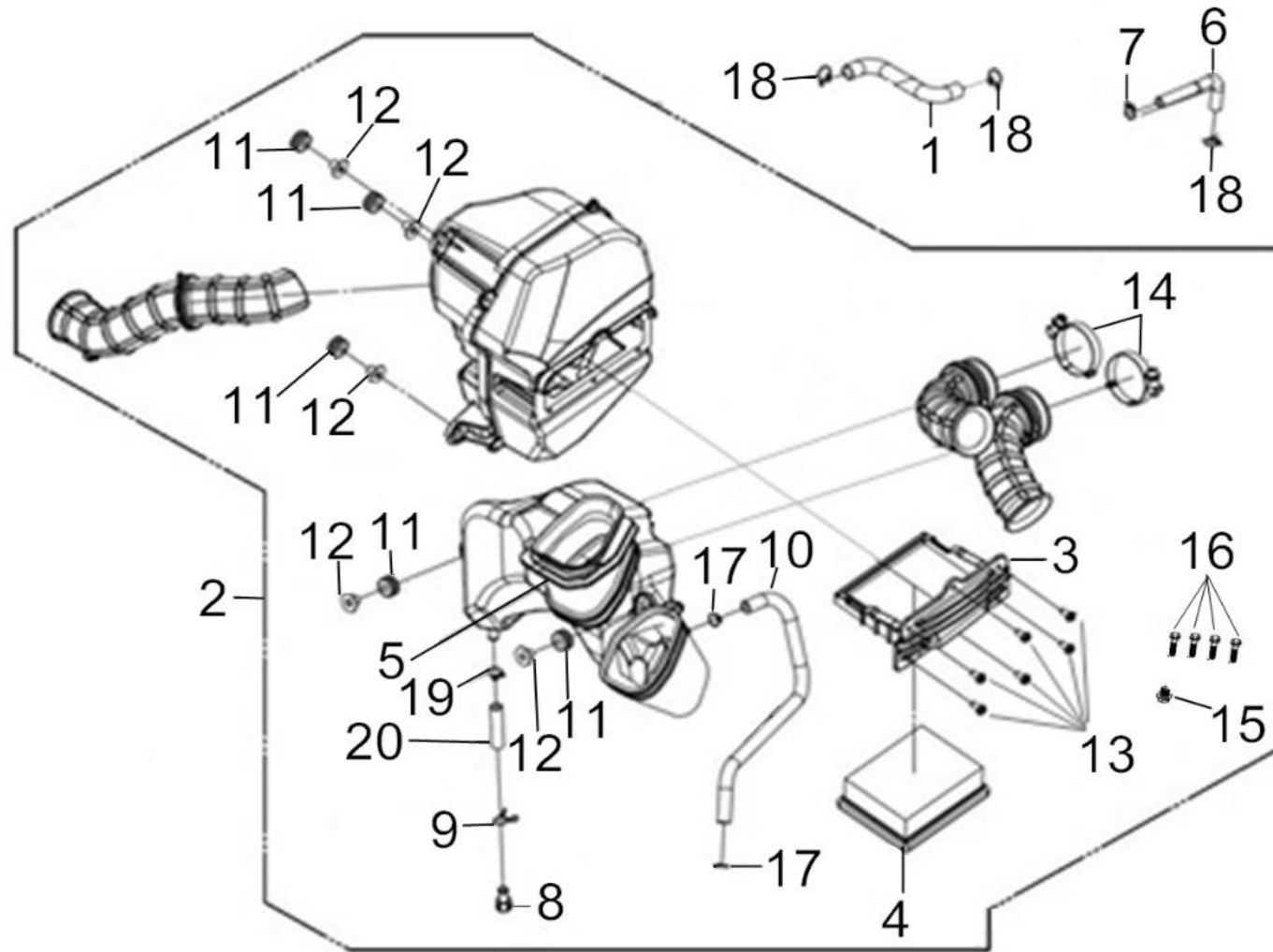


圖面僅供參考
Pictures reference only

NO	PARTS NUMBER	DESCRIPTION	QTY	REMARK
1	19501-TL1-000	WATER PIPE COMP.	1	
2	19505-REA-000	HOSE CLAMP	2	
3	19508-TL1-000	WATER HOSE A	1	
4	19509-TL1-000	WATER HOSE B	1	
5	19510-TL1-000	WATER HOSE C	1	
6	90682-V02-900	TUBE CLAMPER D11.5	2	
7	91309-TL1-000	O-RING 18.9*2.62	1	
8	91407-SA7-003	FUEL HOSE CLAMP 17.0	2	
9	96001-06012-00	FLANGE BOLT SH 6*12	2	

●Please check the color & stripe information according to the color index !

空氣濾清器 AIR/C ASSY.

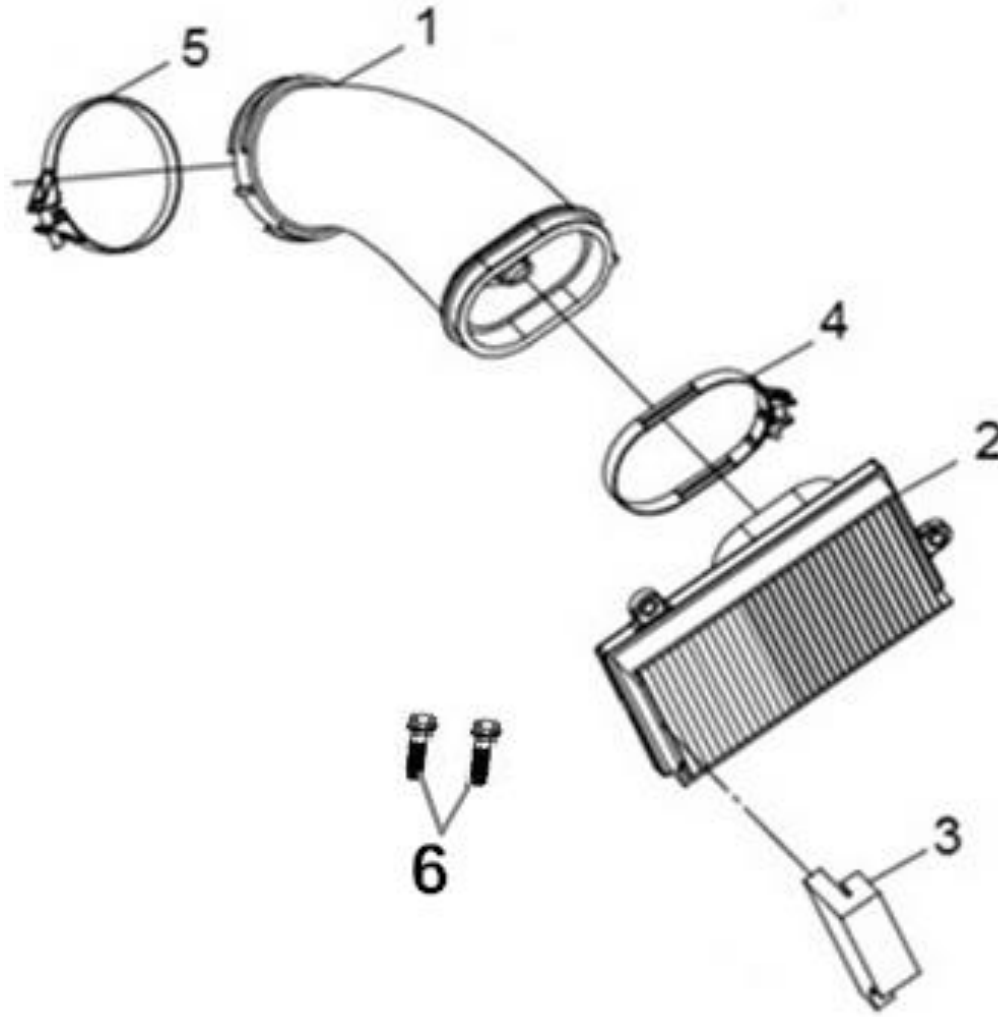


圖面僅供參考
Pictures reference only

NO	PARTS NUMBER	DESCRIPTION	QTY	REMARK
1	15761-TL1-000	BLOW-BY TUBE	1	
2	17200-TL1-010	AIR/C ASSY.	1	
3	17210-TL1-000	ELEMENT HOLDER COMP.	1	
4	17211-TL1-000	AIR/C ELEMENT COMP.	1	
5	17233-TL1-000	AIR BOX RUBBER	1	
6	17234-TL1-010	BREATHER TUBE	1	
7	95002-70000	TUBE CLIP C11	1	
8	17370-M9Q-000	BREATHER TUBE PLUG	1	
9	17371-A5W-000	BREATHER TUBE CLIP	1	
10	17688-TL1-000	CANISTER-AIR/C. TUBE	1	
11	64304-X01-000	FR COVER RUBBER	5	
12	64306-X01-900	FR COVER COLLAR	5	
13	90001-L4A-000	SPECIAL BOLT 5*19	6	
14	91011-TL1-000	AIR/C. CONN. TUBE BAND 52	2	
15	93401-06020-07	WASHER BOLT 6*20	1	
16	93401-06025-07	WASHER BOLT 6*25	4	
17	95002-02130	TUBE CLIP B 12.5	2	
18	95002-02150	B15 TUBE CLIP	3	
19	95002-80000	TUBE CLIP C12	1	
20	95003-23005-60	V TUBE 8*12*50	1	

●Please check the color & stripe information according to the color index !

CVT 進氣系統 CVT L. INLET SYSTEM ASSY.

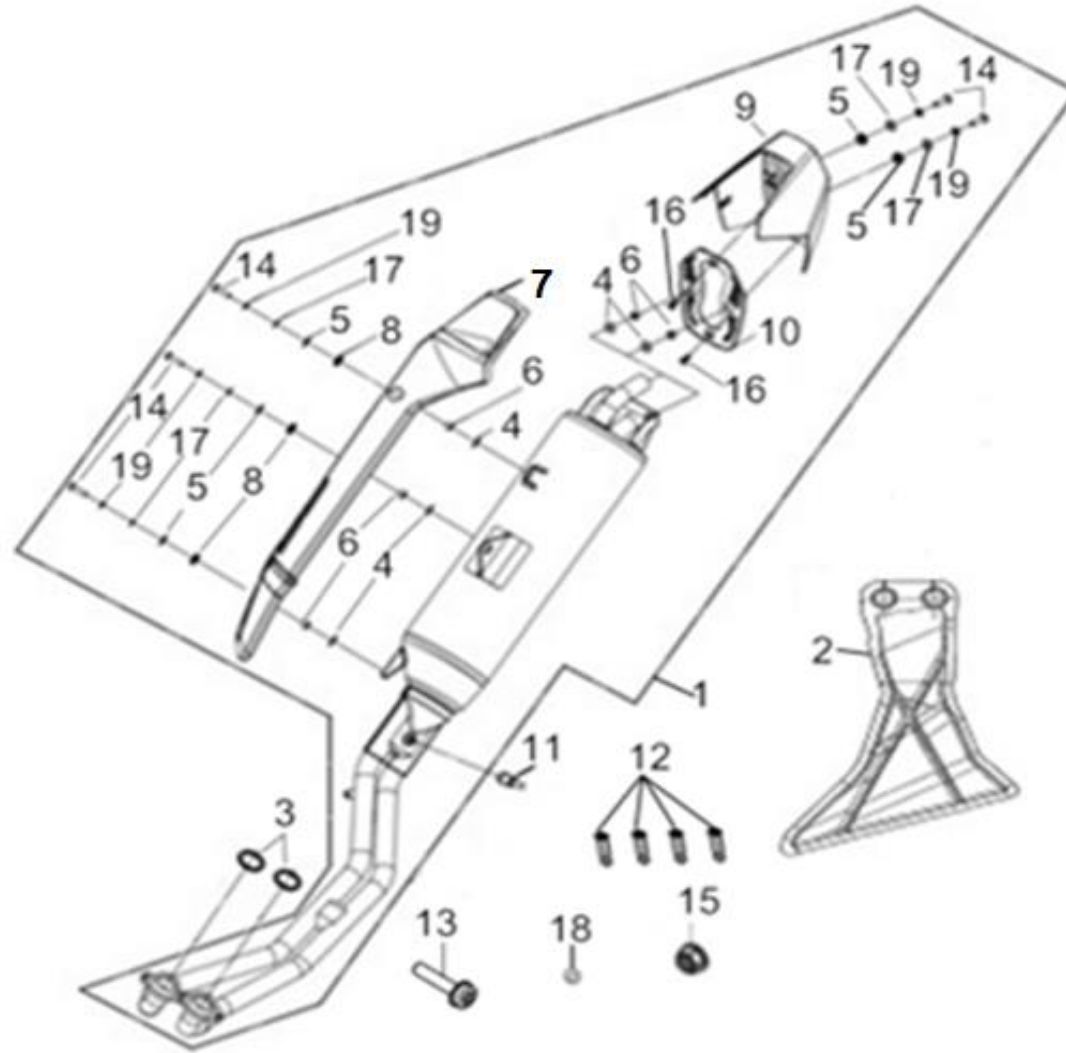


圖面僅供參考
Pictures reference only

NO	PARTS NUMBER	DESCRIPTION	QTY	REMARK
1	11105-TL1-000	CVT INLET DUCT	1	
2	11106-TL1-000	CVT ELEMENT	1	
3	11108-TL1-000	CVT ELEMENT SPONGE	1	
4	91012-TL1-000	CVT INLET DUCT BAND A	1	
5	91013-TL1-000	CVT INLET DUCT BAND B 75	1	
6	93401-06016-07	WASHER BOLT 6*16	2	

●Please check the color & stripe information according to the color index !

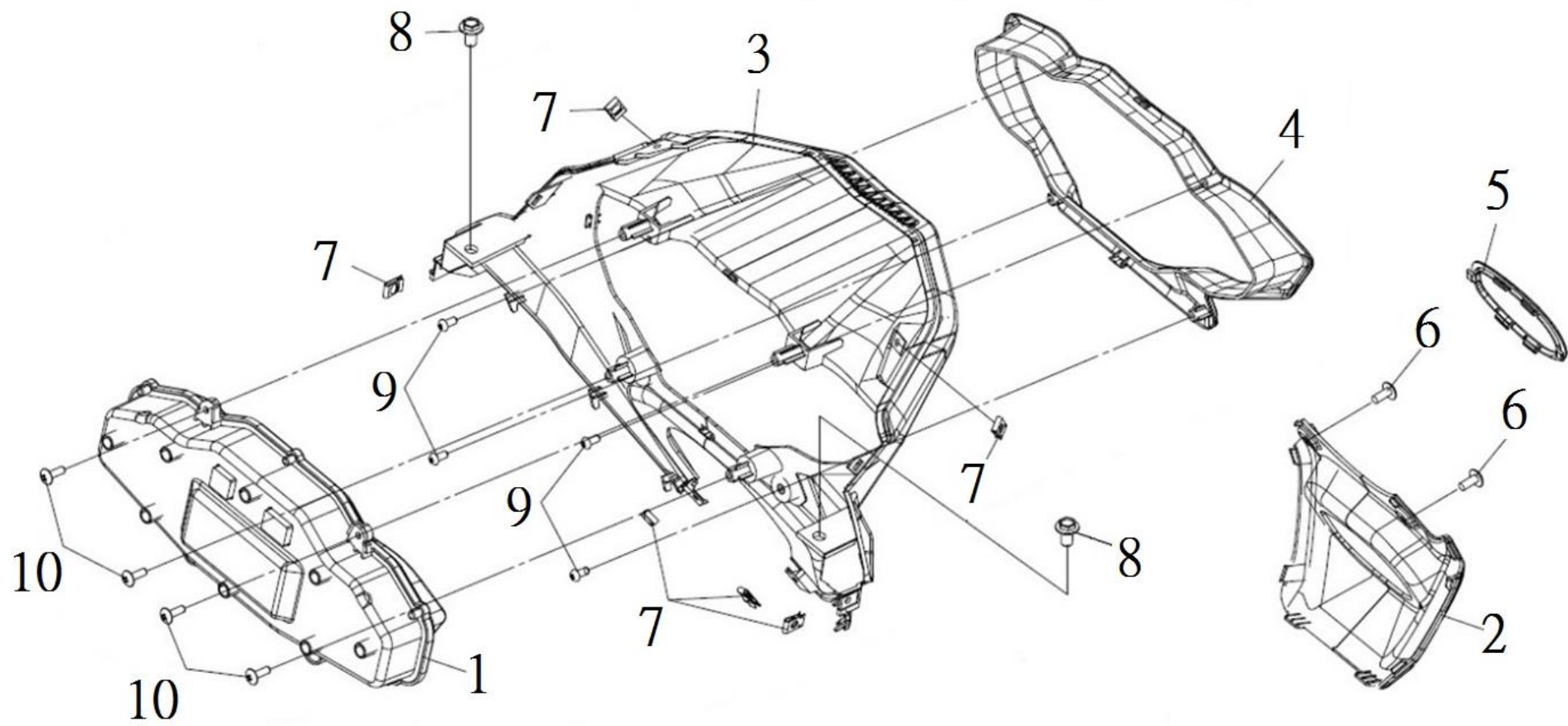
排氣管 EXH. MUFFLER ASSY. GY-7450U



圖面僅供參考
Pictures reference only

NO	PARTS NUMBER	DESCRIPTION	QTY	REMARK
1	18000-TL1-010-IL	EXH. MUFFLER ASSY.	1	
2	18241-TL1-000	EX. PIPE PROTECTOR	1	
3	18291-TL1-000	EXH. PIPE GASKET	2	
4	18292-F86-000	PROTECTOR PACKING A	5	
5	18293-F3E-000	PROTECTOR PACKING B	5	
6	18295-A1A-000	COLLAR M6	5	
7	18318-TL1-010	MUFFLER PROTECTOR	1	
8	18321-L1A-000	PROTECTOR RUBBER	5	
9	18328-TL1-000	MUFFLER REAR PROTECTOR GY-7450U	1	
10	18338-TL1-000	MUFFLER REAR PROTECTOR CAP	1	
11	37890-TL1-000	OXYGEN SENSOR COMP.	1	
12	90043-HMA-000	CAP NUT 8mm	4	
13	90112-B9A-000	SPECIAL BOLT M8*55	1	
14	90117-TL1-000	SPECIAL BOLT M6*22	5	
15	90309-M9Q-000	FLANGE NUT 8MM	1	
16	93903-24380	SCREW TAPPING 4*12	2	
17	94101-06700	PLAIN WASHER 6mm	5	
18	94103-08000	PLAIN WASHER 8mm	1	
19	94111-BD1-000	SPRING WASHER 6mm	5	

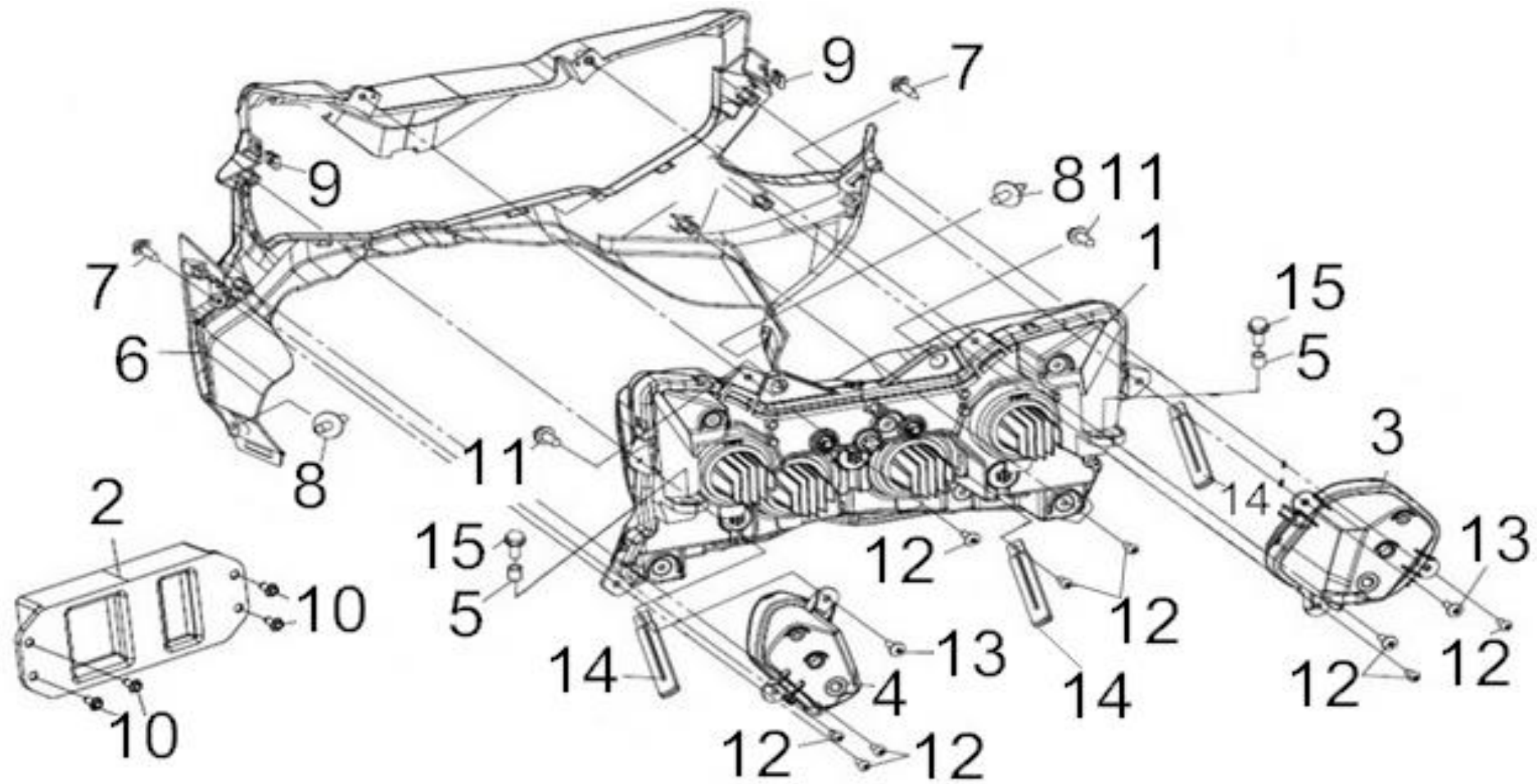
●Please check the color & stripe information according to the color index !



圖面僅供參考
Pictures reference only

NO	PARTS NUMBER	DESCRIPTION	QTY	REMARK
1	37200-TL1-000	SPEEDOMETER ASSY.	1	
2	53207-TL1-000-KA	MAIN SW COVER BK-001U	1	
3	53208-TL1-000-KA	METER PANEL BK-001U	1	
4	53209-TL1-000-IL	METER GARNISH GY-7450U	1	
5	81135-F91-000	MAIN SW. GARNISH	1	
6	90102-TL1-900	HEX. SOCKET TAPPING SCREW 4*14	2	
7	90302-V02-000	NUT SPRING 4mm	8	
8	93404-06012-07	WASHER BOLT 6*12	2	
9	93903-34380	TAPPING SCREW 4*12	4	
10	93903-35380	TAPPING SCREW 5*16	4	

●Please check the color & stripe information according to the color index !

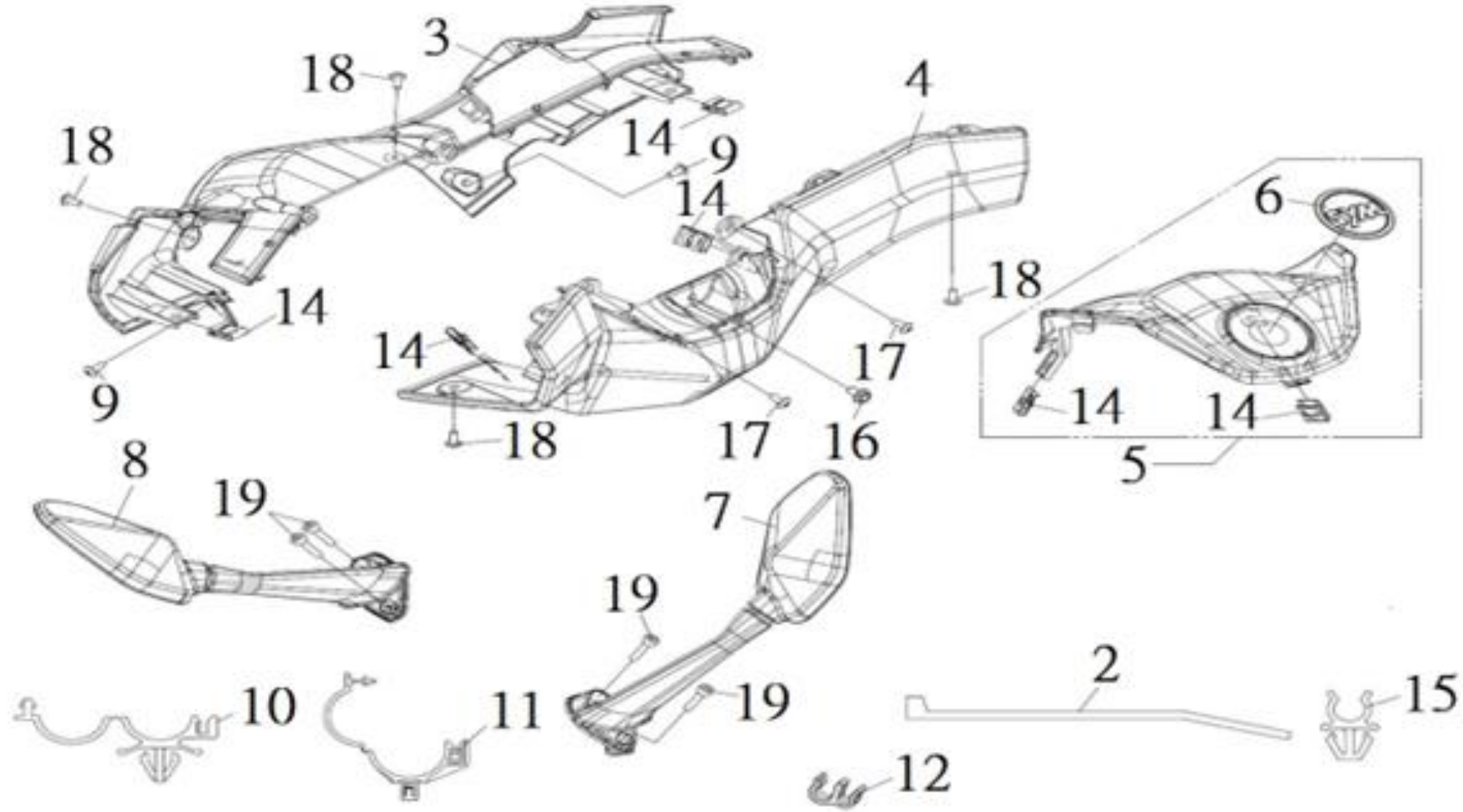


圖面僅供參考
Pictures reference only

NO	PARTS NUMBER	DESCRIPTION	QTY	REMARK
1	33100-TL1-000	HEAD LIGHT ASSY.	1	
2	33110-TL1-000	HI/LO BEAM DRIVER	1	
3	33400-TL1-000	R. FR. WINKER ASSY.	1	
4	33450-TL1-000	L. FR. WINKER ASSY.	1	
5	64306-X01-900	FR. COVER COLLAR	2	
6	64307-TL1-000-KA	HEAD LIGHT COVER	1	
7	90102-TL1-900	HEX. SOCKET TAPPING SCREW 4*14	2	
8	90115-REA-000	PLASTIC NUT 6mm	2	
9	90302-V02-000	SPRING NUT 4mm	2	
10	93401-05012-07	WASHER BOLT 5*12	4	
11	93404-06012-07	WASHER BOLT 6*12	2	
12	93903-35280	TAPPING SCREW 5*12	9	
13	93903-35320	TAPPING SCREW 5*16	2	
14	94591-25000	CLIP 2*50	3	
15	95801-06022-07	FLANGE BOLT 6*22	2	

●Please check the color & stripe information according to the color index !

把手蓋 / 後視鏡 FR. HANDLE COVER / BACK MIRROR



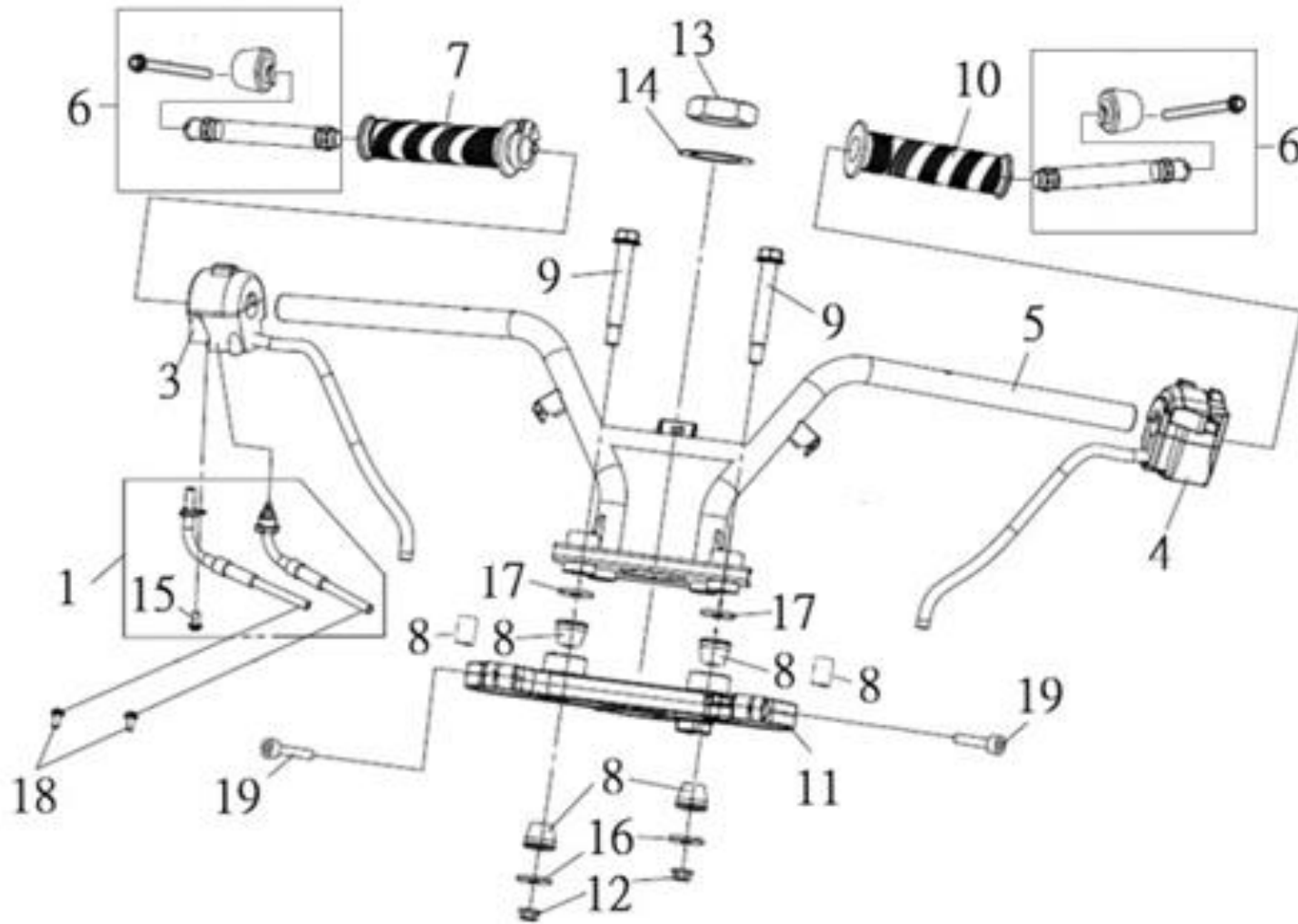
圖面僅供參考

Pictures reference only

NO	PARTS NUMBER	DESCRIPTION	QTY	REMARK
2	32161-T15-000	WIRE BAND 250	30	
3	53205-TL1-000-KA	FR. HANDLE COVER BK-001U	1	
4	53206-TL1-000-KA	RR. HANDLE COVER BK-001U	1	
5	5320A-TL1-000-IL	TOP HANDLE COVER ASSY. GY-7450U	1	
6	87552-F93-000-T1	SYM LOGO (40 PC)	1	
7	88110-TL1-000	R. BACK MIRROR ASSY.	1	
8	88120-TL1-000	L. BACK MIRROR ASSY.	1	
9	90102-TL1-900	HEX. SOCKET TAPPING SCREW 4*14	2	
10	90116-F91-000	CABLE CLIP	2	
11	90118-BD4-000	CABLE CLAMP	1	
12	90118-L4G-000	CLAMP TUBE	6	
14	90302-V02-000	SPRING NUT 4mm	6	
15	90611-FFE-000	PIPE CLAMP	3	
16	93401-05012-07	WASHER BOLT 5*12	1	
17	93903-34380	TAPPING SCREW 4*12	2	
18	93903-44380	TAPPING SCREW 4*12	4	
19	96700-06025-07	SOCKET BOLT 6*25	4	

●Please check the color & stripe information according to the color index !

方向把手 HANDLE STRG.

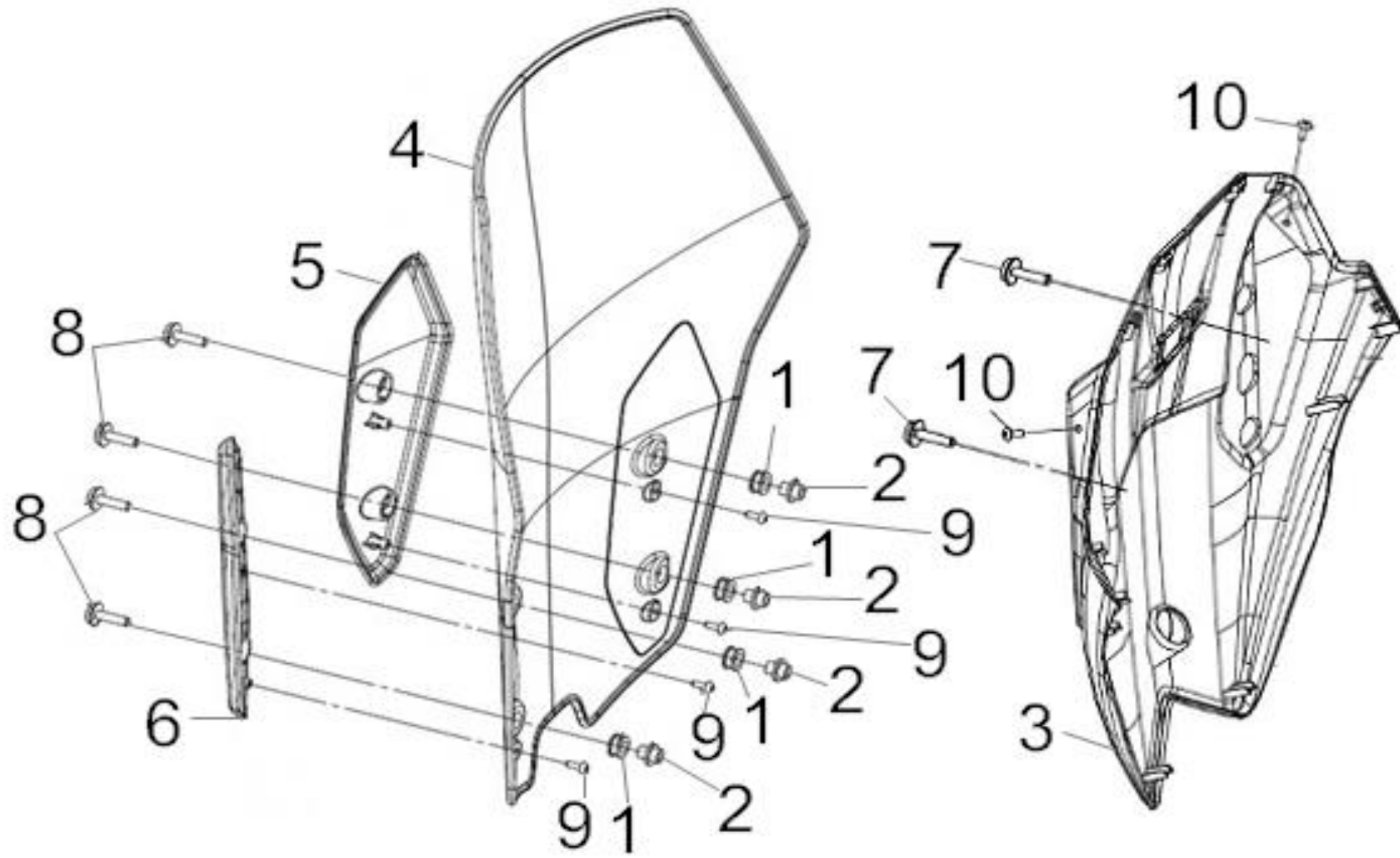


圖面僅供參考

Pictures reference only

NO	PARTS NUMBER	DESCRIPTION	QTY	REMARK
1	17910-TL1-000	THROT. CABLE COMP	1	
3	35150-L4A-000	R HANDLE SW. ASSY.	1	
4	35200-TL1-000	L HANDLE SW ASSY	1	
5	53100-TL1-000	STRG. HANDLE COMP	1	
6	53102-VB4-000-PH	HNDL. PIPE WT. ASSY	2	
7	53140-L4A-003	THROT GRIP COMP BK-001U	1	
8	53122-B3D-000	HOLDER RUBBER	4	use together with 53231-TL1-000 + 53123-TL1-000 + 90304-M9Q-800 + 94103-10800
8	50357-HMA-000	ENG. HANGER BUSH	2	use together with 5323A-TL1-000 + 95801-12100-07 + 90306-M9Q-900
9	53123-TL1-000	TOP BRIGE BOLT	2	use together with 53231-TL1-000 + 53122-B3D-000 + 90304-M9Q-800 + 94103-10800
9	95801-12100-07	TOP BRIGE BOLT	2	use together with 5323A-TL1-000 + 50357-HMA-000 + 90306-M9Q-900
10	53166-L4A-004	L HANDLE GRIP BK-001U	1	
11	53231-TL1-000	TOP BRIGE	1	use together with 53123-TL1-000 + 53122-B3D-000 + 90304-M9Q-800 + 94103-10800
11	5323A-TL1-000	TOP BRIGE	1	use together with 50357-HMA-000 + 95801-12100-07 + 90306-M9Q-900
12	90304-M9Q-800	FLANGE U NUT 10mm	2	use together with 53231-TL1-000 + 53123-TL1-000 + 53122-B3D-000 + 94103-10800
12	90306-M9Q-900	SELF LOCK NUT 12MM	2	use together with 5323A-TL1-000 + 50357-HMA-000 + 95801-12100-07
13	90305-TL1-000	STRG. STEM NUT	1	
14	90503-TL1-000	STEERING STEM NUT WASHER	1	
15	93891-05012-07	WASHER SCREW 5X12	1	
16	94103-10800	PLAIN WASHER	2	use together with 53231-TL1-000 + 53123-TL1-000 + 53122-B3D-000 + 90304-M9Q-800
17	94103-12700	PLAIN WASHER 12MM	2	
18	96700-05008-07	SOCKET BOLT 5*8	2	
19	96700-08025-00	SOCKET BOLT 8*25	2	

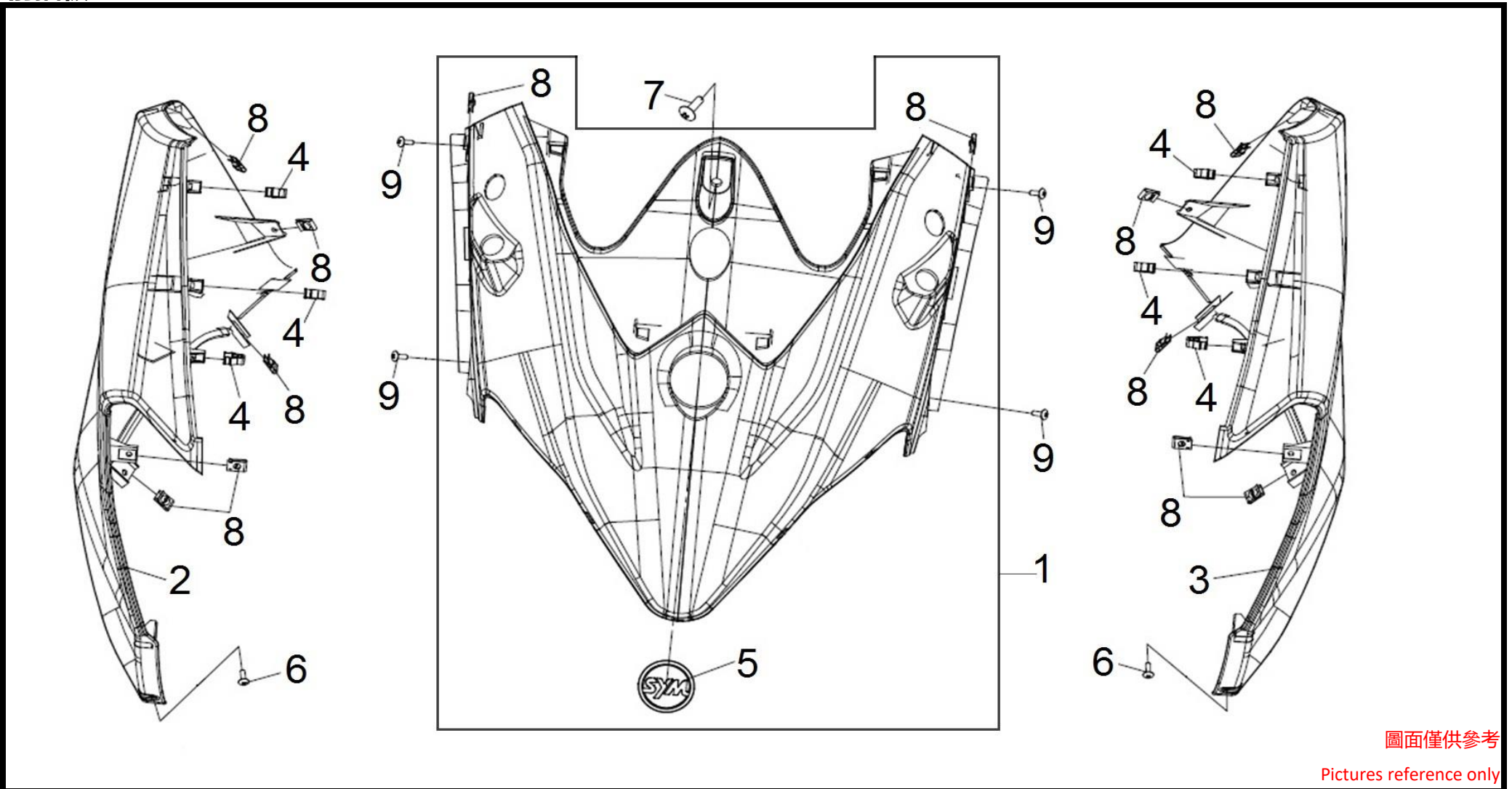
●Please check the color & stripe information according to the color index !



圖面僅供參考
Pictures reference only

NO	PARTS NUMBER	DESCRIPTION	QTY	REMARK
1	61104-APA-000-KD	FR. FENDER RUBBER	4	
2	61201-TL1-000	WIND SCREEN COLLAR	4	
3	64302-TL1-000	FR. COVER GARNISH	1	
4	67100-TL1-000	WIND SCREEN	1	
5	67110-TL1-000	R. WIND SCREEN GARNISH BK-001U	1	
6	67120-TL1-000	L. WIND SCREEN GARNISH BK-001U	1	
7	90112-N01-000	FLANGE BOLT 6mm	2	
8	90114-TL1-000	SPECIAL SCREW 6*25	4	
9	93903-34380	TAPPING SCREW 4*12	4	
10	93903-44380	TAPPING SCREW 4*12	2	

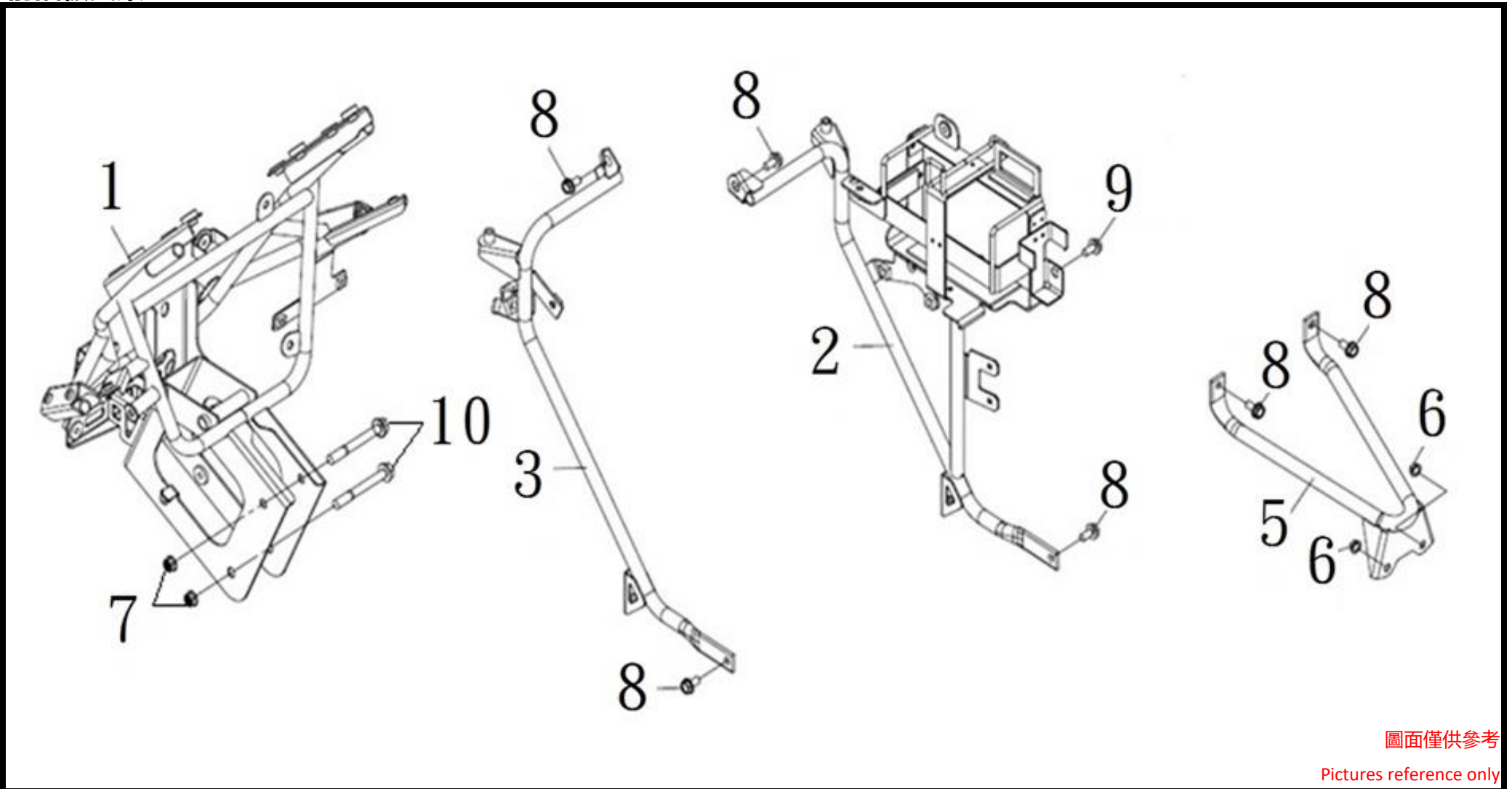
●Please check the color & stripe information according to the color index !



NO	PARTS NUMBER	DESCRIPTION	QTY	REMARK
1	6430A-TL1-000-KB	FR. COVER ASSY. BK-001C	1	KB - Black
2	64303-TL1-002-GG	R FR COVER GY-008C	1	GG - Gray
2	64303-TL1-002-JH	R FR COVER BK-001UL	1	JH - Matte Black
2	64303-TL1-002-UH	R FR COVER BU-2747U	1	UH - Matte Blue
3	64304-TL1-002-GG	L FR COVER GY-008C	1	GG - Gray
3	64304-TL1-002-JH	L FR COVER BK-001UL	1	JH - Matte Black
3	64304-TL1-002-UH	L FR COVER BU-2747U	1	UH - Matte Blue
4	77405-L4A-000	CLIP	6	
5	87552-TL1-000-T1	SYM LOGO(50 PC)	1	
6	90102-TL1-900	HEX. SOCKET TAPPING SCREW 4*14	2	
7	90117-H9A-000	SCREW WASHER 5*14	1	
8	90302-V02-000	SPRING NUT 4mm	12	
9	93903-44380	TAPPING SCREW 4*12	4	

●Please check the color & stripe information according to the color index !

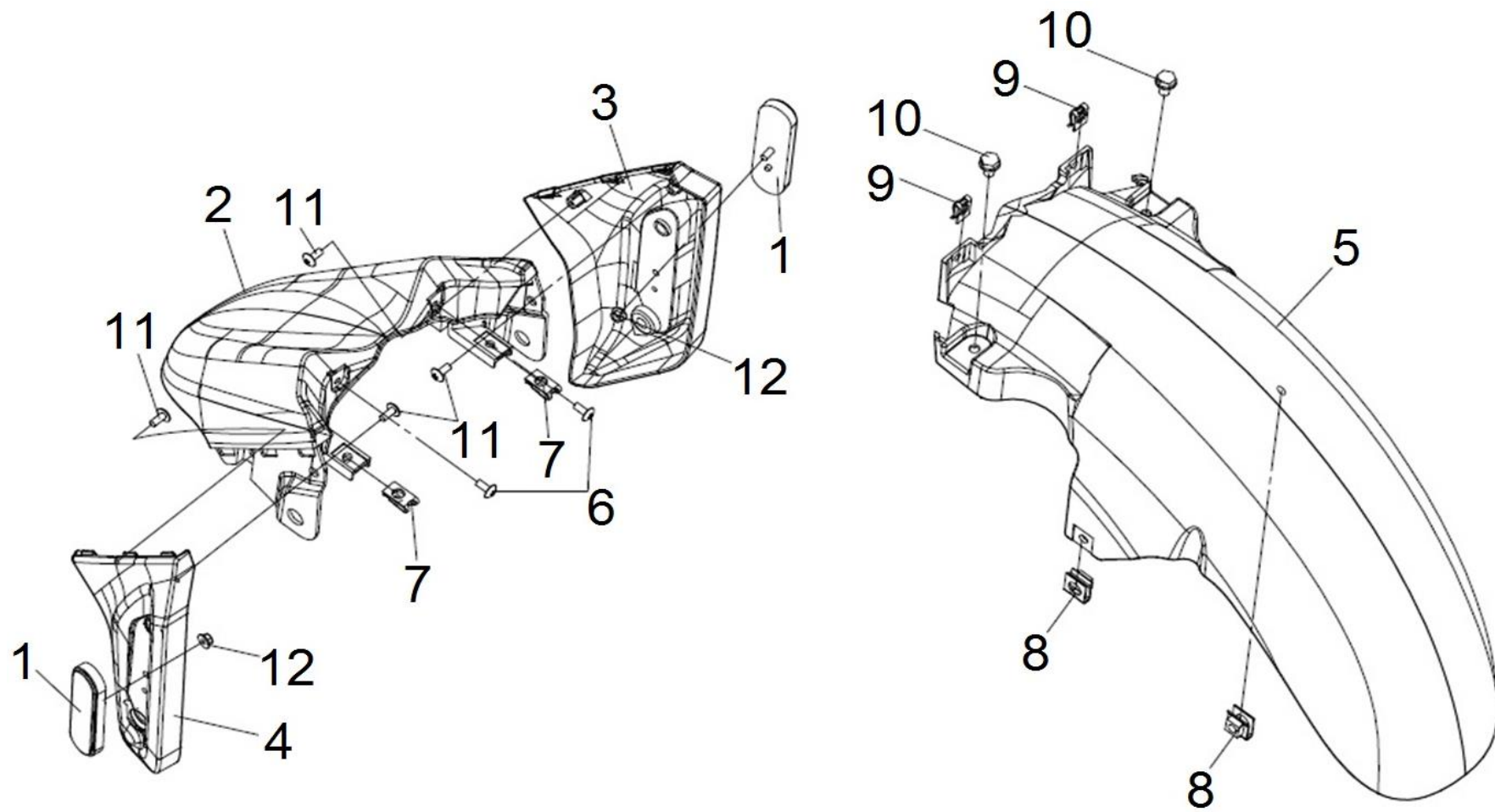
前擋板支架 FR. COVER BRKT.



圖面僅供參考
Pictures reference only

NO	PARTS NUMBER	DESCRIPTION	QTY	REMARK
1	50315-TL1-000	FR COVER BRKT COMP	1	
2	50316-TL1-000	R FR COVER BRKT COMP	1	
3	50317-TL1-000	L FR COVER BRKT COMP	1	
5	52500-TL1-000	RR FENDER BRKT. COMP	1	
6	94050-06070	FLANGE NUT 6mm	2	
7	94050-08080	FLANGE NUT 8MM	2	
8	95801-06012-07	FLANGE BOLT 6*12	6	
9	95801-08012-07	FLANGE BOLT 8*12	1	
10	95801-08065-08	FLANGE BOLT 8*65	2	

●Please check the color & stripe information according to the color index !



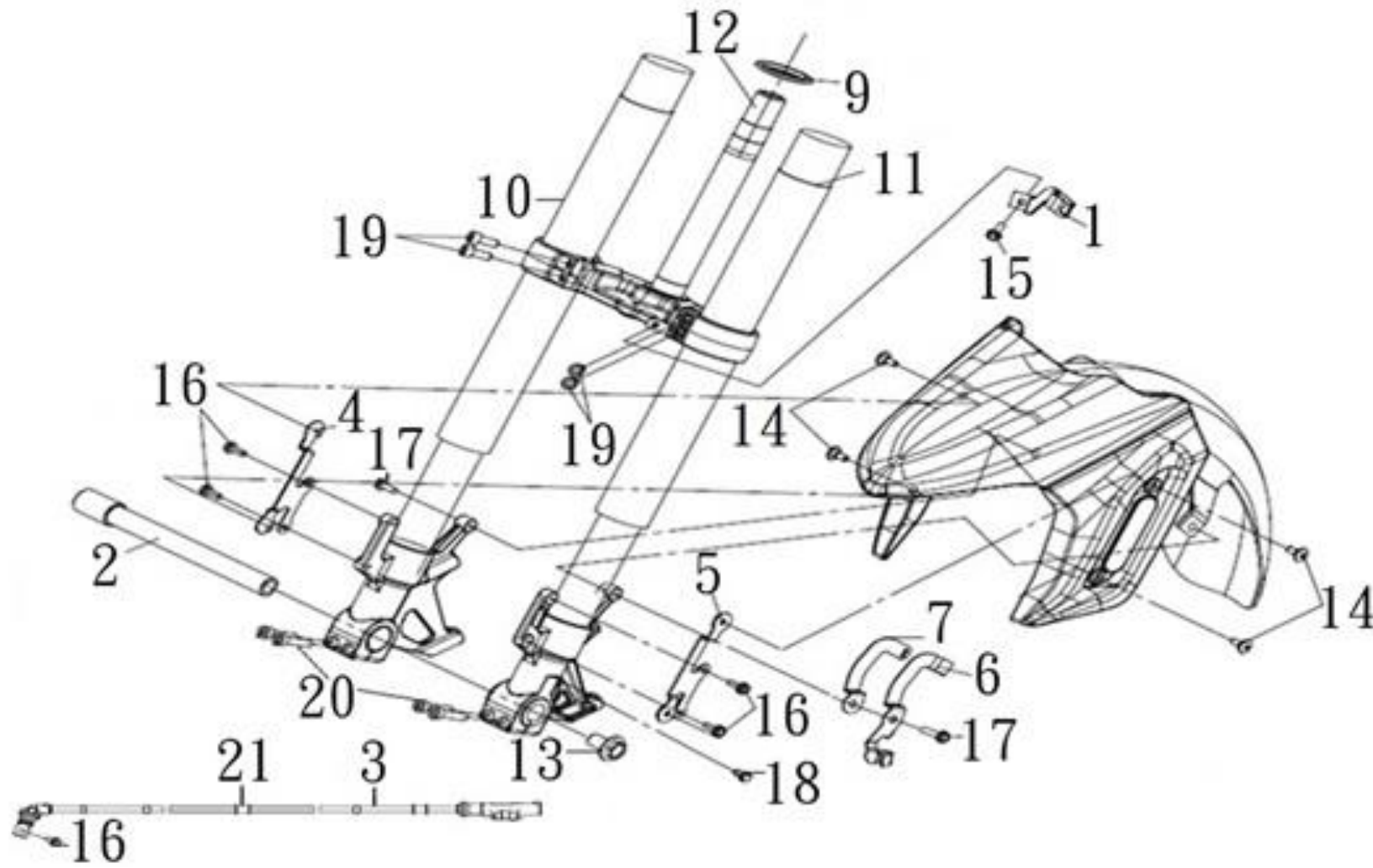
圖面僅供參考

Pictures reference only

NO	PARTS NUMBER	DESCRIPTION	QTY	REMARK
1	33742-REC-000	SIDE REFLEX REFLECTOR	2	
2	61100-TL1-000-GG	FR FENDER GY-008C	1	GG - Gray
2	61100-TL1-000-JH	FR FENDER BK-001UL	1	JH - Matte Black
2	61100-TL1-000-UH	FR FENDER BU-2747U	1	UH - Matte Blue
3	61110-TL1-000-KA	R FR FENDER BK-001U	1	
4	61120-TL1-000-KA	L FR FENDER BK-001U	1	
5	61130-TL1-000-KA	FR INNER FENDER BK-001U	1	
6	90117-H9A-000	SCREW WASHER 5*14	2	
7	90301-RCA-000	CLIP NUT 6mm	2	
8	90305-VS1-000	CLIP NUT 6mm	2	
9	90677-M9Q-000	CLIP NUT M5*0.8	2	
10	93401-06014-07	WASHER BOLT 6*14	2	
11	93903-35280	TAPPING SCREW 5*12	4	
12	94050-05080	FLANGE NUT 5mm	2	

●Please check the color & stripe information according to the color index !

轉向主幹 / 前避震器 STRG. STEM COMP. / FR. CUSHION

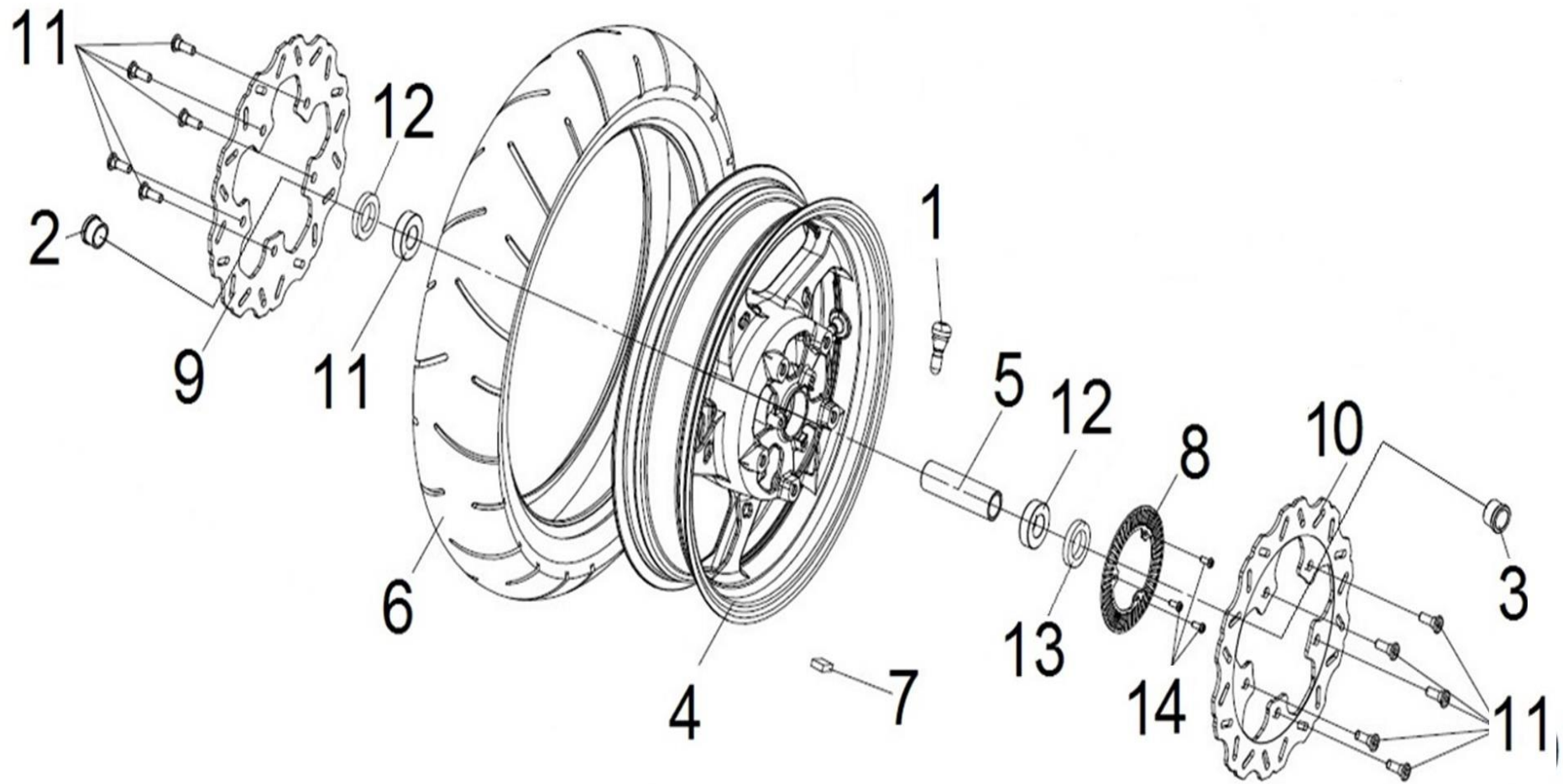


圖面僅供參考
Pictures reference only

NO	PARTS NUMBER	DESCRIPTION	QTY	REMARK
1	43316-TL1-000	BRAKE HOSE CLAMP	1	
2	44301-TL1-000	FR. WHEEL AXLE	1	
3	44870-L4C-000-CN1	ABS. SPEED SENSOR	1	
4	45111-TL1-002	R. FR. FENDER STAY	1	
5	45112-TL1-002	L. FR. FENDER STAY	1	
6	45156-TL1-000	L. FR. BRAKE HOSE CLAMP A	1	
7	45158-TL1-000	L. FR. BRAKE HOSE CLAMP B	1	
9	50307-TL1-000	HEAD PIPE SEAL	1	
10	51400-TL1-000	R. FR. CUSHION ASSY (BK)	1	
10.1	91255-L4A-000	OIL SEAL	1	
10.2	51425-TL1-000	DUST SEAL	1	
11	51500-TL1-000	L. FR. CUSHION ASSY (BK)	1	
11.1	91255-L4A-000	OIL SEAL	1	
11.2	51425-TL1-000	DUST SEAL	1	
12	53200-TL1-000	STRG. STEM COMP.	1	
13	90105-TL1-000	FLANGE BOLT M14*25	1	
14	90164-M9Q-000	SCREW SPECIAL 6mm	4	
15	95801-06012-07	FLANGE BOLT 6*12	1	
16	95801-06014-07	FLANGE BOLT 6*14	4	
17	95801-06028-08	FLANGE BOLT 6*28	2	
18	96001-06012-07	SH. FLANGE BOLT 6*12	1	
19	96700-08025-00	SOCKET BOLT 8*25	4	
20	96700-08040-07	SOCKET BOLT 8*40	4	
21	44910-L4C-000	ABS. RUBBER BUSH	2	

●Please check the color & stripe information according to the color index !

前輪圈 FR. WHEEL ASSY



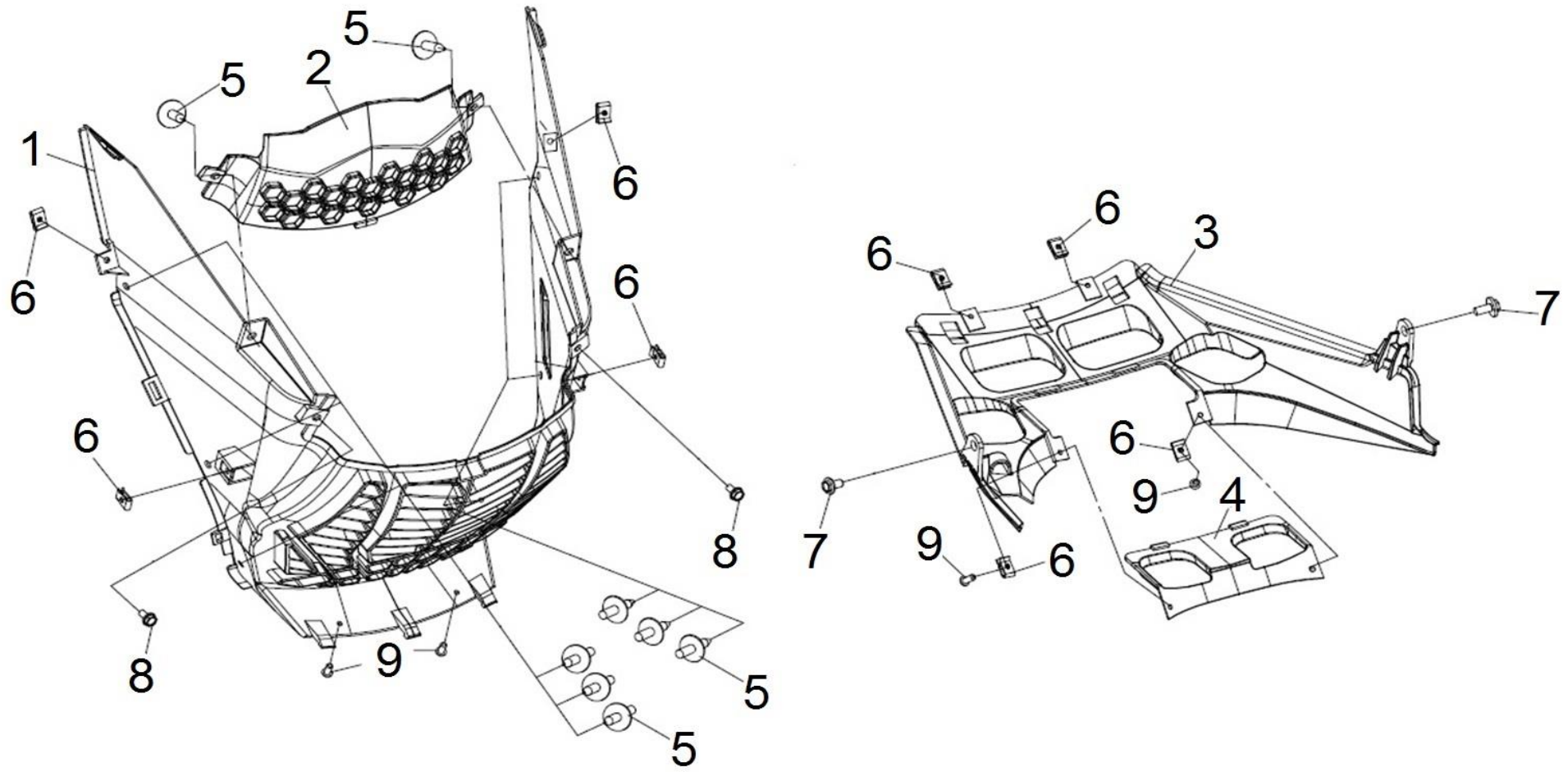
圖面僅供參考

Pictures reference only

NO	PARTS NUMBER	DESCRIPTION	QTY	REMARK
1	42753-KBN-902	RIM VALVE	1	
2	44313-TL1-000	FR. WHEEL SIDE COLLAR	1	
3	44314-TL1-000	L. FR. WHEEL SIDE COLLAR	1	
4	44601-TL1-000-JD	FR CASTING WHEEL COMP BK-7C	1	JD - Black
5	44620-TL1-000	FR. AXLE DIST. COLLAR	1	
6	AC-SB128-120/70-15	SWALLOW TIRE 120/70-15 (FRONT)	1	
7	44720-H9A-000	BALANCE WEIGHT	1	
8	45120-TL1-000	ABS DETECTIVE DISK	1	
9	45121-TL1-000	R FR. BRAKE DISK BK-001C	1	
10	45122-TL1-000	L. FR. BRAKE DISK BK-001C	1	
11	90105-KR3-000	FR. DISK BOLT 8*24	10	
12	90912-TL1-000	RADIAL BALL BEARING 60/22LLU	2	
13	91201-TL1-000	OIL SEAL 28*44*7	2	
14	93500-L4C-000	NYLOK PAN SCREW 5*12mm	3	

●Please check the color & stripe information according to the color index !

前保護蓋 FR.MAINTENANCE COVER ASSY

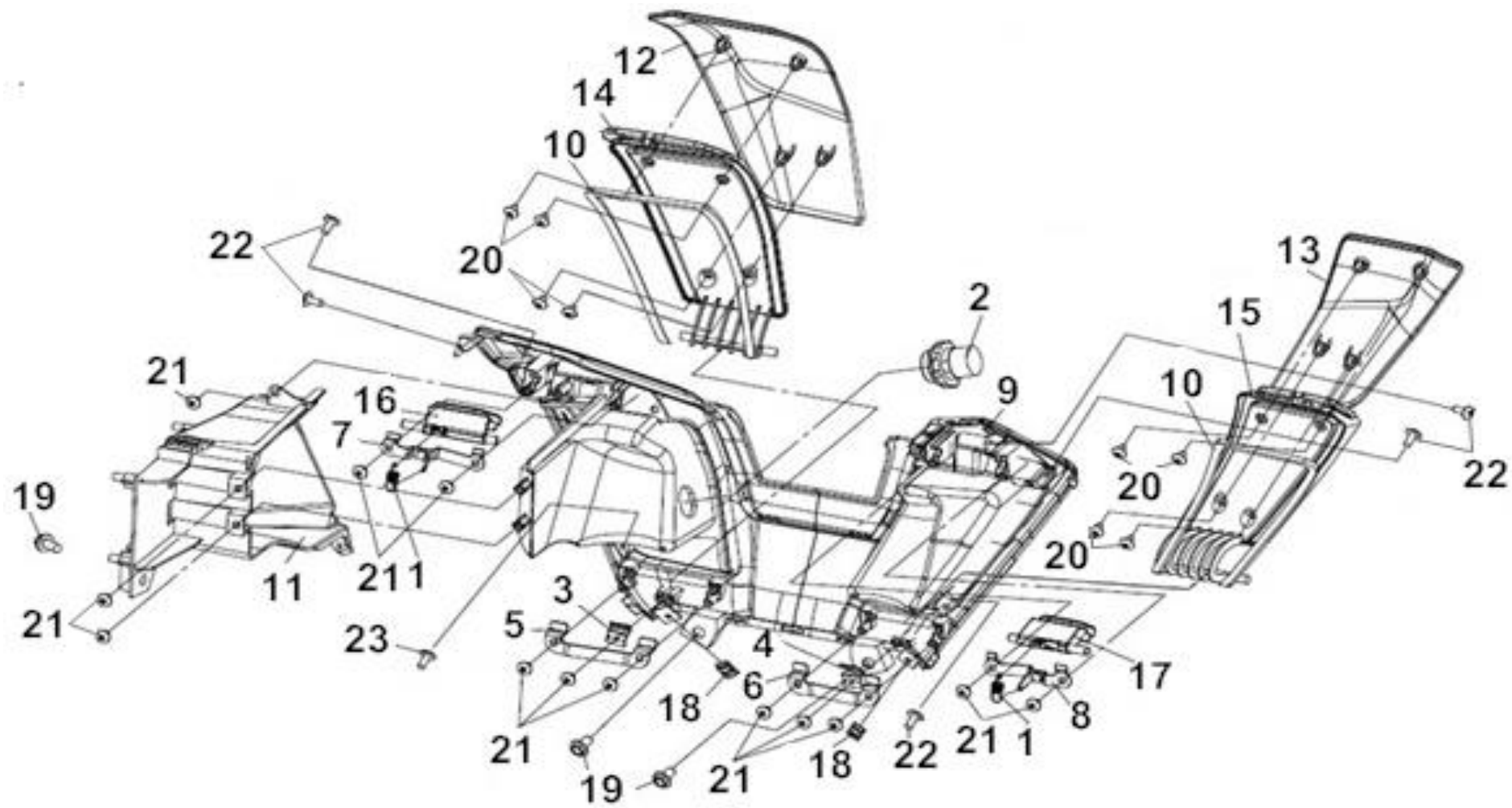


圖面僅供參考
Pictures reference only

NO	PARTS NUMBER	DESCRIPTION	QTY	REMARK
1	50611-TL1-000-KA	RADIATOR AIR DUCT BK-001U	1	
2	50612-TL1-000-KA	FR. MAINTENANCE COVER BK-001U	1	
3	50613-TL1-000-KA	UNDER COVER BK-001U	1	
4	50614-TL1-000-KA	LWR. UND. COVER BK-001U	1	
5	90115-REA-000	PLASTIC NUT 6mm	8	
6	90302-V02-000	SPRING NUT 4mm	8	
7	93401-06012-07	WASHER BOLT 6*12	2	
8	93404-06012-07	WASHER BOLT 6*12	2	
9	93903-44380	TAPPING SCREW 4*12	4	

●Please check the color & stripe information according to the color index !

前內箱 FR. INNER BOX



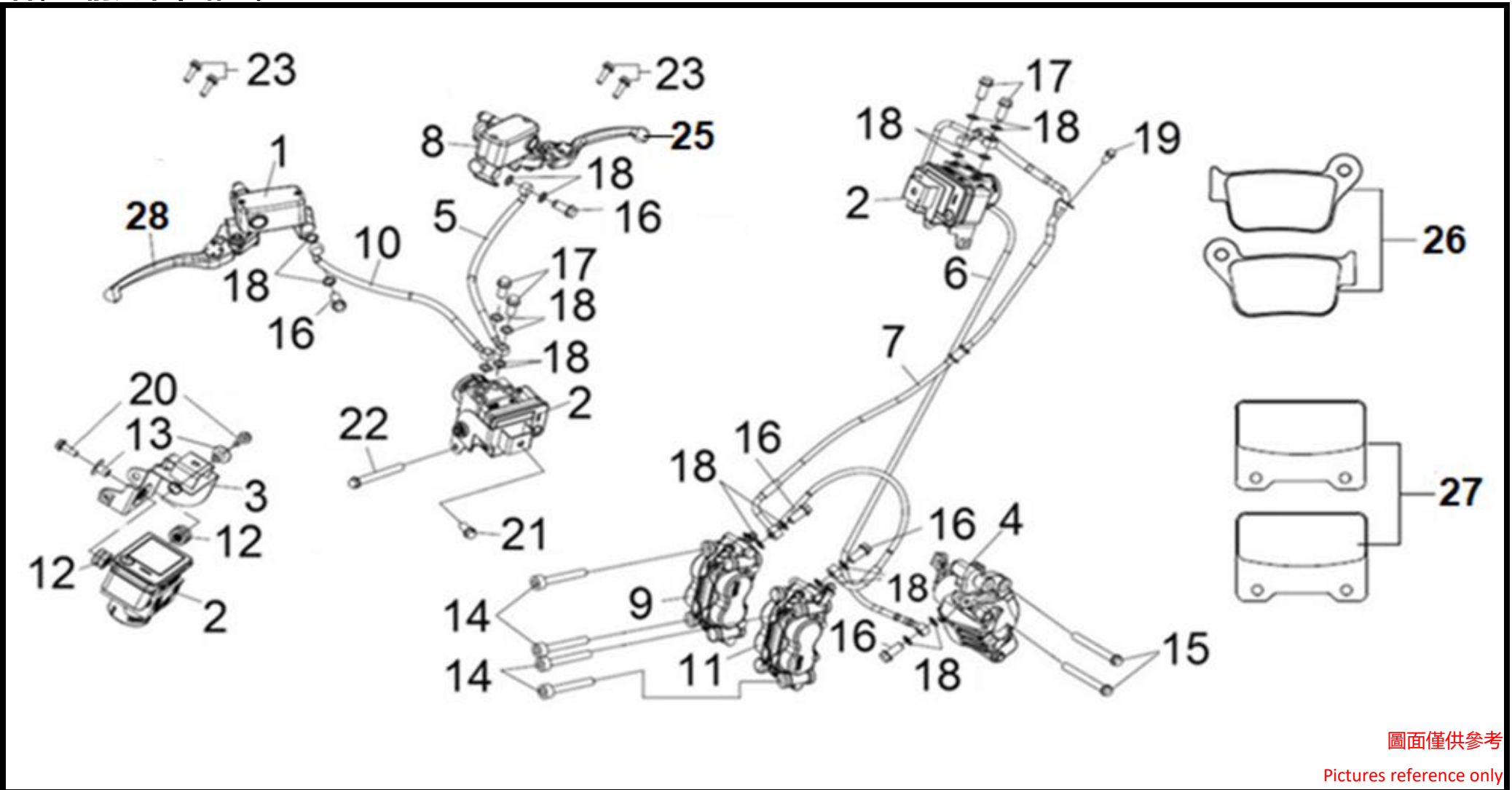
供參考

Pictures reference only

NO	PARTS NUMBER	DESCRIPTION	QTY	REMARK
1	17667-TL1-000	INNER BOX BOTTOM SPRING	2	
2	38650-FSA-000-A2	USB CHARGE UNIT	1	
3	50321-TL1-000	R. INNER LID SPRING	1	
4	50322-TL1-000	L. INNER LID SPRING	1	
5	50323-TL1-000	R. COIN BOX LID HINGE STAY	1	
6	50333-TL1-000	L. COIN BOX LID HINGE STAY	1	
7	53222-TL1-000	R. BOX BUTTOM PLATE	1	
8	53232-TL1-000	L. BOX BOTTOM PLATE	1	
9	81132-TL1-000-KA	FR. INNER BOX BK-001U	1	
10	81133-TL1-000	INNER BOX RUBBER	2	
11	81141-TL1-000	FR. INNER BOX CASE	1	
12	81142-TL1-000-KB	R. MAINTENANCE COVER BK-001C	1	KB - Black
13	81143-TL1-000-KB	L. MAINTENANCE COVER BK-001C	1	KB - Black
14	81144-TL1-000	R. FR. INNER BOX LID STIFFENER	1	
15	81145-TL1-000	L. FR. INNER BOX LID STIFFENER	1	
16	81152-TL1-000	R. COIN BOX LID BOTTOM	1	
17	81153-TL1-000	L. COIN BOX LID BOTTOM	1	
18	90302-V02-000	SPRING NUT 4mm	2	
19	93404-06012-08	WASHER BOLT 6*12	3	
20	93903-34180	TAPPING SCREW 4*8	8	
21	93903-34380	TAPPING SCREW 4*12	13	
22	93903-44380	TAPPING SCREW 4*12	5	
23	93903-44480	TAPPING SCREW 4*16	1	

●Please check the color & stripe information according to the color index !

右 / 左前煞車卡鉗 R / L FR CALIPER ASSY

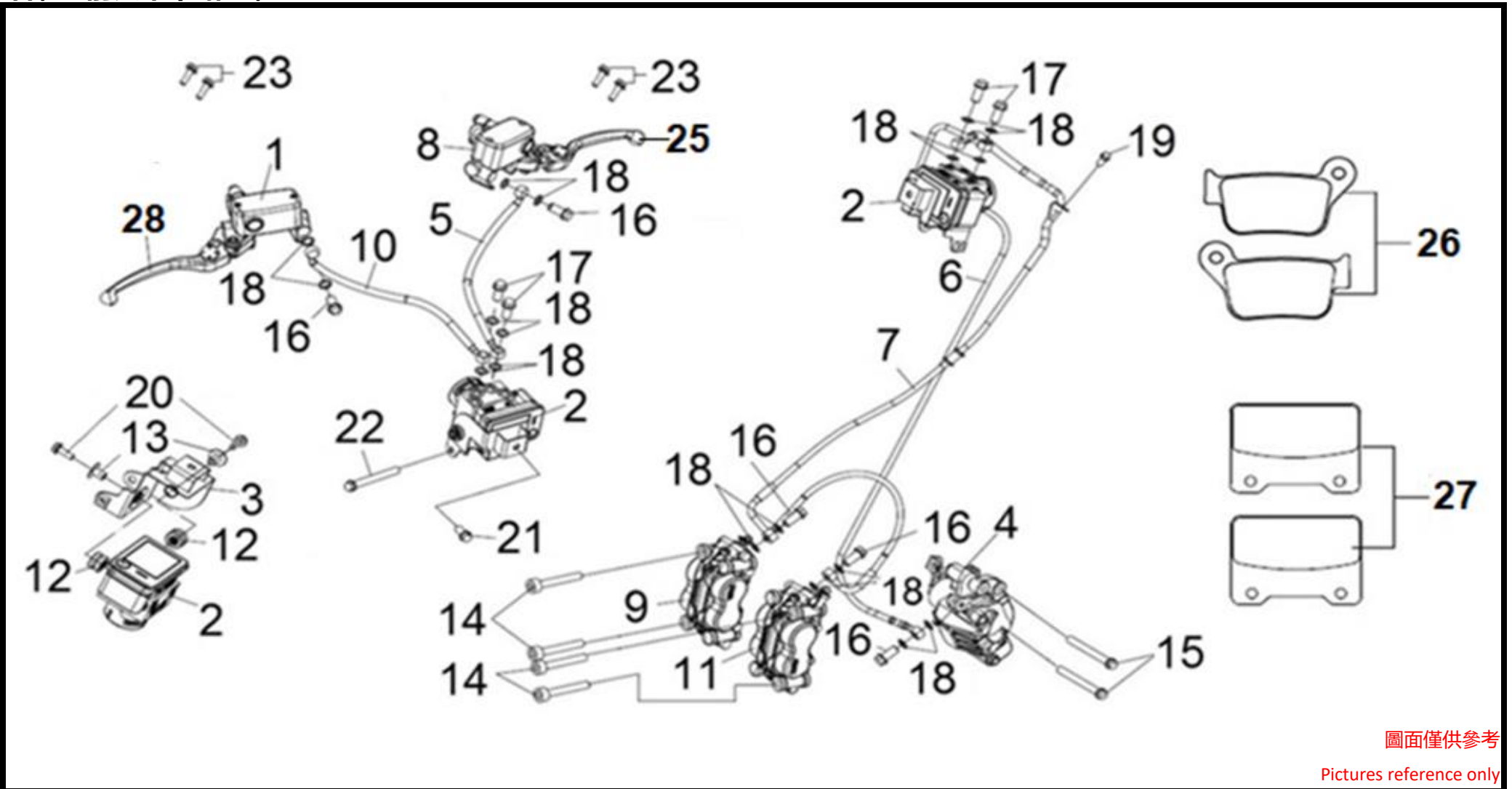


圖面僅供參考
Pictures reference only

NO	PARTS NUMBER	DESCRIPTION	QTY	REMARK
1	45500-L4C-000	FR. M/C ASSY.	1	
1.1	35340-L6C-000	FR. HANDLE STOP SW.	1	
1.2	45506-L4A-300	M/C LID GASKET	1	
1.3	45507-L4A-300	M/C CAP	1	
1.4	45508-L4A-300	MASTER CYLINDER CAP SCREW	2	
1.5	45509-L4A-300	R. HANDLE LEVER	1	
1.6	45510-L4A-300	HANDLE LEVER SCREW	1	
1.7	45517-L4A-300	DIAPHRAGM PLATE.	1	
2	38730-TL1-000	ABS. HYDRAULIC CIRCUIT UNIT	1	
3	38731-TL1-000	ABS. HYDRAULIC CIRCUIT UNIT BRKT.	1	
4	43100-TL1-000-KB	RR CALIPER ASSY BK-001C	1	
5	43126-TL1-000	RR. BREAK HOSE COMP. A	1	
6	43313-TL1-000	RR. BREAK HOSE COMP. B	1	
7	43315-TL1-000	FR. CALIPER HOSE COMP. B	1	
8	43500-L4C-000	RR. M/C ASSY.	1	
8.1	35350-L6C-000	RR. HANDLE STOP SW.	1	
8.2	45506-L4A-300	M/C LID GASKET	1	
8.3	43507-L4A-300	M/C CAP	1	
8.4	45508-L4A-300	MASTER CYLINDER CAP SCREW	2	
8.5	43509-L4A-300	L.HANDLE LEVER SET	1	
8.6	45510-L4A-300	HANDLE LEVER SCREW	1	
8.7	45517-L4A-300	DIAPHRAGM PLATE.	1	
9	45100-TL1-000-KB	R FR CALIPER ASSY BK-001C	1	
9.1	45113-L4A-300	HANGER PIN	2	
10	45126-TL1-000	FR. BRAKE HOSE COMP. A	1	
11	45200-TL1-000-KB	L FR CALIPER ASSY BK-001C	1	
11.1	45113-L4A-300	HANGER PIN	2	
12	80103-X01-000	RR. FENDER RUBBER	2	
13	80104-X01-000	RR. FENDER COLLAR	2	

●Please check the color & stripe information according to the color index !

右 / 左前煞車卡鉗 R / L FR CALIPER ASSY

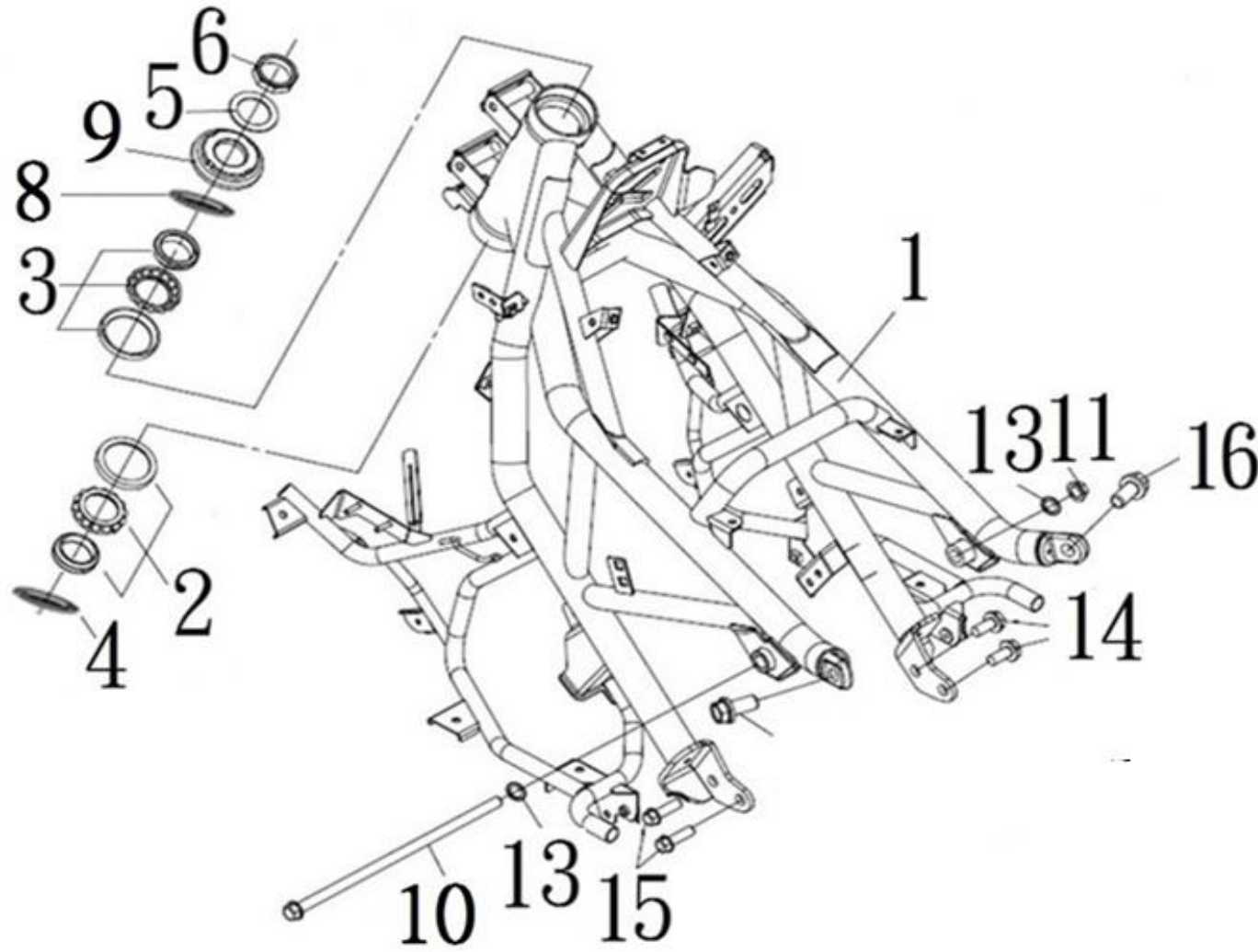


圖面僅供參考
Pictures reference only

NO	PARTS NUMBER	DESCRIPTION	QTY	REMARK
14	90102-L4A-000	SOCKET BOLT 10*65	4	
15	90103-H6B-000	FLANGE BOLT 8*38	2	
16	90145-M9Q-000	OIL BOLT 10*22	5	
17	90145-M9Q-900	OIL BOLT 10*20	4	
18	90545-M9Q-000	OIL BOLT WASHER	18	
19	95801-06012-07	FLANGE BOLT 6*12	1	
20	95801-06020-07	FLANGE BOLT 6*20	2	
21	95801-08012-07	FLANGE BOLT 8*12	1	
22	95801-08075-08	FLANGE BOLT 8*75	1	
23	95801-06022-07	FLANGE BOLT 6*22	4	
25	43509-L4A-300	L.HANDLE LEVER SET	1	
26	43140-L4A-300	RR. PAD ASSY	1	
27	45130-L4A-310	RH. FR. PAD ASSY	2	
28	45509-L4A-300	R.HANDLE LEVER SET	1	

●Please check the color & stripe information according to the color index !

前段車台 FRAME BODY COMP.(1)

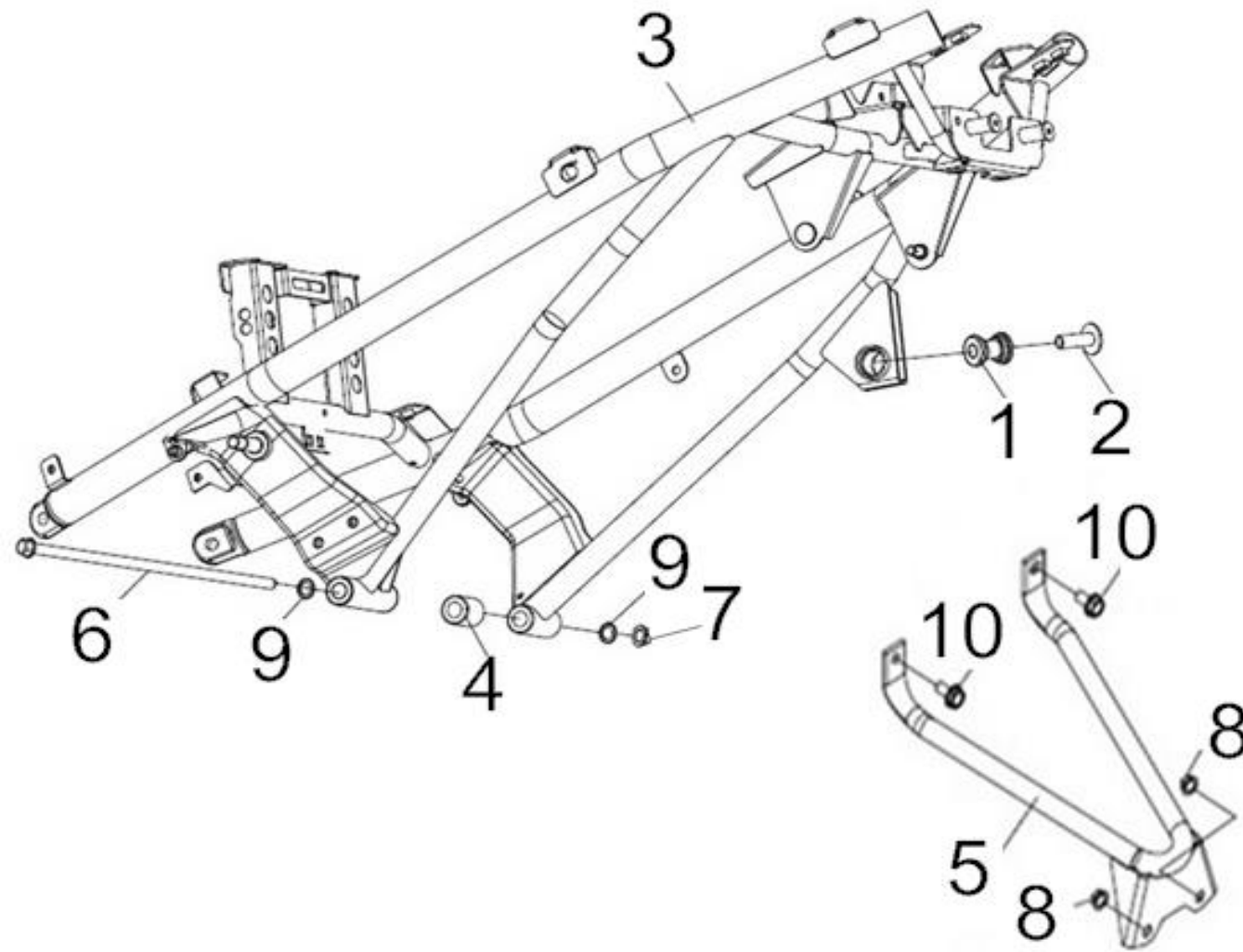


圖面僅供參考
Pictures reference only

NO	PARTS NUMBER	DESCRIPTION	QTY	REMARK
1	5010N-TL1-000	FRAME BODY SET	1	
2	50300-TL1-000	STRG. UP/BOTTOM RACE BALL	1	
3	50306-TL1-000	TOP CONE / BALL RACE SET	1	
4	50307-TL1-000	HEAD PIPE SEAL	1	
5	50308-TL1-000	STRG. STEM WASHER	1	
6	50309-TL1-000	STRG. STEM LOCK NUT	1	
8	50407-TL1-000	HEAD PIPE SEAL B	1	
9	53220-TL1-000	STRG. HEAD TOP THEAD COMP.	1	
10	90121-TL1-000	PIVOT BOLT M12*317	1	
11	90306-SB1-0000	SELF LOCK NUT 12mm	1	
13	94101-12800	WASHER PLAIN 12mm	2	
14	95801-10025-07	FLANGE BOLT 10*25	2	
15	95801-10038-07	FLANGE BOKT 10*38	2	
16	95801-12025-07	FLANGE BOLT M12*25	1	

●Please check the color & stripe information according to the color index !

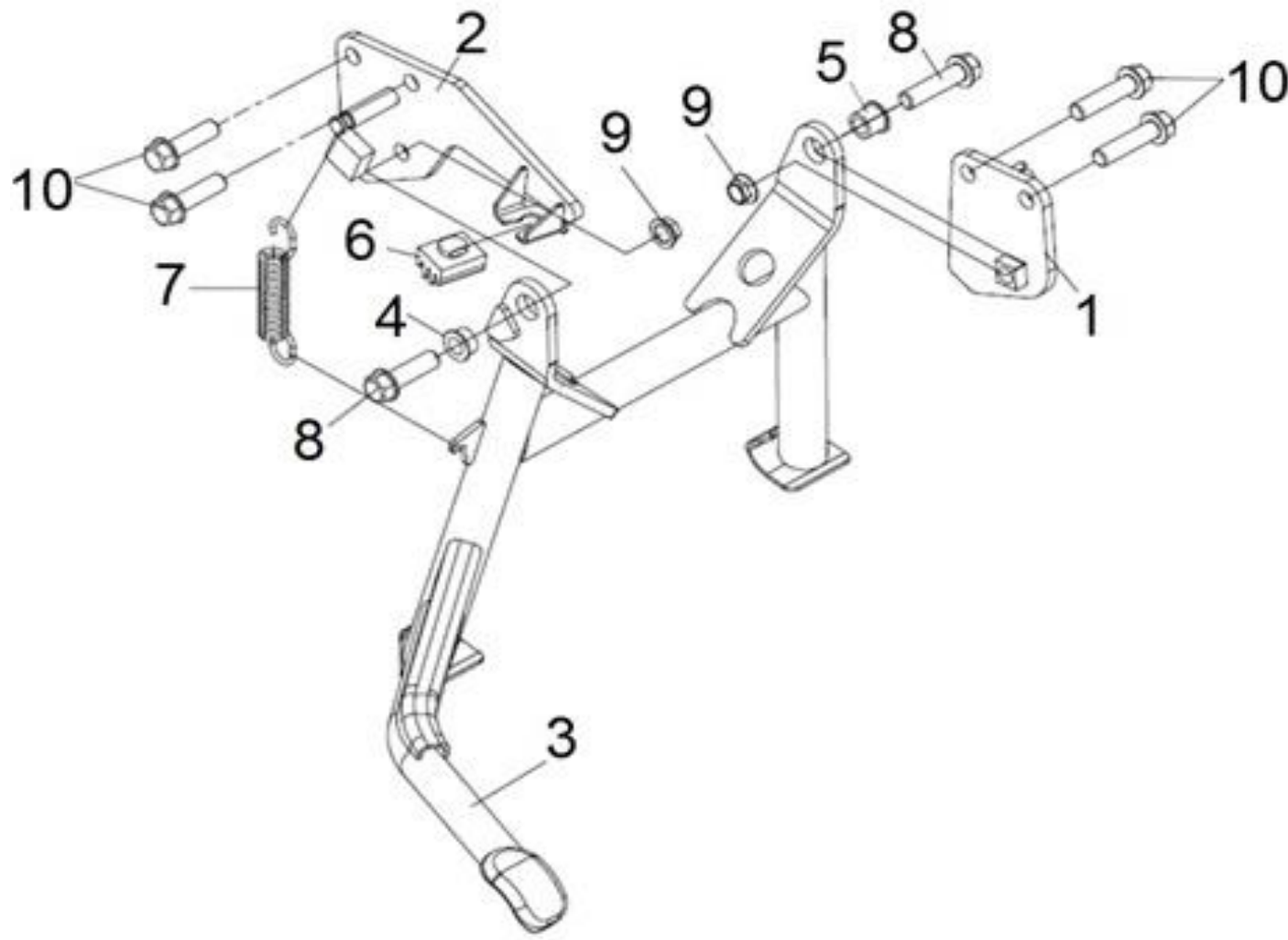
後段車台 FRAME BODY COMP.(2)



圖面僅供參考
Pictures reference only

NO	PARTS NUMBER	DESCRIPTION	QTY	REMARK
1	18421-N01-000	MUFF. MOUNT RUBBER	1	
2	18422-N01-000	MUFF. MOUNT COLLAR	1	
3	50180-TL1-000-KB	RR. FRAME BODY COMP	1	
4	50181-TL1-000	RR. FRAME COLLAR	1	
5	52500-TL1-000	RR, FENDER BRKT. COMP	1	
6	90122-TL1-000	PIVOT BOLT M12*360	1	
7	90306-SB1-0000	SELF-LOCK NUT 12mm	1	
8	94050-06070	FLANGE NUT 6mm	2	
9	94101-12800	PLAIN WASHER 12mm	2	
10	95801-06012-07	FLANGE BOLT 6*12	2	

●Please check the color & stripe information according to the color index !

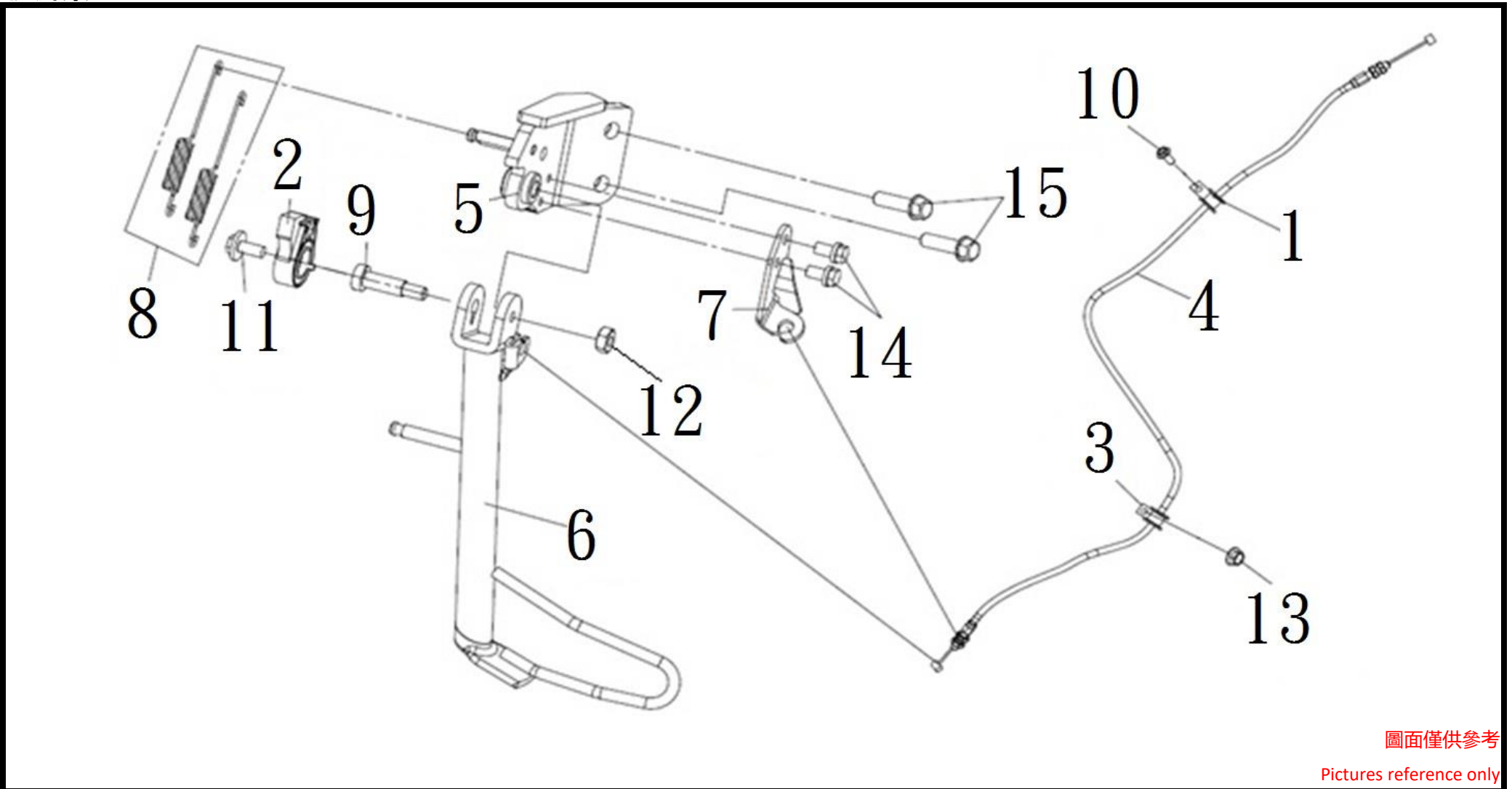


圖面僅供參考
Pictures reference only

NO	PARTS NUMBER	DESCRIPTION	QTY	REMARK
1	50165-TL1-004	R. MAIN STAND BRKT.	1	
2	50166-TL1-000	L. MAIN STAND BRKT.	1	
3	50500-TL1-000	MAIN STAND COMP BK-001C	1	
4	50502-GY6-900	MAIN STAND COLLAR	1	
5	50503-HHA-000	MAIN STAND COLLAR	1	
6	50505-M7Q-000	STAND STOP RUBBER	1	
7	5052A-H9A-000	MAIN STAND SPG.ASSY	1	
8	90117-L4A-000	FLANGE BOLT 10*40	2	
9	90304-M9Q-000	FLANGE U NUT 10mm	2	
10	95801-10025-07	FLANGE BOLT 10*25	4	

●Please check the color & stripe information according to the color index !

側腳架 SIDE STAND COMP

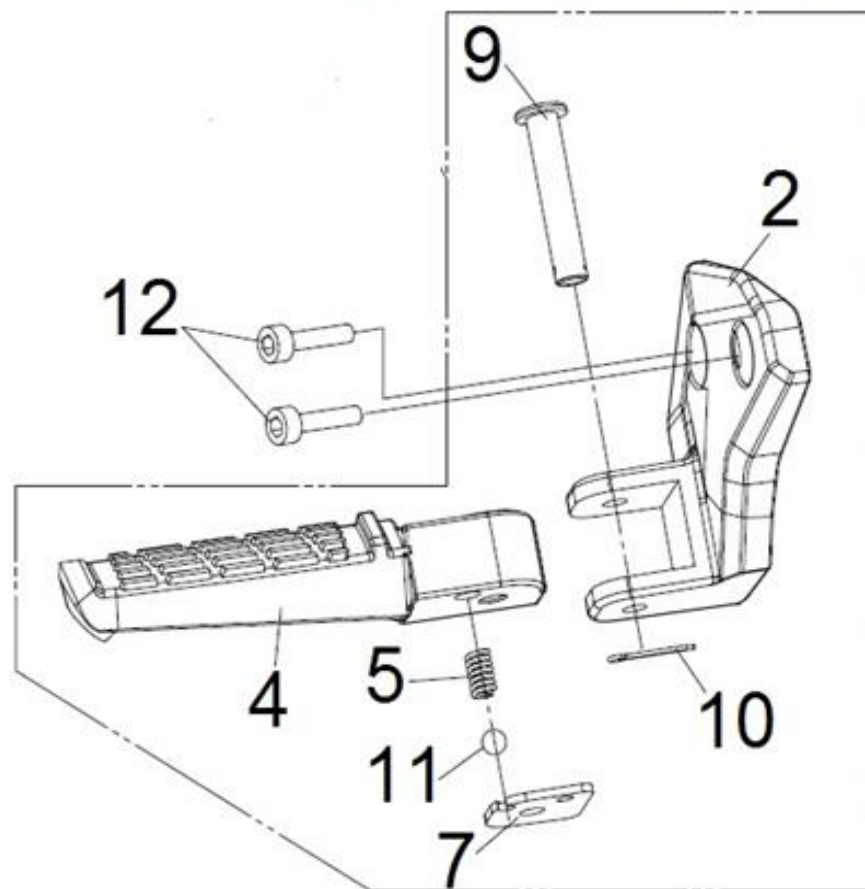


圖面僅供參考
Pictures reference only

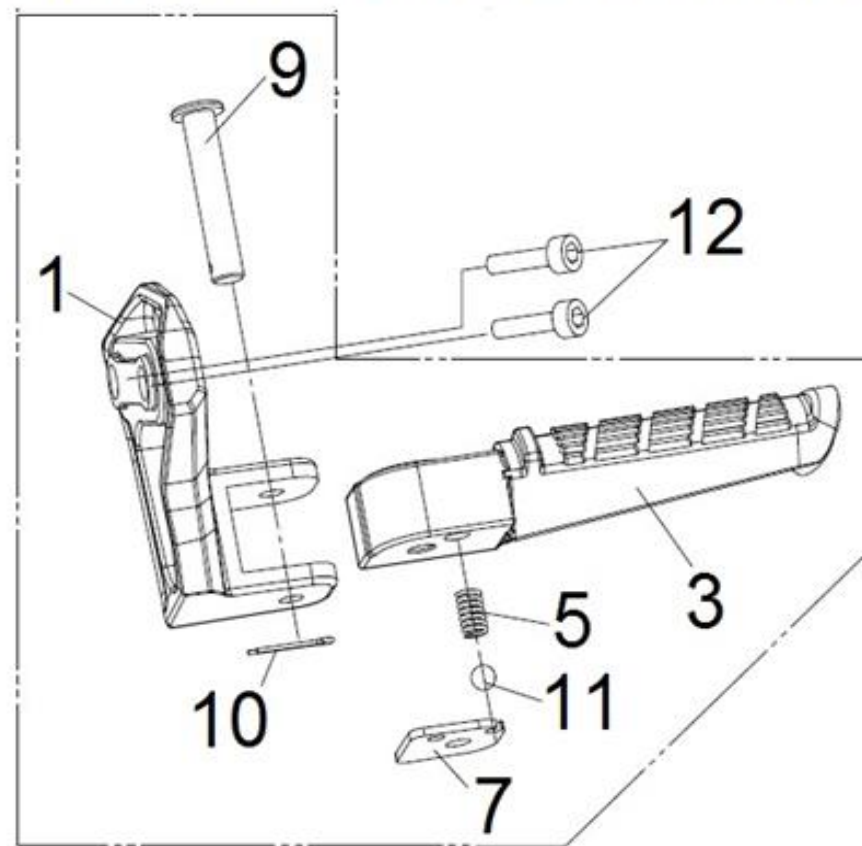
NO	PARTS NUMBER	DESCRIPTION	QTY	REMARK
1	17787-AVA-000	THROTTLE CABLE CLAMP	1	
2	36500-F91-000	SIDE STAND SW. COMP	1	
3	45157-TL1-000	CABLE CLAMP	1	
4	45450-TL1-000	PARKING CABLE COMP.	1	
5	50255-TL1-000	SIDE STAND BRKT.	1	
6	50530-TL1-000	SIDE STAND COMP BK-001C	1	
7	50533-TL1-000	PARKING CABLE STAY COMP.	1	
8	5053A-HMA-000	SIDE STAND SPG. ASSY.	1	
9	90108-HMA-000	SIDE STAND PIVOT SCREW	1	
10	93401-05012-07	WASHER BOLT 5*12	1	
11	93404-06016-07	WASHER BOLT 6*16	1	
12	94030-08080	HEX NUT 8mm	1	
13	94050-06070	FLANGE NUT 6mm	1	
14	95801-06012-07	FLANGE BOLT 6*12	2	
15	95801-10038-07	FLANGE BOLT 10*38	2	

●Please check the color & stripe information according to the color index !

LEFT PILLION STEP ASSY BK-001C



RIGHT PILLION STEP ASSY BK-001C

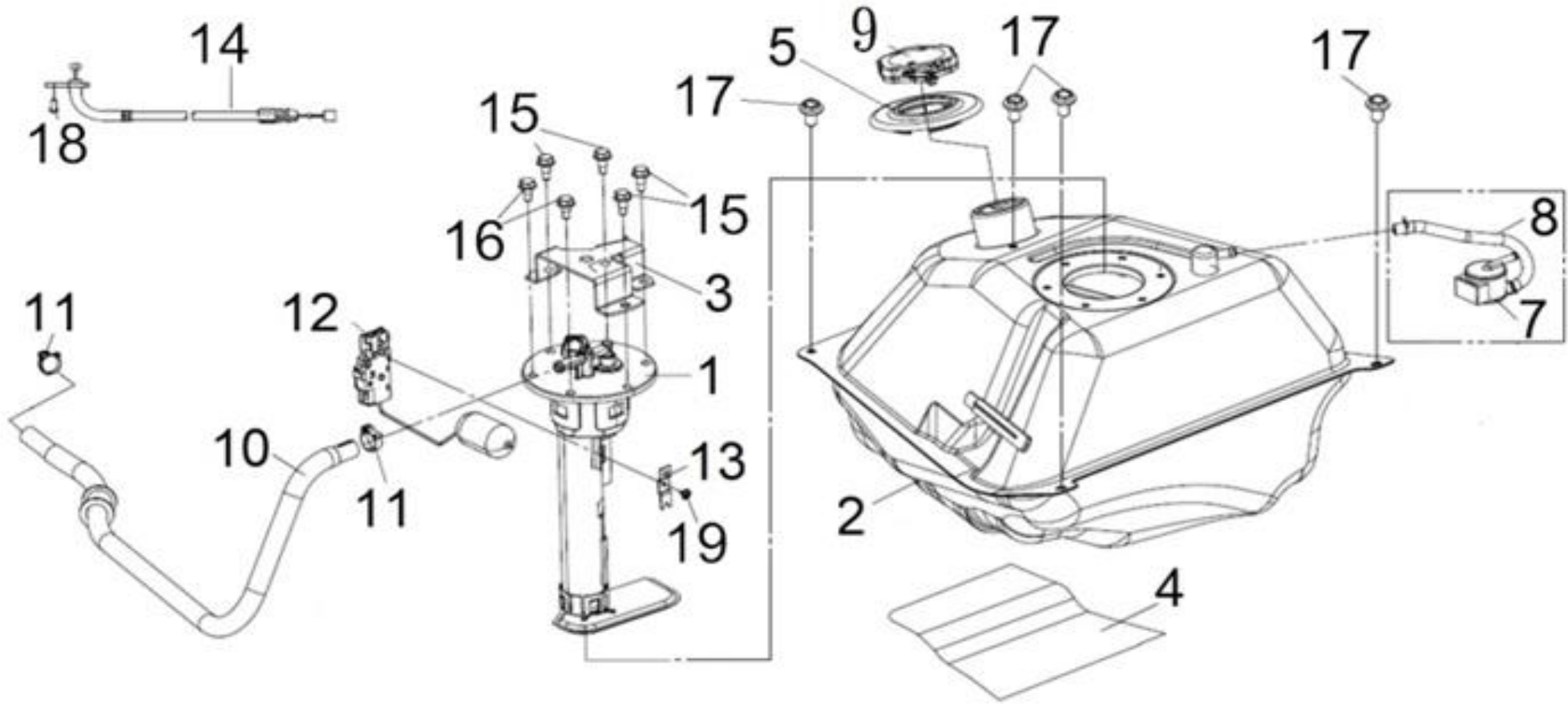


圖面僅供參考

Pictures reference only

NO	PARTS NUMBER	DESCRIPTION	QTY	REMARK
1	50610-TL1-000	R. PILLION STEP HOLDER	1	
2	50620-TL1-000	L. PILLION STEP HOLDER	1	
3	50621-TL1-000	R. PILLION STEP	1	
4	50622-TL1-000	L. PILLION STEP	1	
5	50703-R02-000	STOP. SPRING	2	
7	50719-TL1-000	STOP. PLATE	2	
9	50722-B9A-000	STEP PIN	2	
10	94201-16200	SPLIT PIN 1.6*20	2	
11	96211-08000	STEEL BALL 8MM	2	
12	96700-08020-00	SOCKET BOLT 8*20	4	

●Please check the color & stripe information according to the color index !

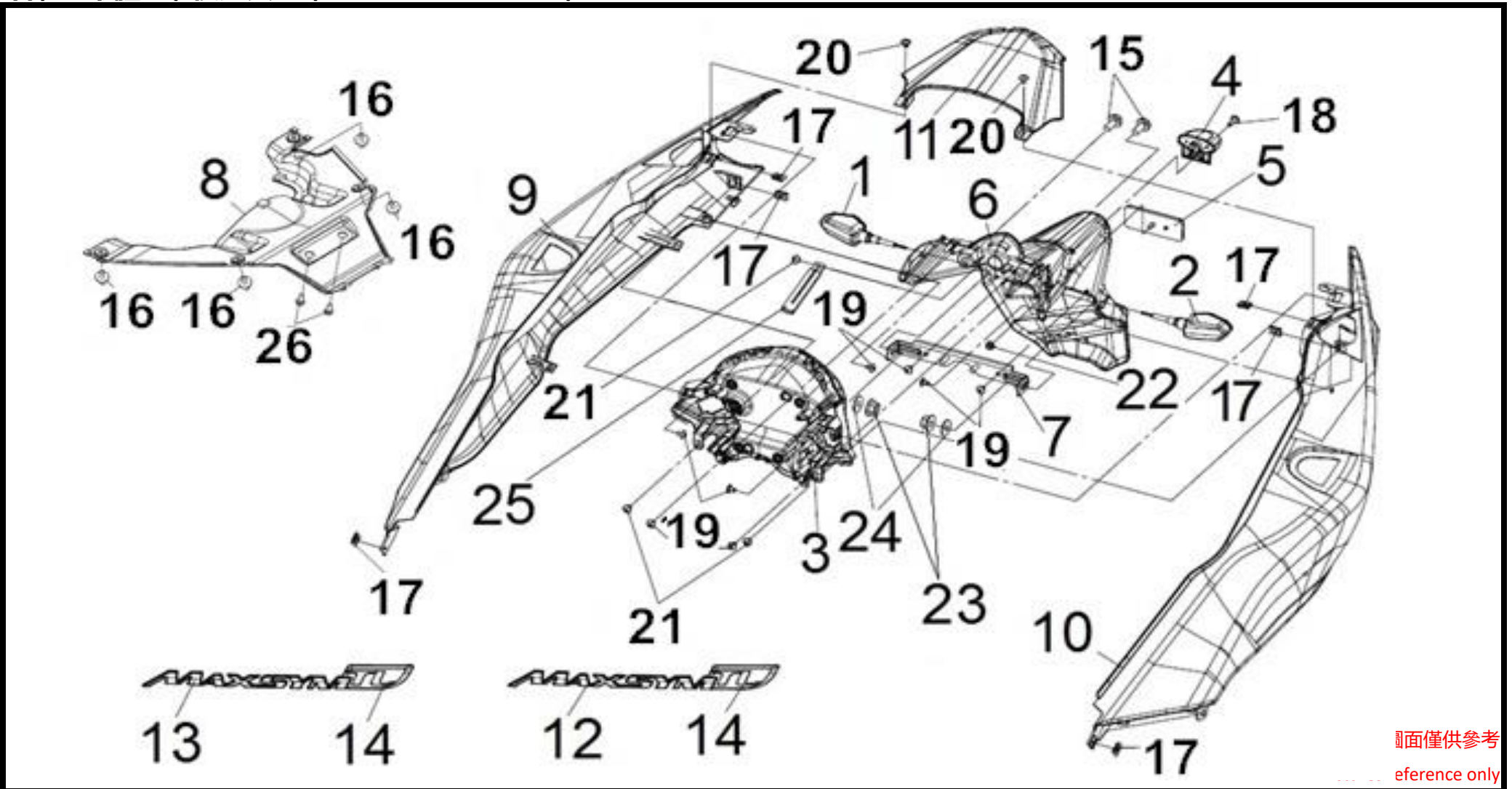


圖面僅供參考
 Pictures reference only

NO	PARTS NUMBER	DESCRIPTION	QTY	REMARK
1	16700-TL1-000	FUEL PUMP ASSY.	1	
2	17500-TL1-000	FUEL TANK COMP.	1	
3	17502-TL1-000	FUEL PUMP STAY	1	
4	17506-TL1-000	HEAT PROOF PANEL	1	
5	17512-TL1-000	PACKING FILLER NECK	1	
7	17581-L32-000	FUEL CUT VALVE(SENTEC)	1	
8	17583-TL1-000	TANK-F.C.V. TUBE	1	
9	17620-XH1-020	FUEL FILLER CAP COMP.	1	
10	17782-TL1-000	FUEL TUBE	1	
11	19505-F81-000	HOSE CLAMP	2	
12	37800-TL1-000	FUEL UNIT COMP.	1	
13	37804-TL1-000	FUEL UNIT STAY	1	
14	77245-TL1-000	FUEL CAP LOCK CABLE	1	
15	90105-HMC-000	FUEL PUMP BOLT	4	
16	90106-LEA-000	FUEL PUMP BOLT	2	
17	93404-06012-07	WASHER BOLT 6*12	4	
18	93892-05012-08	WASHER SCREW 5*12	1	
19	93903-HGC-000	TAPPING SCREW	1	

●Please check the color & stripe information according to the color index !

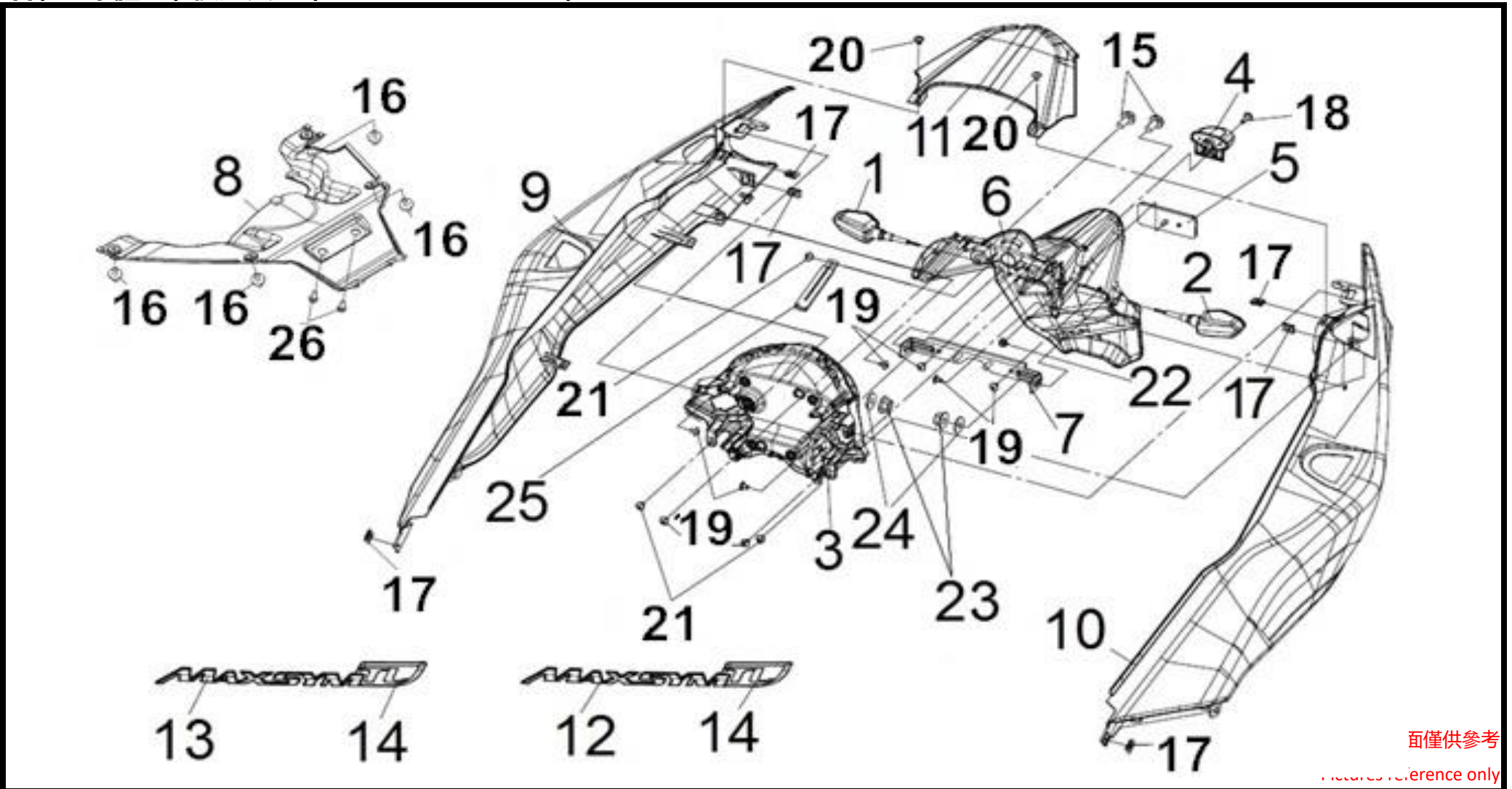
右 / 左車體蓋 / 後燈具 R / L BODY COVER ASSY / TAIL LIGHT ASSY



NO	PARTS NUMBER	DESCRIPTION	QTY	REMARK
1	33600-TL1-000	RR. R WINKER ASSY	1	
2	33650-TL1-000	RR. L WINKER ASSY	1	
3	33700-TL1-000	TAIL LIGHT ASSY	1	
4	33740-E4D-010	LICENES LIGHT ASSY.	1	
5	33741-M9A-100	RR. REFLEX REFLECTOR	1	
6	80100-TL1-000-KA	RR. FENDER BK-001U	1	
7	80107-TL1-000	RR. WINKER STAY	1	
8	8010A-TL1-000-KA	RR. INNER FENDER ASSY. BK-001U	1	
9	83500-TL1-000-GG	R BODY COVER GY-008C	1	GG - Gray
9	83500-TL1-000-JH	R BODY COVER BK-001UL	1	JH - Matte Black
9	83500-TL1-000-UH	R BODY COVER BU-2747U	1	UH - Matte Blue
10	83600-TL1-000-GG	L BODY COVER GY-008C	1	GG - Gray
10	83600-TL1-000-JH	L BODY COVER BK-001UL	1	JH - Matte Black
10	83600-TL1-000-UH	L BODY COVER BU-2747U	1	UH - Matte Blue
11	83750-TL1-000-KB	RR CENTER COVER BK-001C	1	KB - Black
12	87126-TL1-000	R. BODY COVER EMBLEM (MAXSYM)	1	
12	87126-TL1-100	R. BODY COVER EMBLEM (TL500)	1	
13	87127-TL1-000	L. BODY COVER EMBLEM (MAXSYM)	1	
13	87127-TL1-100	L. BODY COVER EMBLEM (TL500)	1	
14	87128-TL1-010	BODY COVER EMBLEM (TL) R-200CA+S-011U	2	
15	90112-N01-000	FLANGE BOLT 6mm	2	
16	90115-REA-000	PLASTIC NUT 6mm	4	
17	90302-V02-000	NUT SPRING 4mm	6	
18	93901-35380	SCREW TAPPING 5*16	1	
19	93903-35280	TAPPING SCREW 5*12	8	
20	93903-44380	TAPPING SCREW 4*12	2	
21	93903-45280	TAPPING SCREW 5*12	3	
22	94050-05080	FLANGE NUT 5mm	1	

●Please check the color & stripe information according to the color index !

右 / 左車體蓋 / 後燈具 R / L BODY COVER ASSY / TAIL LIGHT ASSY

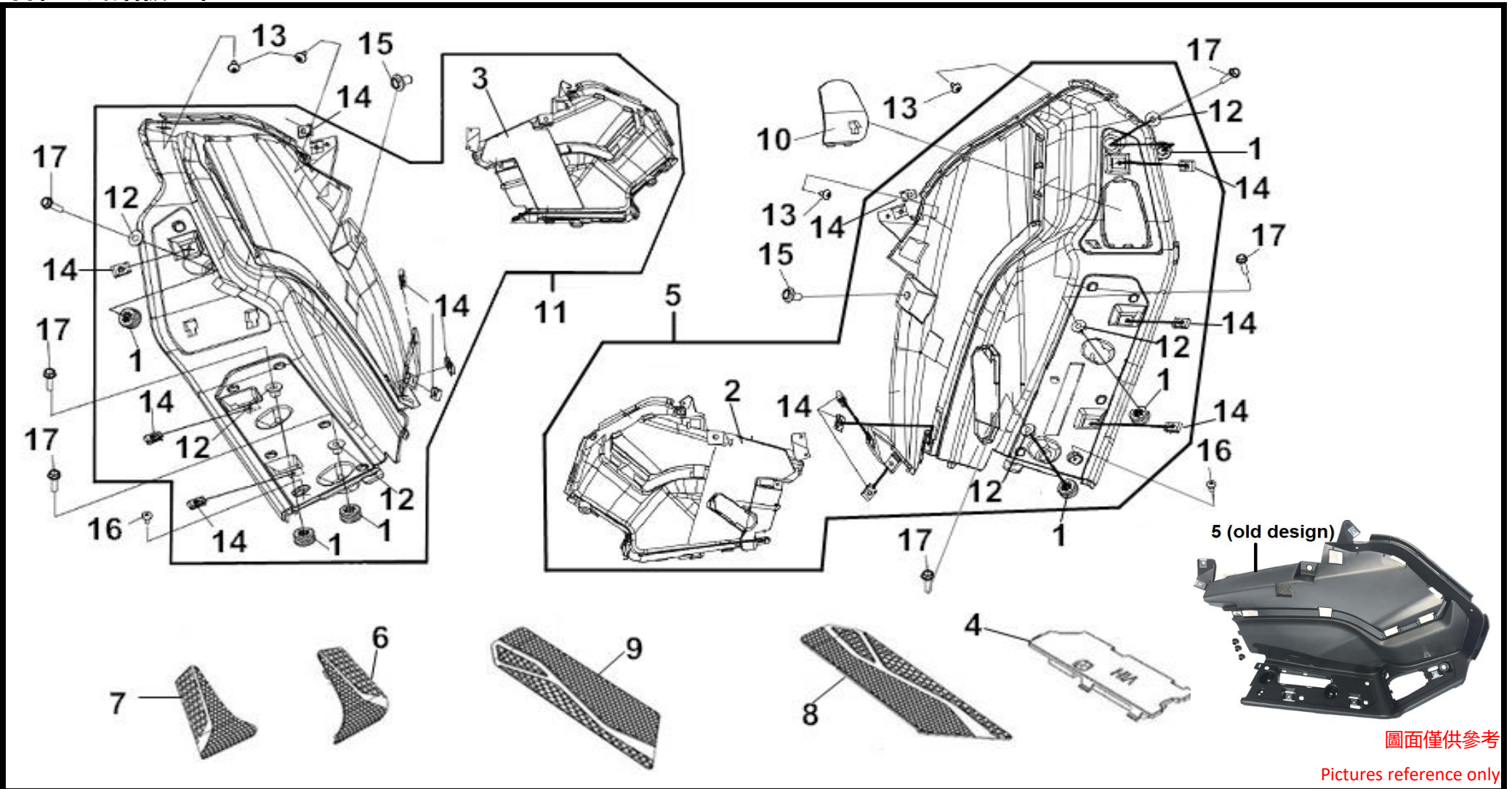


面僅供參考
pictures reference only

NO	PARTS NUMBER	DESCRIPTION	QTY	REMARK
23	94050-10080	FLANGE NUT 10mm	2	
24	94102-10700	PLAIN WASHER 10mm	2	
25	94591-27000	CLIP 2*70	1	
26	95801-08012-07	FLANGE BOLT 8*12	2	

●Please check the color & stripe information according to the color index !

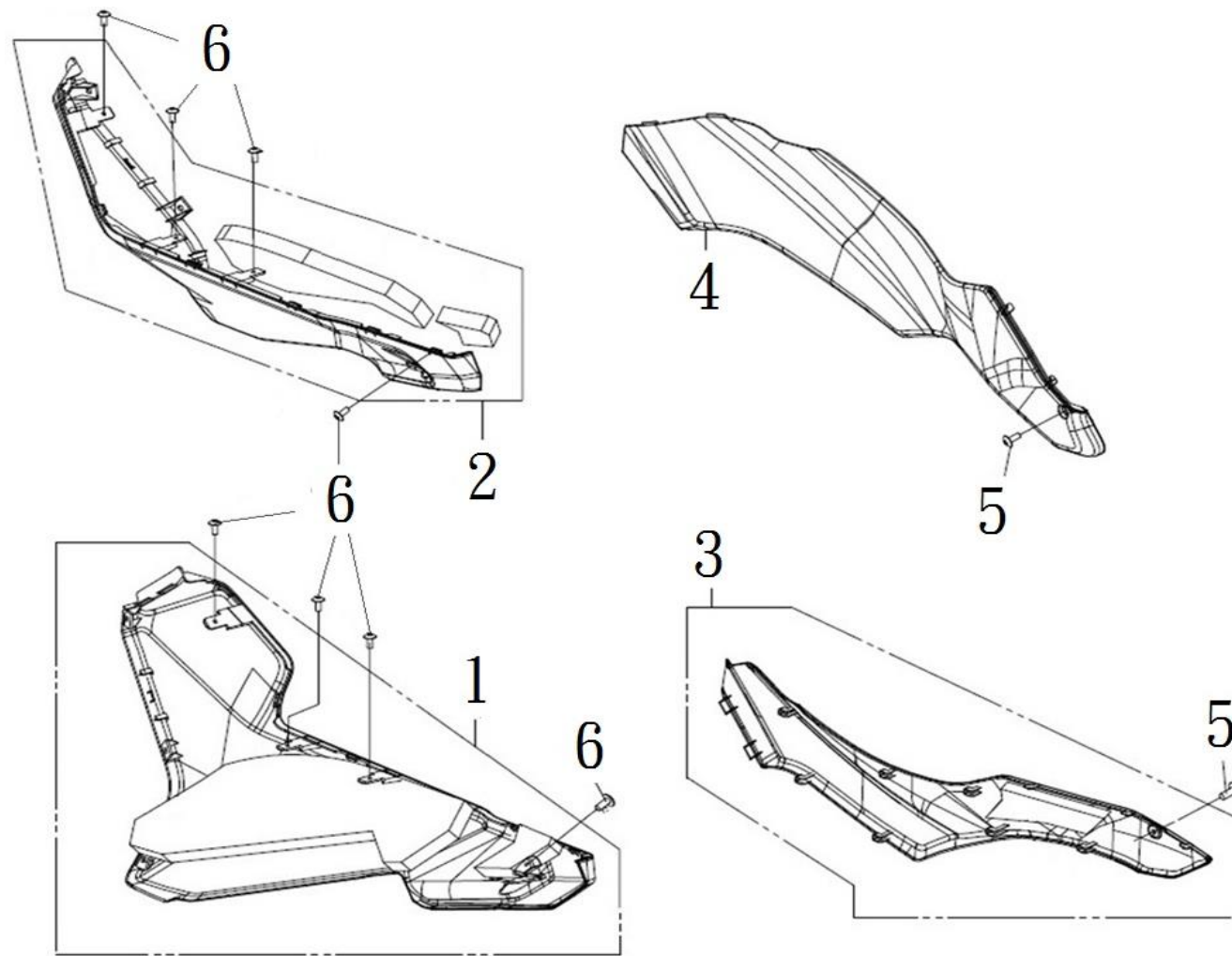
右 / 左腳踏板 R / L. FLOOR PANEL ASSY



NO	PARTS NUMBER	DESCRIPTION	QTY	REMARK
1	64304-X01-000	FR. COVER RUBBER	6	
2	64311-TL1-000	R. FLOOR PANAL SPONGE	1	
3	64312-TL1-000	L. FLOOR PANAL SPONGE	1	
4	64313-TL1-900	VIN LID	1	for 6431A-TL1-012-KA
5	6431A-TL1-011-KA	R. FLOOR PANEL ASSY. BK-001U	1	old design, provide while stock last
5	6431A-TL1-012-KA	R. FLOOR PANEL ASSY. BK-001U	1	
6	64321-TL1-000-KA	R. FLOOR MAT A BK-001U	1	
7	64322-TL1-000-KA	L. FLOOR MAT A BK-001U	1	
8	64323-TL1-000-KA	R. FLOOR MAT B BK-001U	1	
9	64324-TL1-000-KA	L. FLOOR MAT B BK-001U	1	
10	64325-TL1-000-KA	RADIATOR LID BK-001U	1	
11	6432A-TL1-000-KA	L. FLOOR PANEL ASSY. BK-001U	1	
12	67101-L3A-000	WIND SCREW COLLAR	6	
13	90102-TL1-900	HEX. SOCKET TAPPING SCREW 4*14	4	
14	90302-V02-000	SPRING NUT 4mm	14	
15	93404-06012-07	WASHER BOLT 6*12	2	
16	93903-44380	TAPPING SCREW 4*12	2	
17	95801-06022-07	FLANGE BOLT 6*22	6	

●Please check the color & stripe information according to the color index !

右 / 左側蓋 R / L SIDE COVER

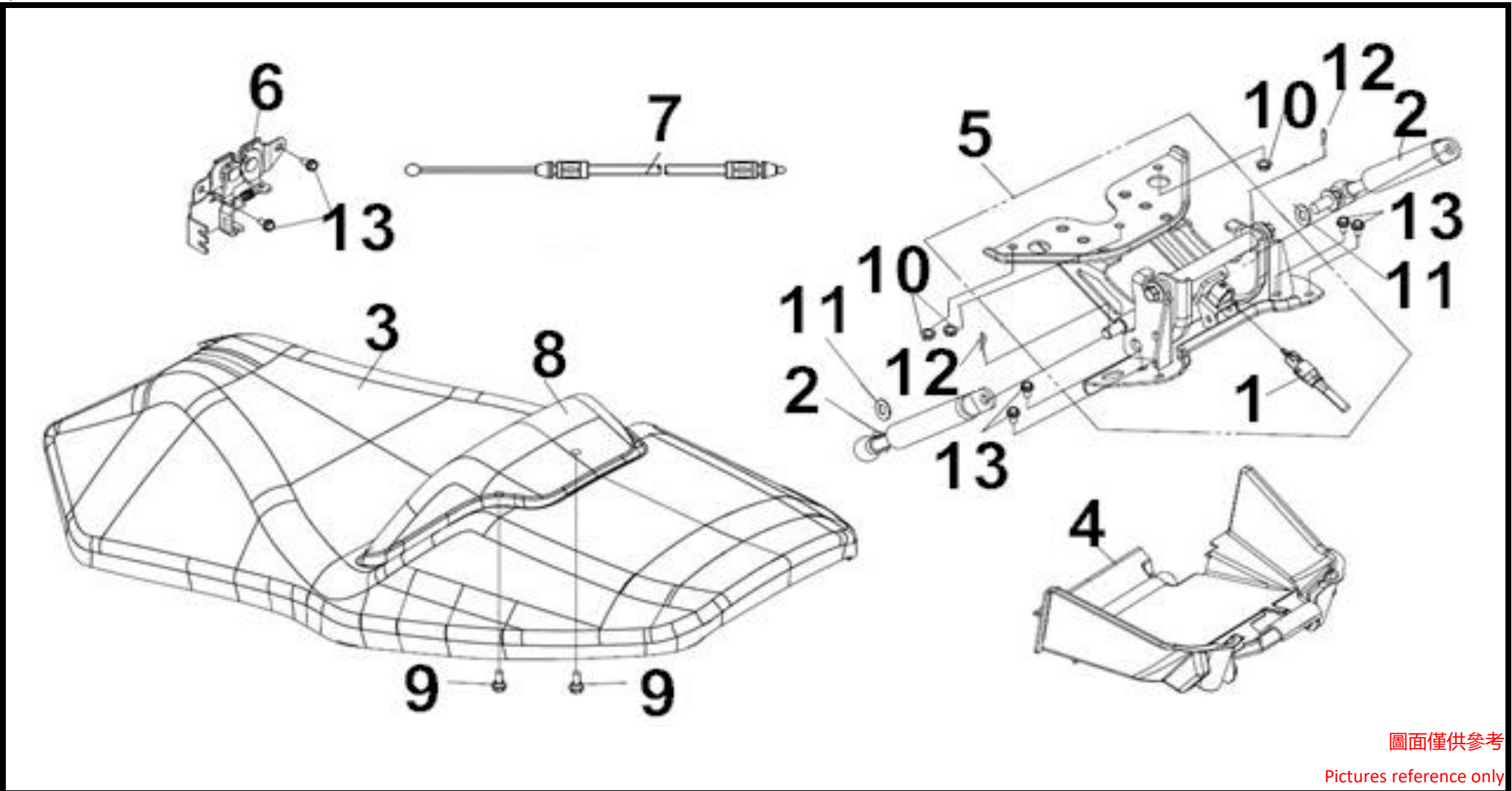


圖面僅供參考

Pictures reference only

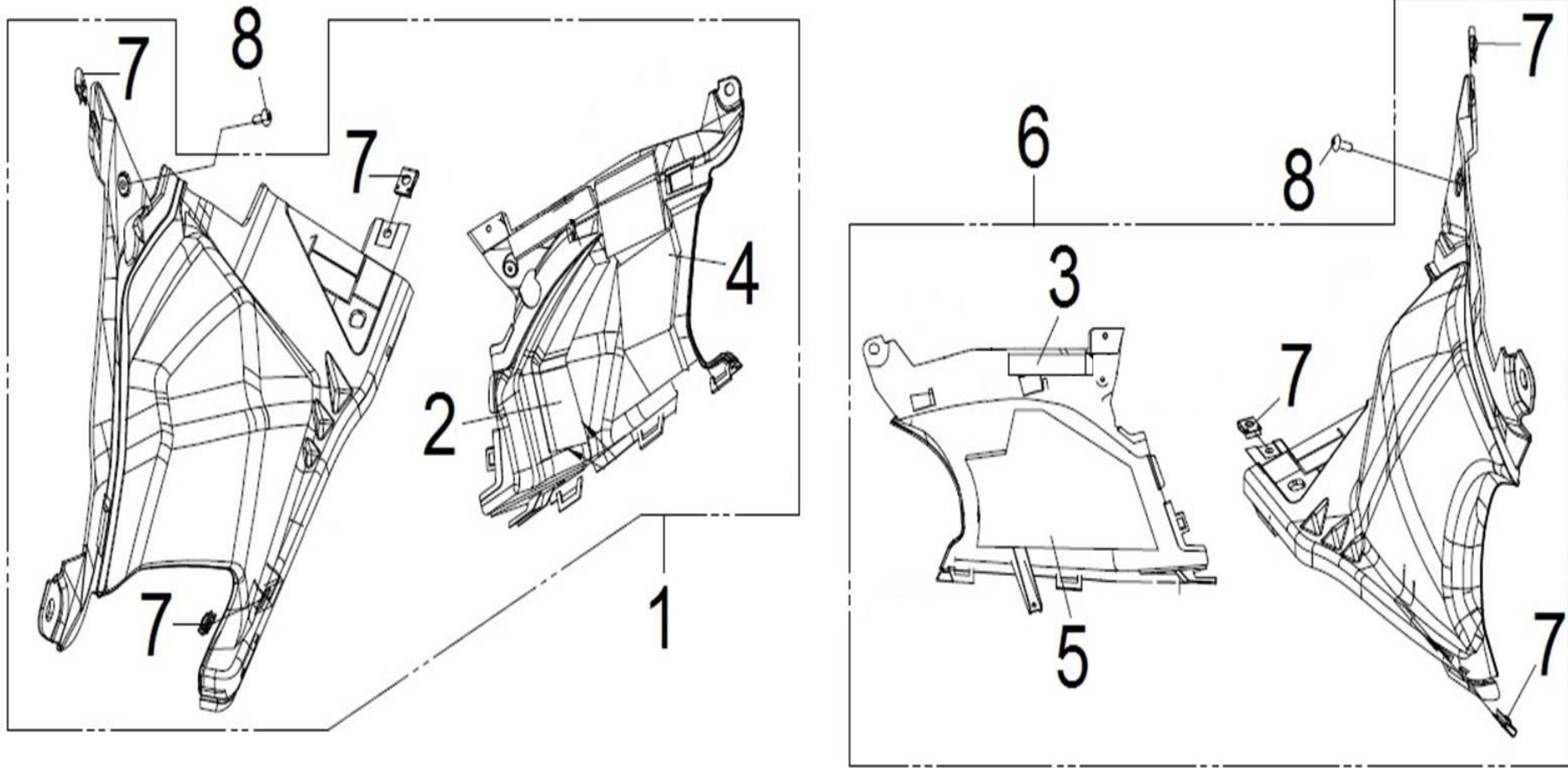
NO	PARTS NUMBER	DESCRIPTION	QTY	REMARK
1	5061B-TL1-007-GE	R. UNDER SPOILER ASSY GY-010UL	1	Light Gray
1	5061B-TL1-007-IL	R. UNDER SPOILER ASSY GY-7450U	1	Deep Gray
2	5061C-TL1-007-GE	L. UNDER SPOILER ASSY GY-010UL	1	Light Gray
2	5061C-TL1-007-IL	L. UNDER SPOILER ASSY GY-7450U	1	Deep Gray
3	8351A-TL1-000-GE	R SIDE COVER ASSY GY-010UL	1	Light Gray
3	8351A-TL1-000-IL	R SIDE COVER ASSY GY-7450U	1	Deep Gray
4	83610-TL1-000-GE	L SIDE COVER GY-010UL	1	Light Gray
4	83610-TL1-000-IL	L SIDE COVER GY-7450U	1	Deep Gray
5	90117-TL1-000	SPECIAL BOLT M6*22	2	
6	93903-44380	TAPPING SCREW 4*12	8	

●Please check the color & stripe information according to the color index !



NO	PARTS NUMBER	DESCRIPTION	QTY	REMARK
1	35345-L3A-000	SEAT OPEN LAMP SW.	1	
2	74480-TL1-000	GAS DAMPER	2	
3	77200-TL1-000	DOUBLE SEAT COMP.	1	
4	77213-TL1-000	R SEAT HINGER COVER	1	
5	7721A-TL1-000	SEAT HINGE ASSY.	1	
6	77230-LM1-000	SEAT CATCH ASSY.	1	
7	77240-TL1-000	SEAT LOCK CABLE	1	
8	77300-TL1-000	RR. SEAT COMP.	1	
9	90111-M9Q-900	FLANGE BOLT 6mm	2	
10	94050-06070	FLANGE NUT 6mm	3	
11	94101-08000	PLAIN WASHER 8mm	2	
12	94251-08400	LOCK PIN 8mm	2	
13	95801-06012-07	FLANGE BOLT 6*12	6	

●Please check the color & stripe information according to the color index !



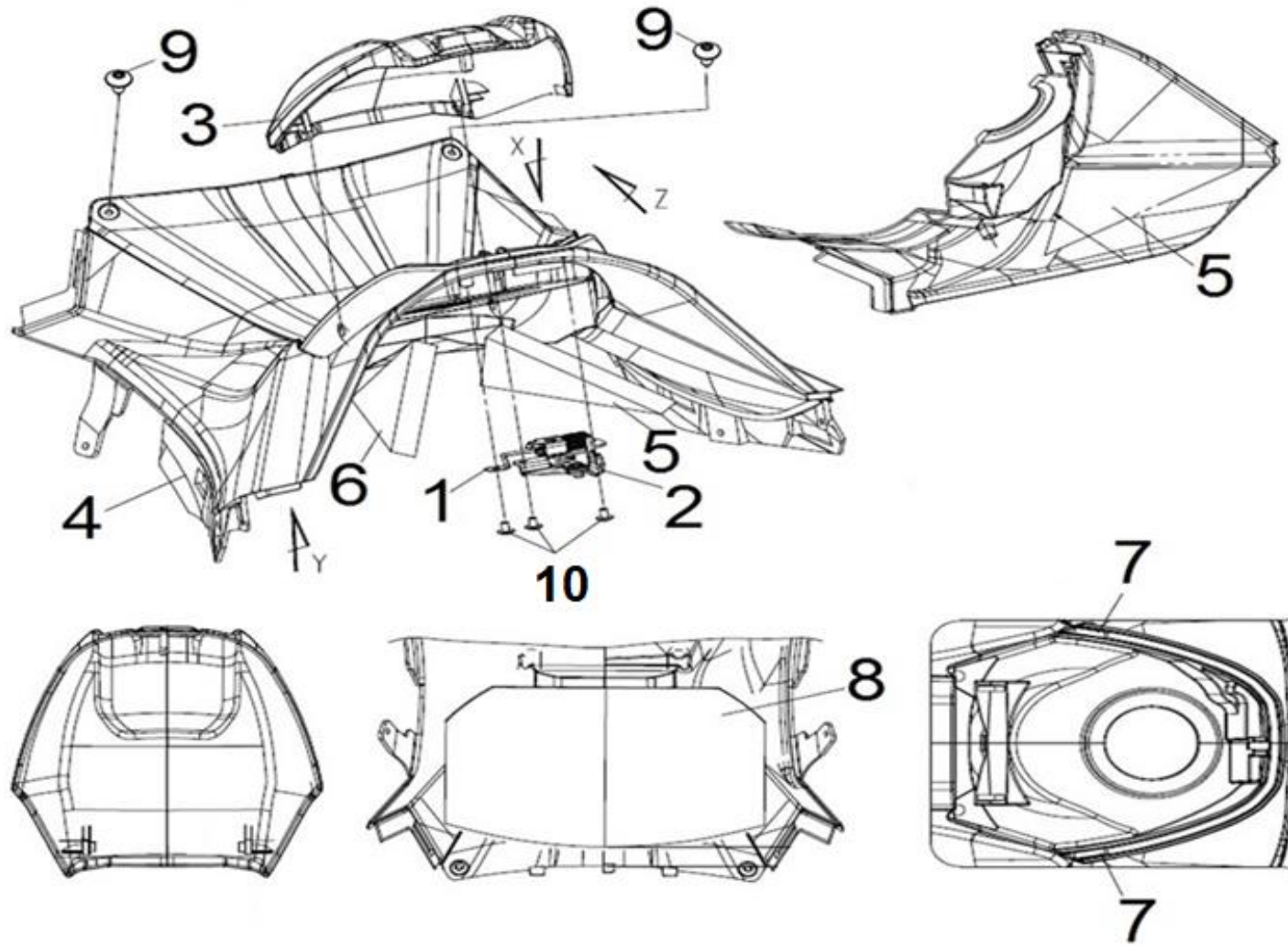
圖面僅供參考

Pictures reference only

NO	PARTS NUMBER	DESCRIPTION	QTY	REMARK
1	6433A-TL1-000-KA	R. SIDE MAINTENANCE COVER	1	
2	64331-TL1-000	R. MAINTENANCE COVER SPONGE	1	
3	64332-TL1-000	SIDE MAINTENANCE COVER SPONGE A	2	
4	64333-TL1-000	SIDE MAINTENANCE COVER SPONGE B	1	
5	64341-TL1-000	L. MAINTENANCE COVER SPONGE	1	
6	6434A-TL1-000-KA	L. SIDE MAINTENANCE COVER	1	
7	90302-V02-000	SPRING NUT 4mm	6	
8	93903-44380	TAPPING SCREW 4*12	2	

●Please check the color & stripe information according to the color index !

中央護蓋 CENTER COVER

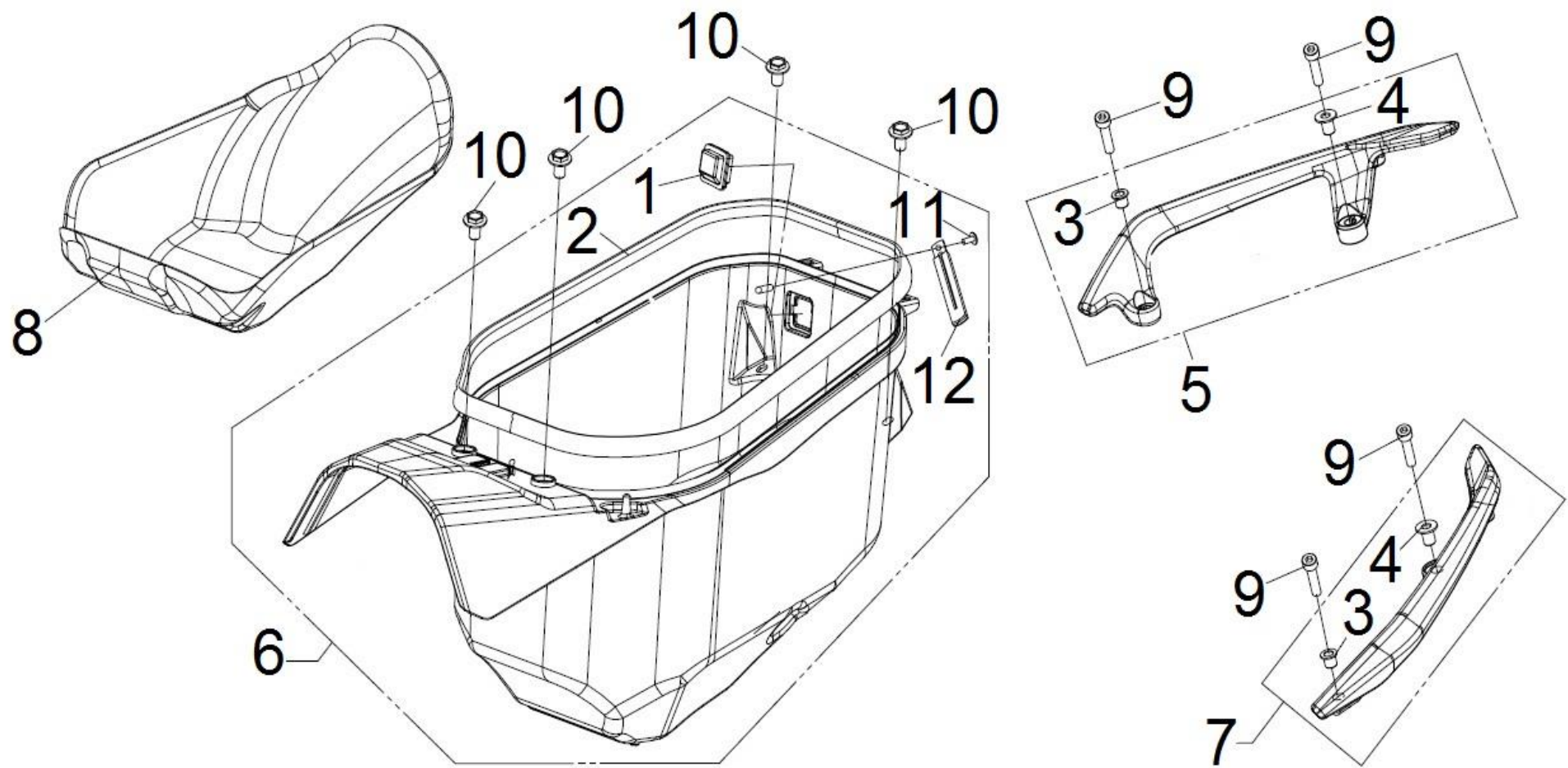


圖面僅供參考
Pictures reference only

NO	PARTS NUMBER	DESCRIPTION	QTY	REMARK
1	77249-TL1-000	FUEL CAP SRG. PLATE	1	
2	7724A-TL1-000	FUEL CABLE SUPPORT ASSY.	1	
3	80150-TL1-000-KA	FUEL TANK COVER BK-001U	1	
4	80152-TL1-000-KA	CENTER COVER BK-001U	1	
5	80153-TL1-000	R. CENTER COVER SPONGE	1	
6	80154-TL1-000	L. CENTER COVER SPONGE	1	
7	80155-TL1-000	SPONGE	2	
8	80156-TL1-000	CENTER COVER SPONGE	1	
9	90102-TL1-900	HEX. SOCKET TAPPING SCREW 4*14	2	
10	93903-34280	TAPPING SCREW 4*10	3	

●Please check the color & stripe information according to the color index !

行李箱 / 後架 LUGGAGE BOX ASSY / RR. CARRIER



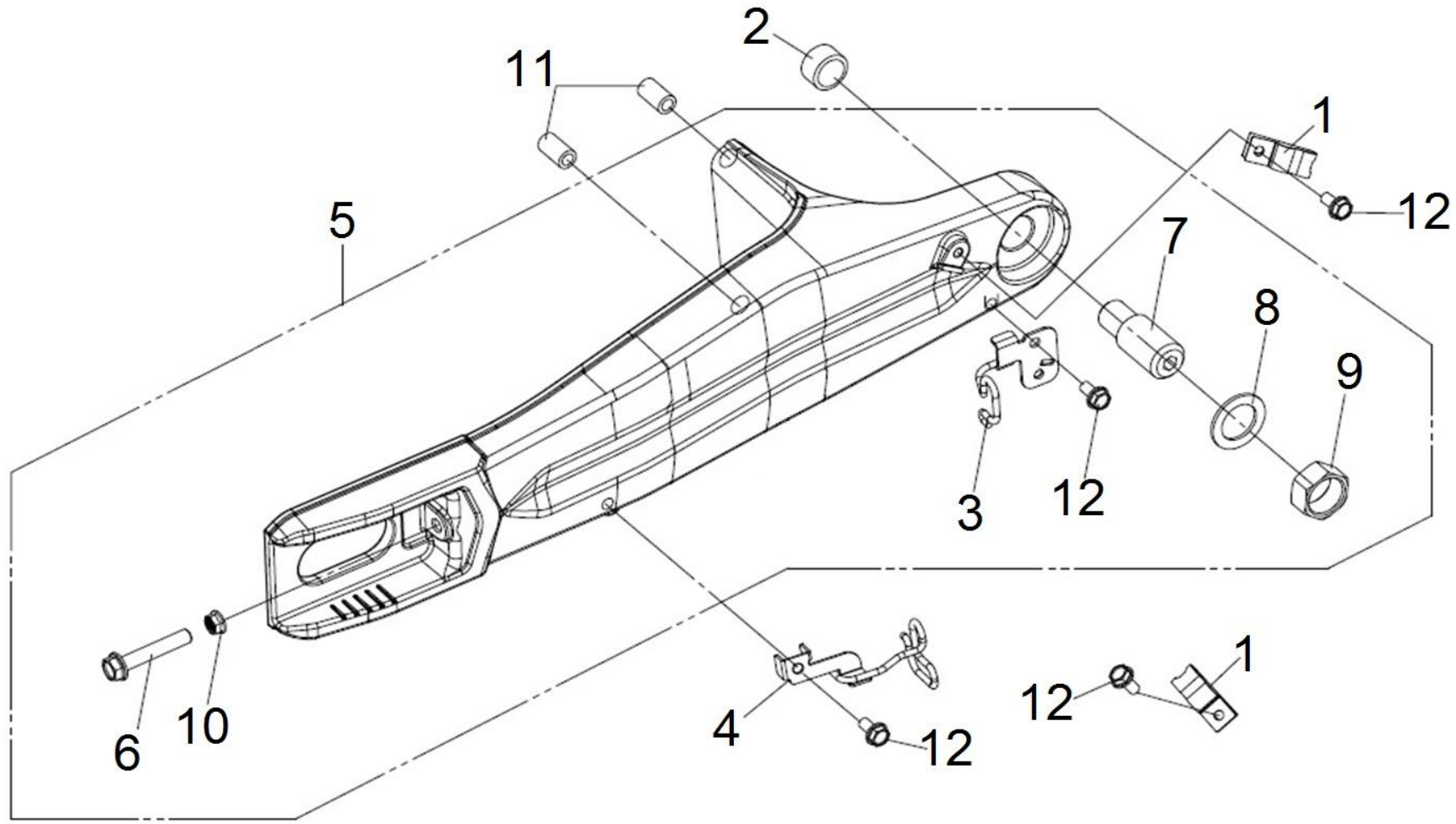
圖面僅供參考

Pictures reference only

NO	PARTS NUMBER	DESCRIPTION	QTY	REMARK
1	35370-L4A-000	LUGGAGE BOX LIGHT ASSY.	1	
2	77115-TL1-000	LUGGAGE BOX RUBBER	1	
3	81201-AVA-000	RR. CARRIER COLLAR	2	
4	81202-TL1-000	RR. CARRIER COLLAR	2	
5	8120A-TL1-000-KB	R. RR. CARRIER ASSY BK-001C	1	KB - Black
6	8125A-TL1-000	LUGGAGE BOX ASSY.	1	
7	8130A-TL1-000-KB	L. RR. CARRIER ASSY BK-001C	1	KB - Black
8	83630-TL1-000	LUGGAGE BOX MAT	1	
9	90105-M92-000	SPECIAL BLOT 8mm	4	
10	93404-06012-07	WASHER BOLT 6*12	4	
11	93903-44380	TAPPING SCREW 4*12	1	
12	94591-25000	CLIP 2*50	1	

●Please check the color & stripe information according to the color index !

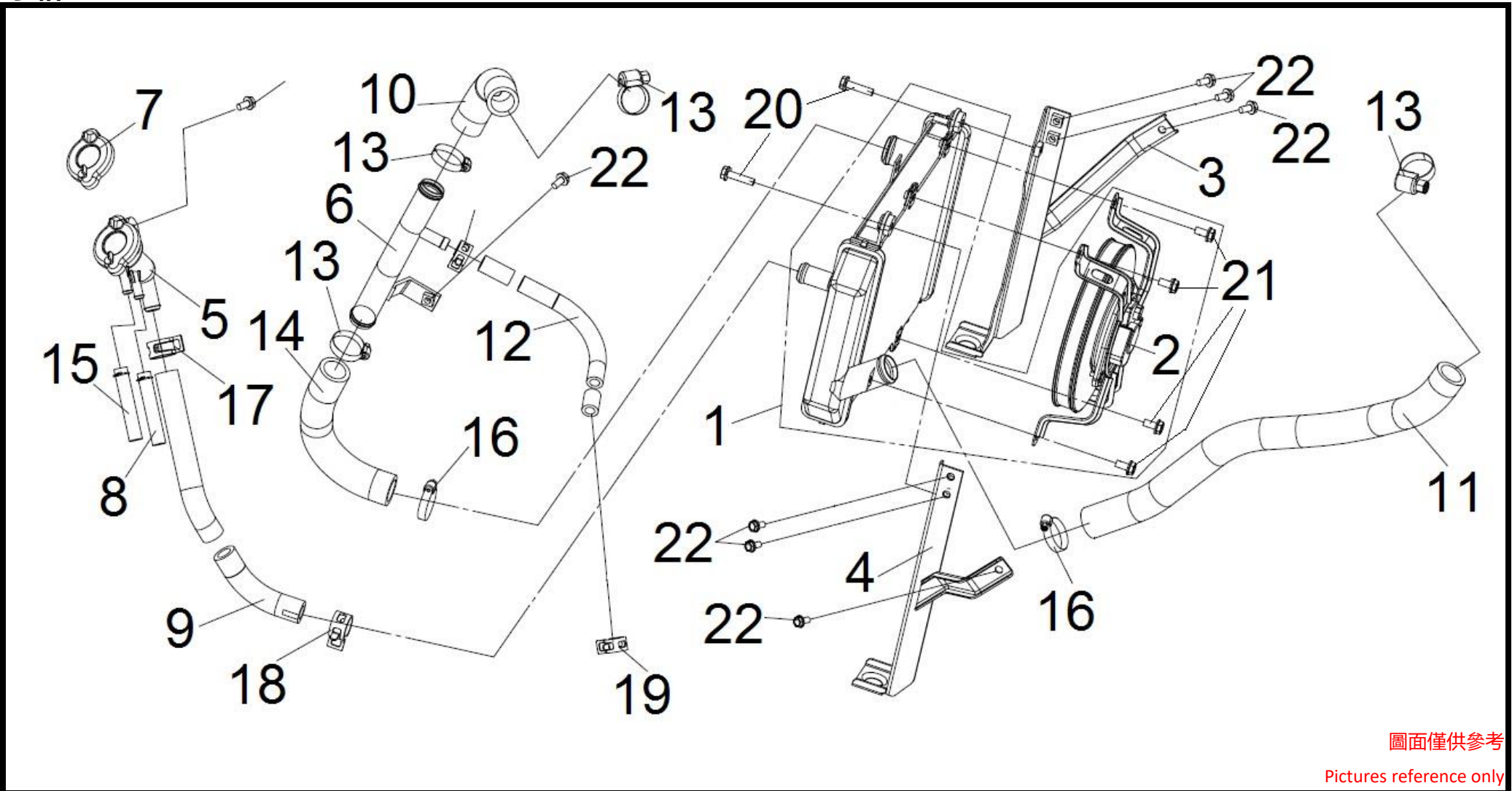
右後懸臂(黑) R. SWING ARM ASSY



圖面僅供參考
Pictures reference only

NO	PARTS NUMBER	DESCRIPTION	QTY	REMARK
1	45156-HJA-000	SENSOR HOSE CLAMP A	2	
2	52112-TL1-000	R. PIVOT COLLAR	1	
3	52113-TL1-000	R. RR. FORK CABLE STAY B	1	
4	52114-TL1-000	R. RR. FORK CABLE STAY C	1	
5	5211A-TL1-000	R SWING ARM ASSY BK-001C	1	
6	90103-TL1-000	HEX BOLT 8*45	1	
7	90302-TL1-000	R. PIVOT BOLT	1	
8	90303-TL1-000	PIVOT BOLT WASHER	1	
9	90304-TL1-000	NUT M22*1.5	1	
10	94050-08000	FLANGE NUT 8mm	1	
11	94301-12160	DOWEL PIN 12*16	2	
12	95801-06012-07	FLANGE BOLT 6*12	4	

●Please check the color & stripe information according to the color index !

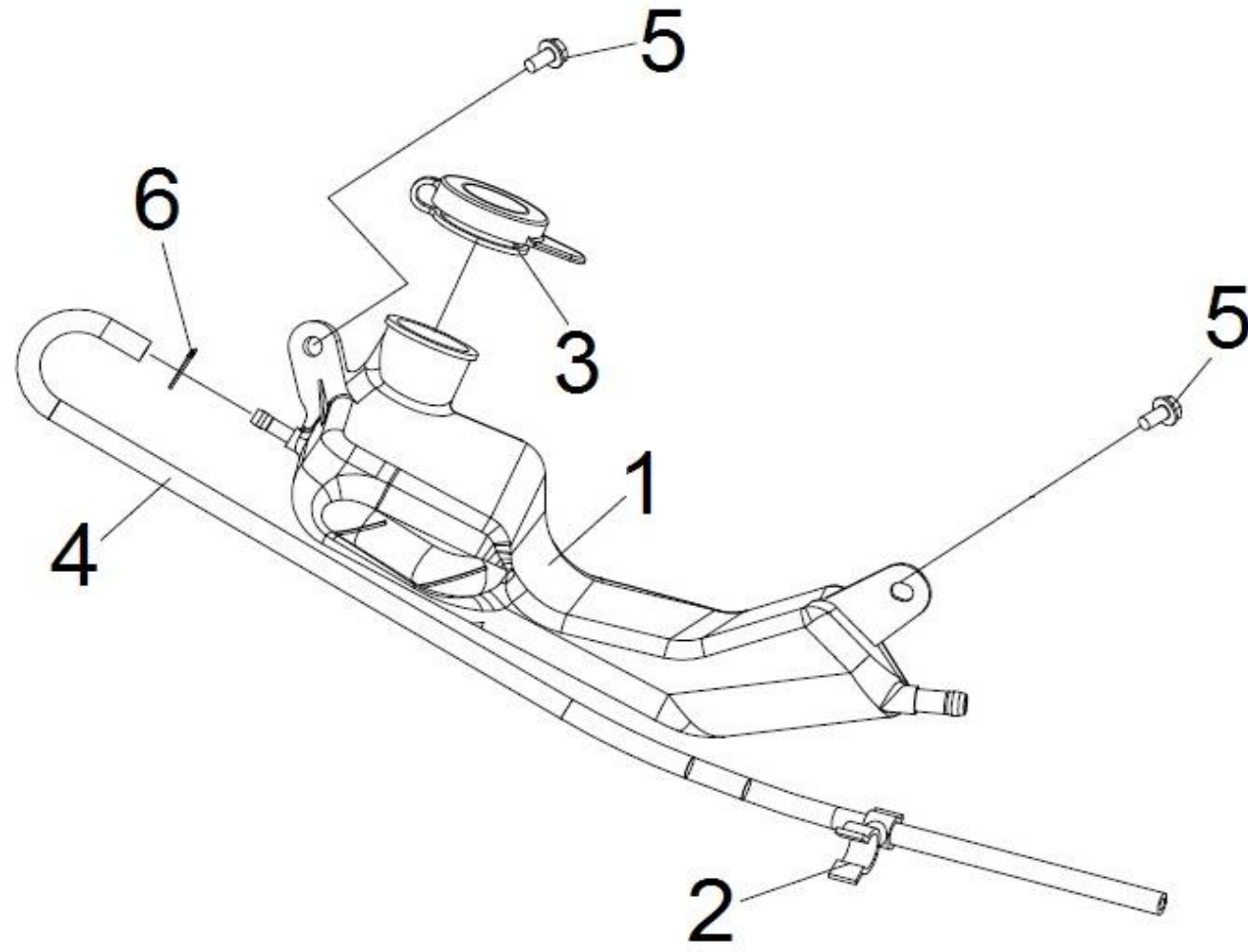


圖面僅供參考
Pictures reference only

NO	PARTS NUMBER	DESCRIPTION	QTY	REMARK
1	19000-TL1-000	RADIATOR ASSY.	1	
2	19005-TL1-000	SHROUND ASSY.	1	
3	19020-TL1-000	R. RADIATOR MOUNTING BRKT.	1	
4	19021-TL1-000	L. RADIATOR MOUNTING BRKT.	1	
5	19039-H9A-000	FILLER NECK	1	
6	19110-TL1-000	WATER PIPE COMP.	1	
7	19111-H9A-900	RADIA FILLER CAP COMP.	1	
8	19124-TL1-000	FILLER NECK-ENG. HOSE	1	
9	19125-TL1-000	RADIATOR HOSE	1	
10	19502-TL1-000	WATER PIPE B	1	
11	19503-TL1-000	RADIATOR HOSE C	1	
12	19504-TL1-000	WATER PIPE C	1	
13	19505-REA-000	HOSE CLAMP	4	
14	19505-TL1-000	WATER PIPE A	1	
15	19507-TL1-000	RESERVE TANK-FILLER NECK HOSE	1	
16	19511-REA-000	CLIP WATER HOSE	2	
17	90682-SB0-671	CNSTR HOSE CLAMP	1	
18	91405-SS0-003	WATER HOSE CLAMP	1	
19	91407-SA7-003	FUEL HOSE CLAMP 17.0	2	
20	93401-06025-07	WASHER BOLT 6/25	2	
21	93404-06016-07	WASHER BOLT 6*16	4	
22	95801-06012-07	FLANGE BOLT 6*12	8	

●Please check the color & stripe information according to the color index !

副水箱 RESERVE TANK

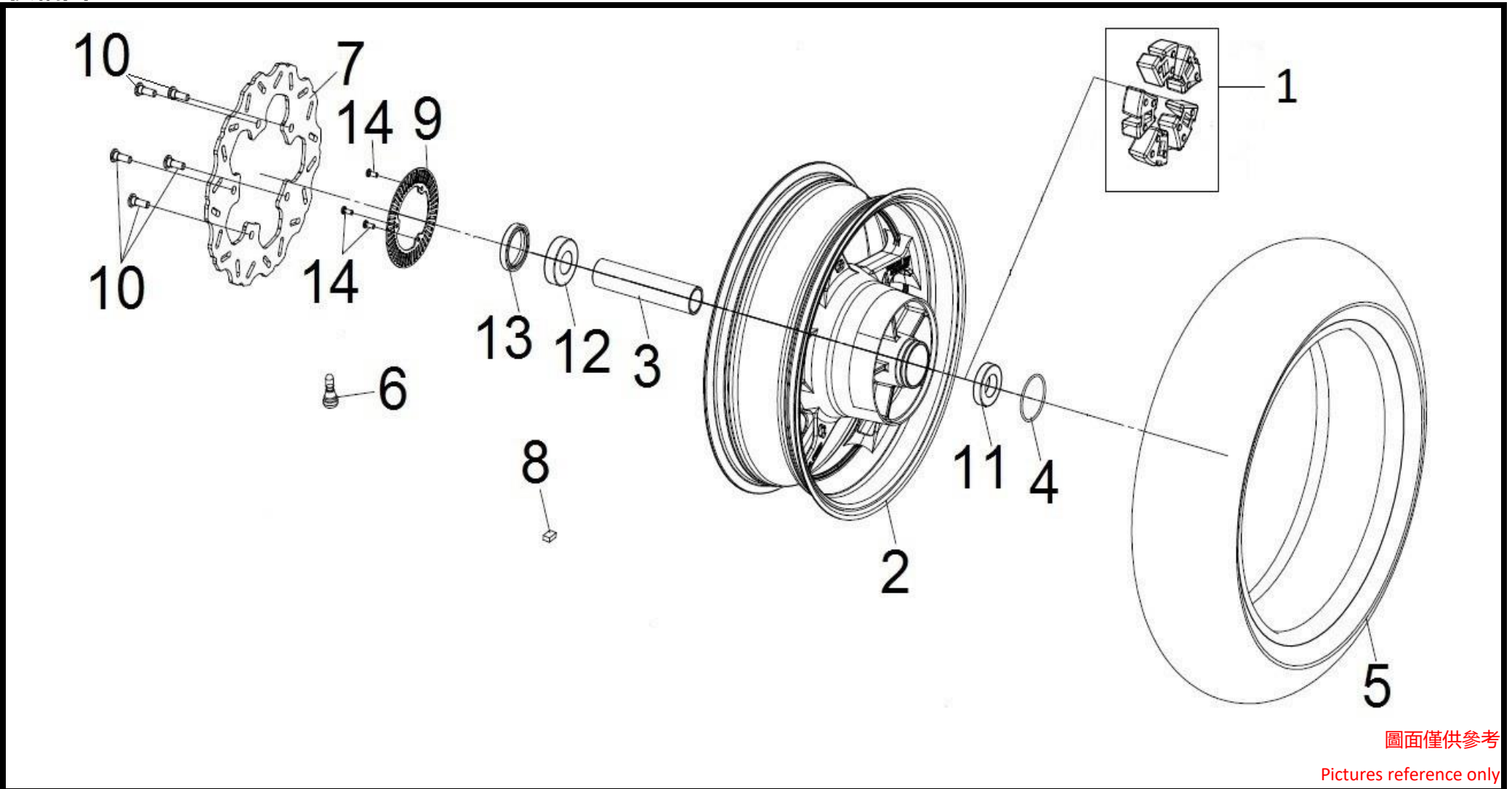


圖面僅供參考
Pictures reference only

NO	PARTS NUMBER	DESCRIPTION	QTY	REMARK
1	19101-TL1-000	RESEVER TANK	1	
2	19102-L4A-000	TUBE CLAMP	1	
3	19104-M9Q-000	TANK RESEVER CAP	1	
4	19109-TL1-000	RESEVER TANK TUBE	1	
5	93401-06016-07	WASHER BOLT 6*16	2	
6	95002-45000	CLIP TUBE C8	1	

●Please check the color & stripe information according to the color index !

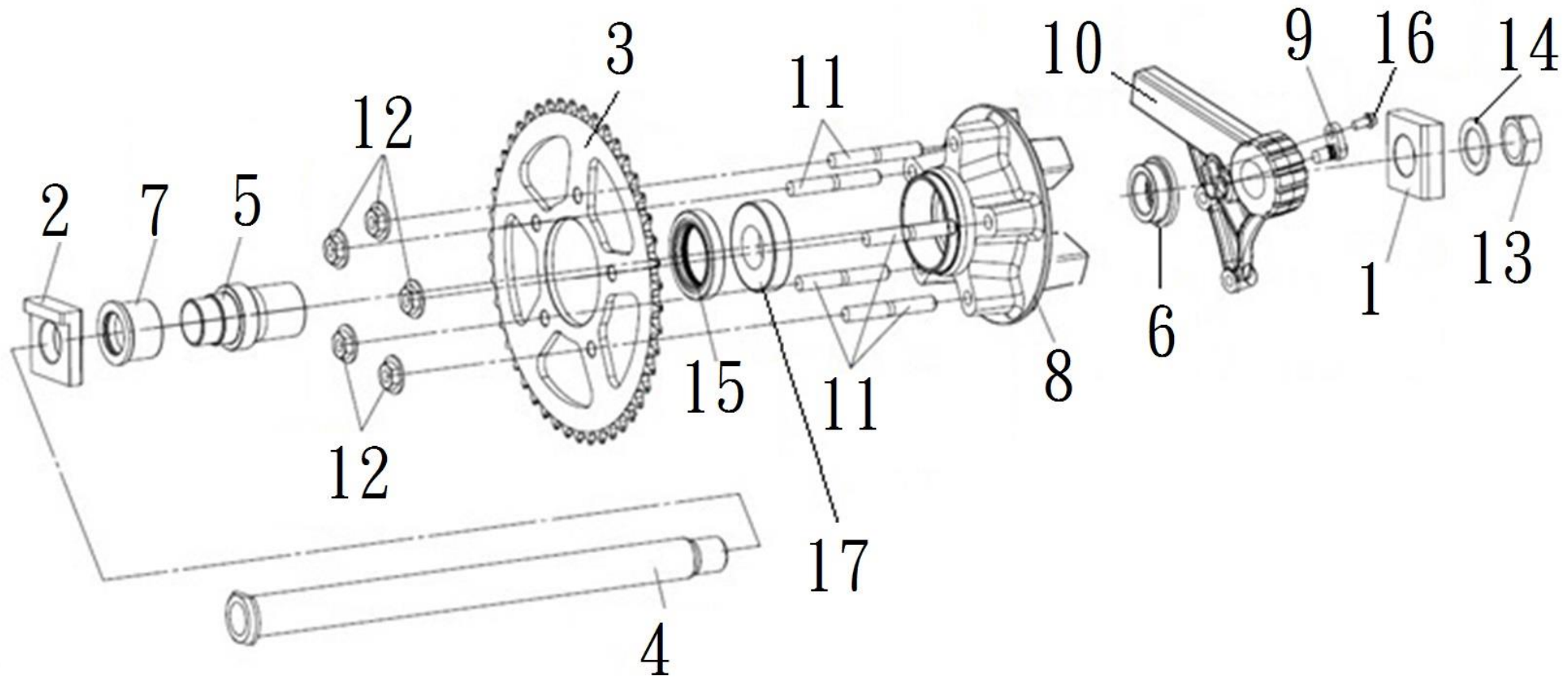
後輪圈 RR. WHEEL ASSY



NO	PARTS NUMBER	DESCRIPTION	QTY	REMARK
1	41241-TL1-000-A	RR. WHEEL DAMPER (5PCS/SET)	1	
2	42601-TL1-000-JD	RR CASTING WHEEL COMP BK-7C	1	JD - Black
3	42620-TL1-000	RR. WHEEL DIST. COLLAR	1	
4	42653-TL1-000	O RING 52.07*62	1	
5	42710-TL1-001	RR. TIRE ASSY.(160/60-15)	1	
6	42753-KBN-902	RIM VALVE	1	
7	43121-TL1-000	RR. BRAKE DISK BK-001C	1	
8	44720-H9A-000	BALANCE WEIGHT	1	
9	45120-TL1-000	ABS DETECTIVE DISK	1	
10	90105-KR3-000	FR. DISK BOLT 8*24	5	
11	90913-TL1-000	RADIAL BALL BEARING 60/28 LUU	1	
12	90914-TL1-000	RADIAL BALL BEARING 62/28 LUU	1	
13	91206-TL1-000	OIL SEAL 40*58*8	1	
14	93500-L4C-000	NYLOK PAN SCREW 5*12	3	

●Please check the color & stripe information according to the color index !

後輪鼓總成 FINAL DRIVEN ASSY.

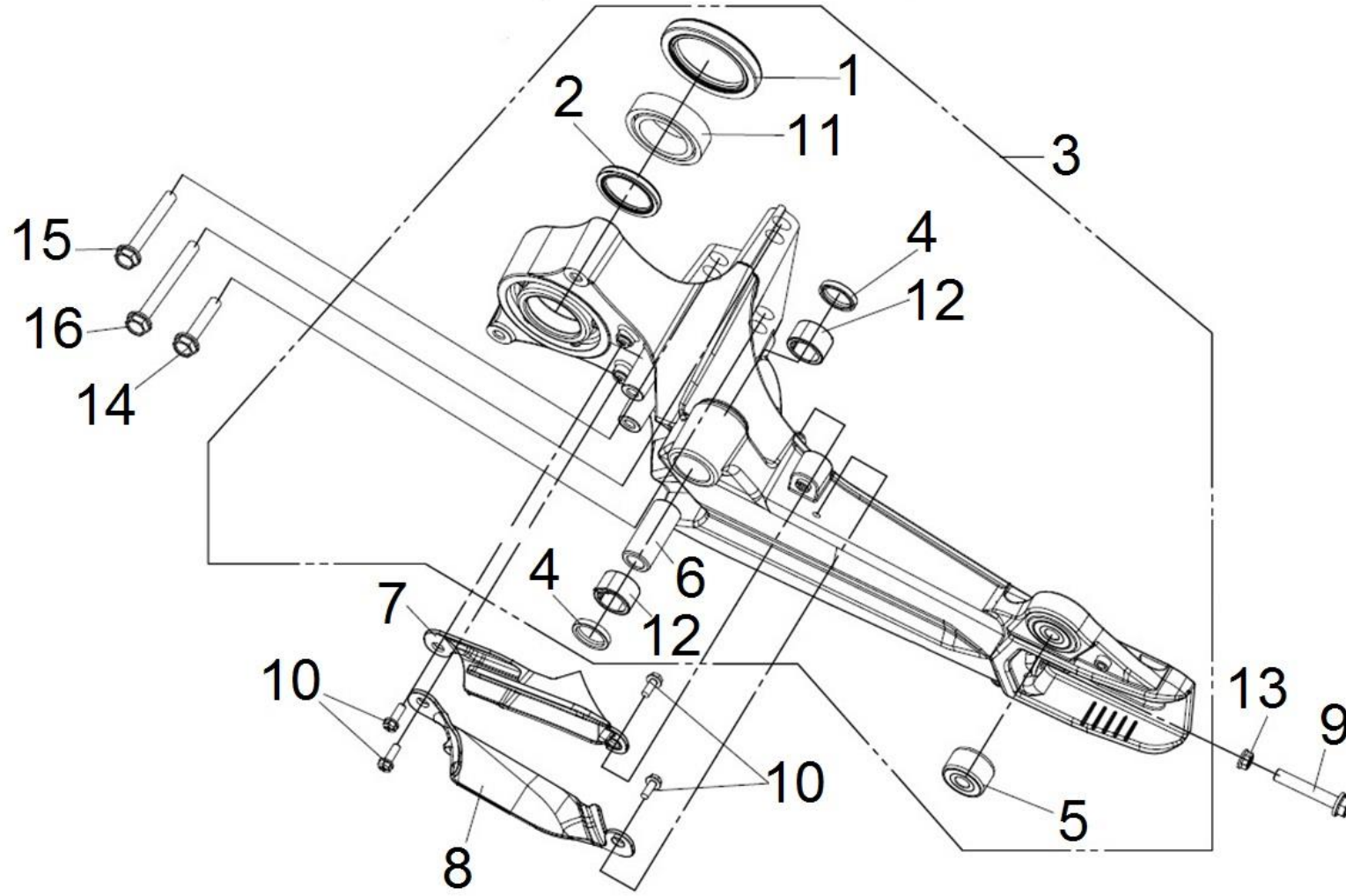


圖面僅供參考
Pictures reference only

NO	PARTS NUMBER	DESCRIPTION	QTY	REMARK
1	40547-TL1-000	R. AXLE FIXED WASHER	1	
2	40548-TL1-000	L. AXLE FIXED WASHER	1	
3	41201-TL1-000	FINAL DRIVEN SPROCKET (46T)	1	
4	42301-TL1-000	RR. WHEEL AXLE	1	
5	42303-TL1-000	REAR AXLE SLEEVE	1	
6	4231A-TL1-000	R. RR. WHEEL SIDE COLLAR ASSY	1	
7	4231B-TL1-000	L. RR. WHEEL SIDE COLLAR ASSY	1	
8	42610-TL1-000-JD	FINAL DRIVEN FLANGE BK-7C	1	JD - Black
9	44870-L4C-000-CN1	ABS. SPEED SENSOR	1	
9.1	44910-L4C-000	ABS. RUBBER BUSH	1	
10	52105-TL1-000	RR BRAKE BRKT	1	
11	90110-B8G-000	STUD BOLT 10*39.5	5	
12	90305-BD2-000-K1	U NUT 10mm	5	
13	90307-TL1-000	U NUT M24X1.5	1	
14	90504-TL1-000	RR. AXLE WASHER	1	
15	91203-TL1-000	OIL SEAL 40*62*10	1	
16	95801-06014-07	FLANGE BOLT 6*14	1	
17	96150-60070-10	RADIAL BALL BRG. 6007UU	1	

●Please check the color & stripe information according to the color index !

左後懸臂總成(黑) L. SWING ARM ASSY

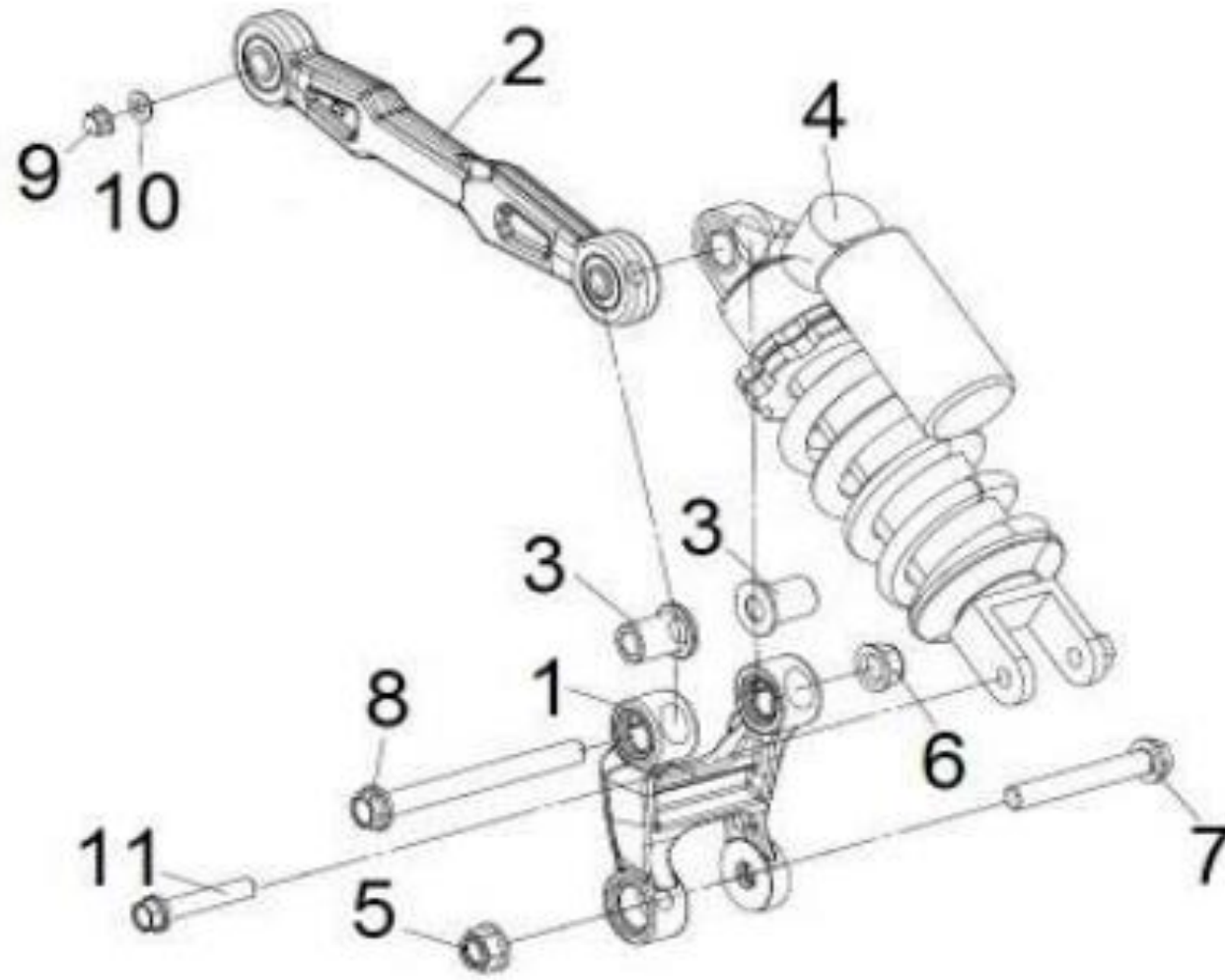


圖面僅供參考
Pictures reference only

NO	PARTS NUMBER	DESCRIPTION	QTY	REMARK
1	52122-TL1-000	OIL SEAL 50*70*9	1	
2	52123-TL1-000	OIL SEAL 30*45*5	1	
3	5212E-TL1-000	L SWING ARM ASSY BK-001C	1	
4	52133-TL1-000	OIL SEAL 20*26*4	2	
5	52141-TL1-000	RUBBER BUSH	1	
6	52152-TL1-000	NEEDLE BEARING COLLAR B	1	
7	52170-TL1-000	UPPER CHAN SLIDER	1	
8	52171-TL1-000	LOWER CHAN SLIDER	1	
9	90103-TL1-000	HEX BOLT 8*45	1	
10	90302-M9Q-0000	WASHER BOLT 5*12	4	
11	90915-TL1-000-A	TAPERED BEARING 32907XU SET	1	
12	91003-RB1-000	NEEDLE BEARING HK2016	2	
13	94050-08000	FLANGE NUT 8mm	1	
14	95801-10050-07	BOLT FLANGE 10*50	1	
15	95801-10075-07	FLANGE BOLT 10*75	1	
16	95801-10120-07	FLANGE BOLT 10*120	1	

●Please check the color & stripe information according to the color index !

後避震 RR. CUSSION SYSTEM

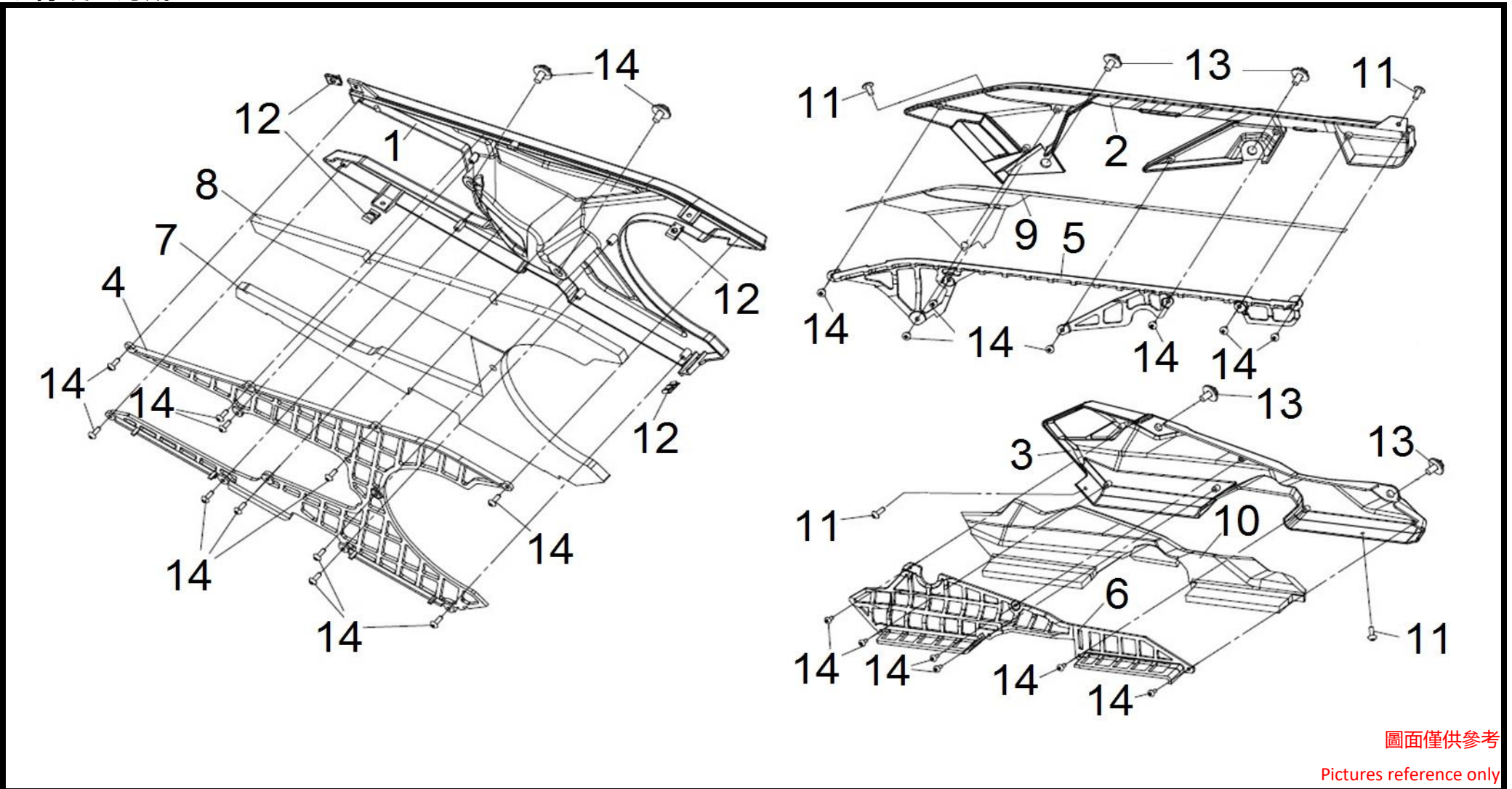


圖面僅供參考
Pictures reference only

NO	PARTS NUMBER	DESCRIPTION	QTY	REMARK
1	5213A-TL1-000	RR. CUSSION ROCKER ASSY. BK-001C	1	
2	5214A-TL1-000	PUSH ROD ASSY BK-7C	1	
2.1	52141-TL1-000	RUBBER BUSH	1	
3	52154-TL1-000	NEEDLE BEARING COLLAR A	2	
4	52400-TL1-000	RR. CUSHION ASSY BK-001C	1	
5	90304-M9Q-800	FLANGE U NUT 10mm	1	
6	90306-M9Q-900	SELF-LOCK NUT 12mm	1	
7	92201-10075-0G	HEXAGON HEAD BOLT 10*75	1	
8	92601-12120-0A	CAP BOLT 12*120	1	
9	94021-10020-0S	CAP NUT 10mm	1	
10	94101-10000	PLAIN WASHER 10mm	1	
11	95801-12040-07	FLANGE BOLT 12*40	1	

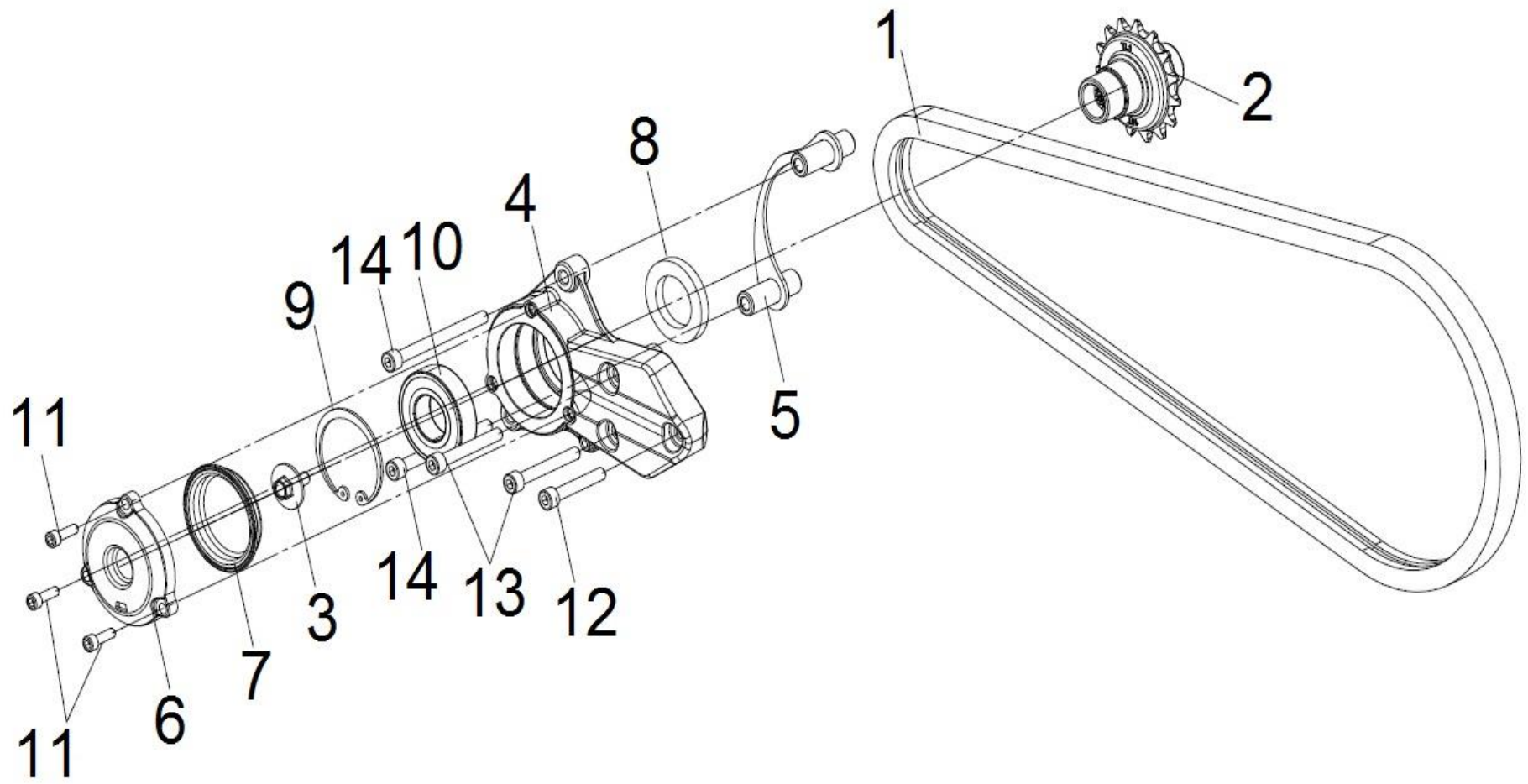
●Please check the color & stripe information according to the color index !

鏈條護蓋總成 DRIVE CHAIN COVER ASSY.



NO	PARTS NUMBER	DESCRIPTION	QTY	REMARK
1	40510-TL1-000	DRIVE CHAIN COVER	1	
2	40511-TL1-000	UP. DRIVE CHAIN COVER	1	
3	40512-TL1-000	LWR. DRIVE CHAIN COVER	1	
4	40513-TL1-000	DRIVE CHAIN PLATE	1	
5	40514-TL1-000	UP. DRIVE CHAIN PLATE	1	
6	40515-TL1-000	LWR. DRIVE CHAIN PLATE	1	
7	40516-TL1-000	CHAIN COVER INSULATOR A	1	
8	40517-TL1-000	CHAIN COVER INSULATOR D	1	
9	40519-TL1-000	CHAIN COVER INSULATOR B	1	
10	40520-TL1-000	CHAIN COVER INSULATOR C	1	
11	90102-TL1-900	HEX. SOCKET TAPPING SCREW 4*14	4	
12	90302-V02-000	SPRING NUT 4mm	4	
13	93401-06012-07	WASHER BOLT 6*12	6	
14	93903-34280	TAPPING SCREW 4*10	24	

●Please check the color & stripe information according to the color index !

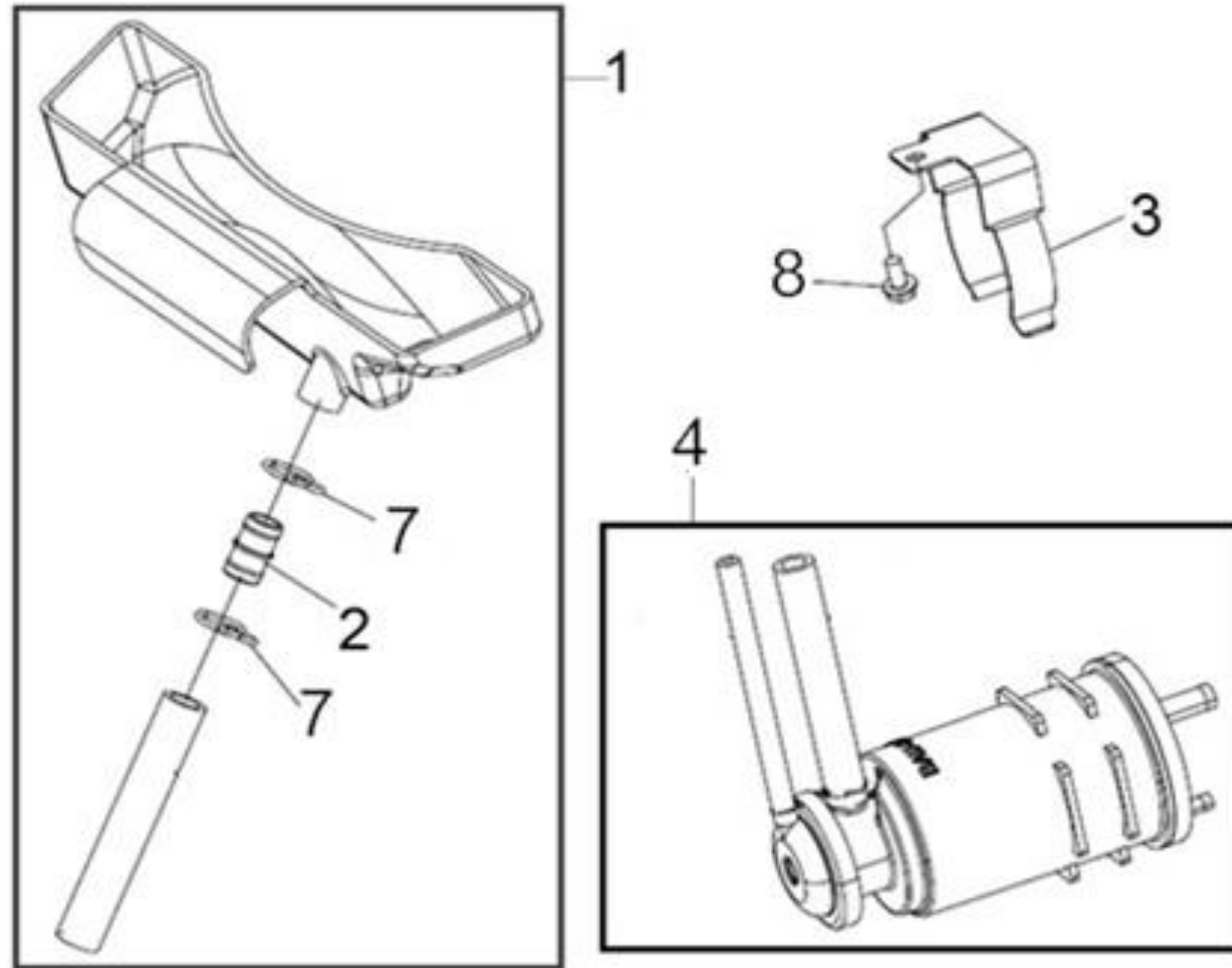


圖面僅供參考
Pictures reference only

NO	PARTS NUMBER	DESCRIPTION	QTY	REMARK
1	40530-TL1-000	DRIVE CHAIN	1	
2	41202-TL1-000	DRIVE SPROCKET(15T)	1	
3	41203-TL1-000	DRIVE SPROCKET BOLT M8*16	1	
4	52150-TL1-000	PIVOT HOLDER BK-001C	1	
5	52151-TL1-000	DRIVE CHAIN GUARD	1	
6	52160-TL1-000	SWINGARM PIVOT COVER BK-001C	1	
7	52161-TL1-000	PIVOT HOLDER SEAL	1	
8	91207-TL1-000	DUST SEAL TC 34*55*8	1	
9	94520-62000	CIRCLIP IN. 62	1	
10	96150-62060-10	RADIAL BALL BRG.6206LLU/2AS	1	
11	96700-06020-07	SOCKET BOLT 6*20	3	
12	96700-08040-07	SOCKET BOLT 8*40	1	
13	96700-08050-07	SOCKET BOLT 8*50	2	
14	96700-08090-07	SOCKET BOLT 8*90	2	

●Please check the color & stripe information according to the color index !

活性炭罐總成 CANISTER ASSY.

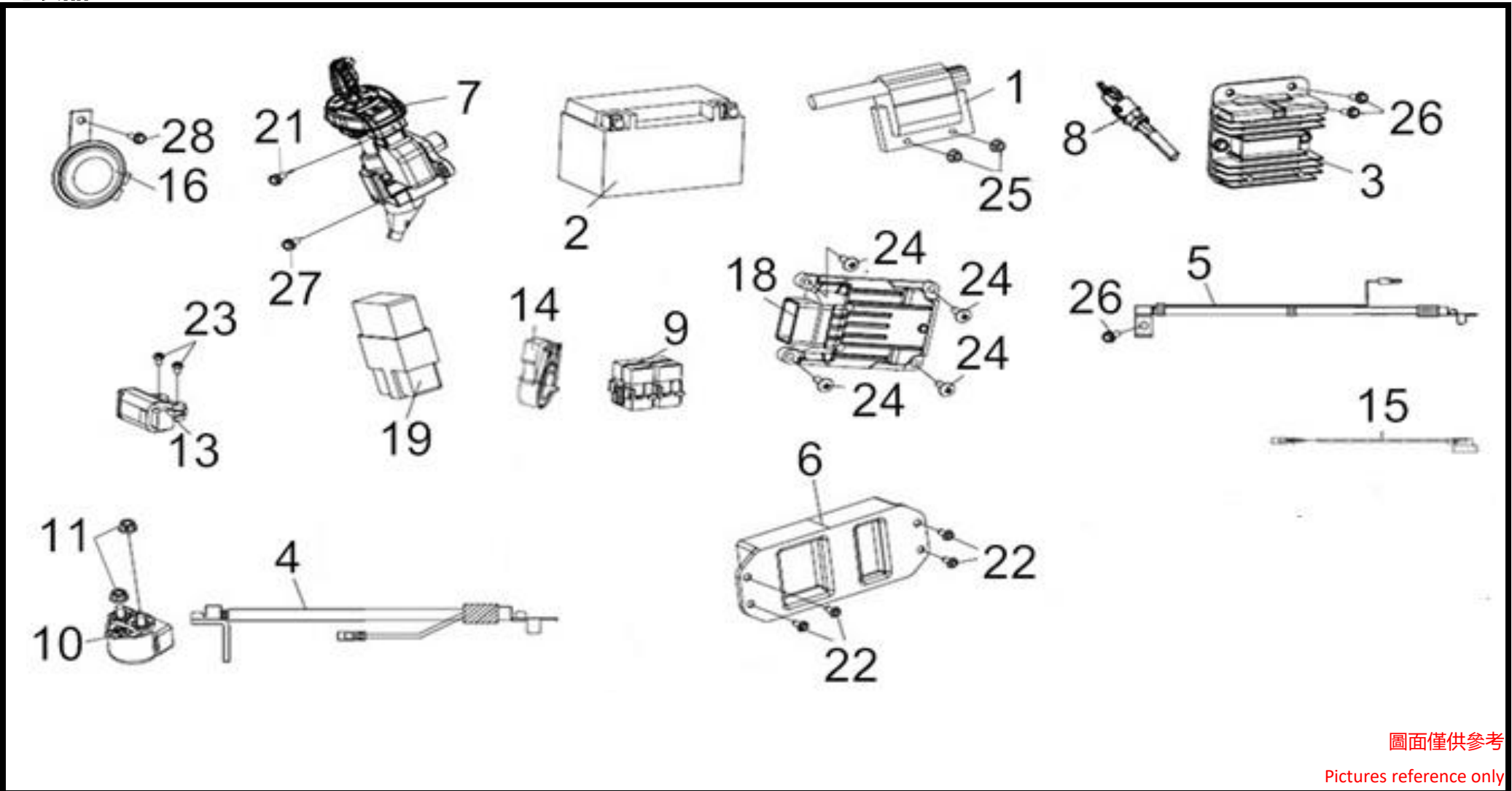


圖面僅供參考
Pictures reference only

NO	PARTS NUMBER	DESCRIPTION	QTY	REMARK
1	17510-TL1-000	FUEL TANK CAP RUBBER ASSY	1	
2	17525-KBN-900	FUEL TUBE JOINT	1	
3	17551-TL1-000	CANISTER CLAMP	1	
4	1756A-TL1-000	CANISTER ASSY.	1	
7	95002-L4A-000	CLIP B13 TUBE	2	
8	95801-06012-07	FLANGE BOLT 6*12	1	

●Please check the color & stripe information according to the color index !

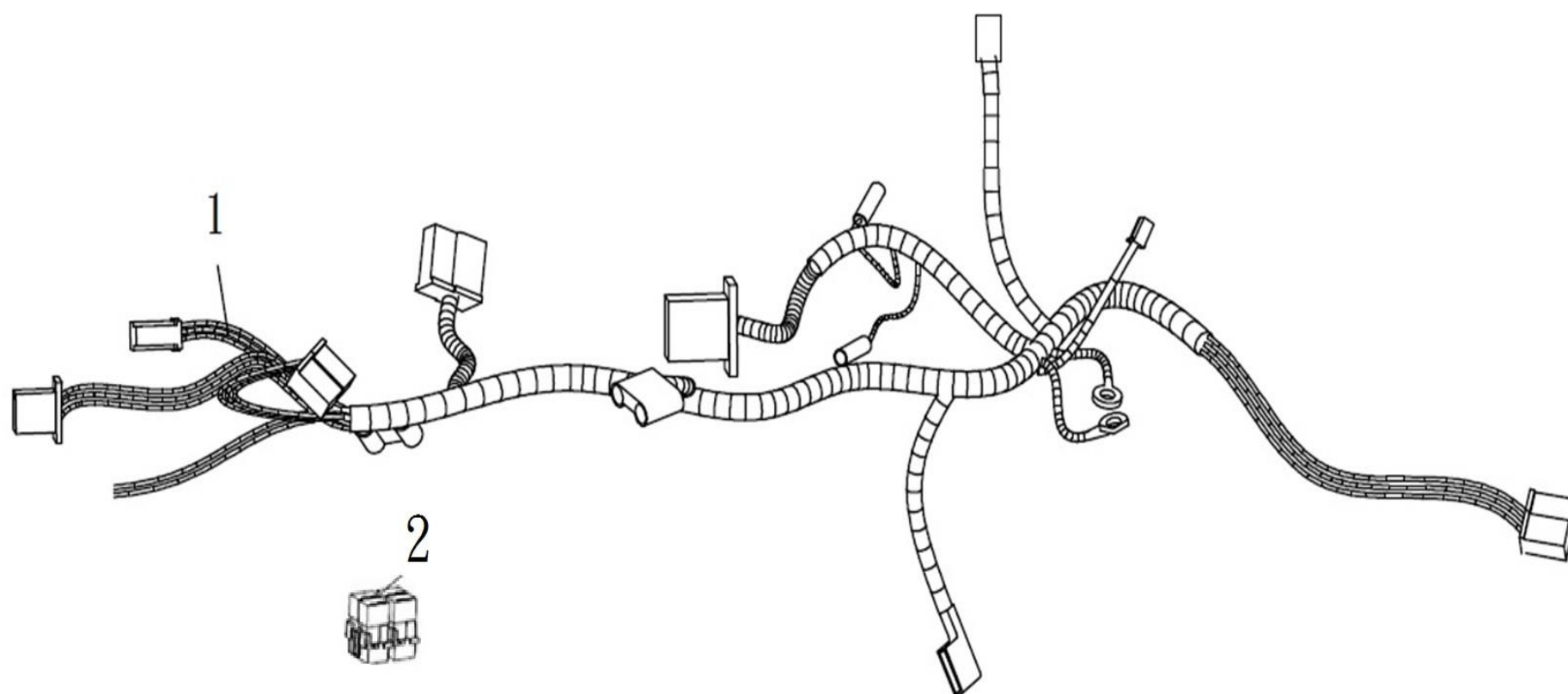
電裝品 ELECTRICAL PARTS



圖面僅供參考
Pictures reference only

NO	PARTS NUMBER	DESCRIPTION	QTY	REMARK
1	3051A-TL1-000	IGN COIL ASSY	2	
2	31500-HKK-020-P	BATTERY ASSY.	1	
3	31600-HJA-900	REG. REC SET	1	
4	32411-TL1-000	BATTERY CABLE	1	
5	32412-TL1-000	EARTH CABLE A	1	
6	33110-TL1-000	HI/LO BEAM DRIVER	1	
7	35010-TL1-000-TW	KEY SET (NO CABLE)	1	
7.1	35110-F91-000-A21~A40	SHUTTER COMP.	1	
7.2	35111-F91-000-A21~A40	KEY COMP.	1	
7.2	35111-F91-000-C21~C40	KEY COMP.	1	
8	35345-L3A-000	SEAT OPEN LAMP SW.	1	
9	35850-F91-000	ELEC. RELAY	4	
10	35850-L4A-000	STARTER MAG. SW. COMP	1	
11	35859-M9Q-000	MAG. SW. NUT	2	
13	36100-MMA-100-A1	ROLL OVER SENSOR ASSY	1	
14	36500-F91-000	SIDE STAND SW. COMP	1	
15	37275-L4A-000	OIL PRESSURE SUB CORD	1	
16	38110-L4A-000	HORN COMP	1	
18	38710-TL1-000-03	ECU ASSY	1	Effective from 2020/1/20
19	3872A-TL1-000	HAZARD CONTROL UNIT ASSY.	1	
21	90085-HHA-900	SELF LOCKING BOLT 6*16	1	
22	93401-05012-07	WASHER BOLT 5*12	4	
23	93891-04022-08	SCREW WASHER 4*22	2	
24	93903-34480	TAPPING SCREW 4X16	4	
25	94050-04000	FLANGE NUT 4mm	4	
26	95801-06012-07	FLANGE BOLT 6*12	3	
27	95801-06016-08	FLANGE BOLT 6*16	1	
28	95801-08012-07	FLANGE BOLT 8*12	1	

●Please check the color & stripe information according to the color index !



圖面僅供參考
Pictures reference only

NO	PARTS NUMBER	DESCRIPTION	QTY	REMARK
1	32100-TL1-000	WIRE HARNESS	1	
2	35850-F91-000	ELEC. RELAY	4	

●Please check the color & stripe information according to the color index !